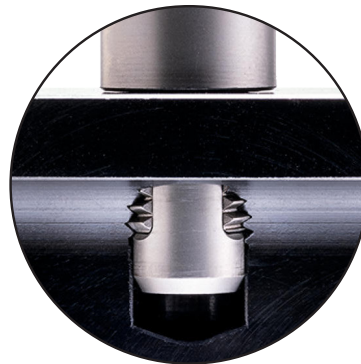


THE WORLD'S FIRST: THREADED LIFTING PINS FROM HALDER

Process-optimized lifting of loads - safely.



Lifting pins and threaded lifting pins are quick and easy to use, robust support elements that can be used to safely lift loads as well. The proven lifting pin is already well-known and has proven itself

many times in industrial use. **The threaded lifting pin, however, is a real world's first:** Only a matching metric thread is therefore needed for fastening in the workpiece.

FUNCTIONALITY OF THE THREADED LIFTING PIN

1. The movable shackle on the lifting pin is folded back.
2. The carrying thread retracts at the push of a button and can be inserted in the internal thread.
3. By loosening the knob, the carrying thread anchors itself in the internal thread.
4. The threaded lifting pin must be screwed in by hand until it stops.
5. The load can be raised – it can also be done from different angles thanks to the movable shackle.

ADVANTAGES

- Maximum bearing load 840 kg at M16
- Only one suitable threaded is required
- Easy assembly at the push of a button, without screwing in
- 85% time savings during assembly and disassembly compared to eye bolts
- Easy to reuse
- Safely lift from various positions/angles
- Certified safety according to TÜV Süd (CE mark)

THE WORLD'S FIRST: THREADED LIFTING PINS FROM HALDER

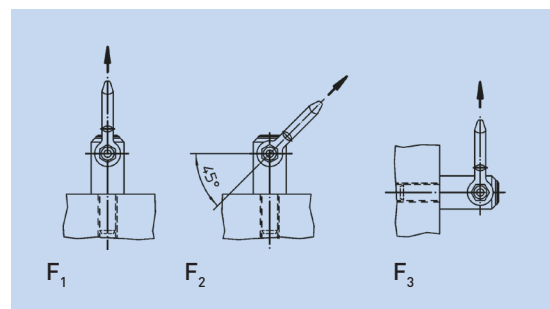
Process-optimized lifting of loads - safely.

AVAILABLE DESIGNS

| BN | Code | Size | Material | Load capacity [kN] | | |
|-------|------------|------|--|--------------------|----------------|----------------|
| | | | | F ₁ | F ₂ | F ₃ |
| 13400 | 22352.0008 | M8 | Quenched and tempered steel, quenched and tempered, manganese-phosphated | 2.1 | 0.9 | 0.8 |
| | 22352.0010 | M10 | | 3.9 | 1.5 | 1.5 |
| | 22352.0012 | M12 | | 6.2 | 2.5 | 2.3 |
| | 22352.0014 | M14 | | 7.8 | 4.2 | 2.9 |
| | 22352.0016 | M16 | | 8.4 | 4.5 | 4.2 |
| | 22352.0020 | M20 | | 16.6 | 7.7 | 5.8 |
| | 22352.0024 | M24 | | 23.0 | 11.1 | 8.6 |
| 13401 | 22352.1008 | M8 | Stainless steel 1.4542, precipitation-hardened | 2.1 | 0.9 | 0.8 |
| | 22352.1010 | M10 | | 3.9 | 1.5 | 1.5 |
| | 22352.1012 | M12 | | 6.2 | 2.5 | 2.3 |
| | 22352.1016 | M16 | | 8.4 | 4.5 | 4.2 |
| | 22352.1020 | M20 | | 10.0 | 7.7 | 5.8 |
| | 22352.1020 | M24 | | 23.0 | 11.1 | 8.6 |

SAFETY FIRST

1. The product and usage safety has been documented by TÜV Süd (CE mark).
2. Every single threaded lifting pin comes with operating instructions with the CE declaration of conformity.
3. A safety bar prevents unintentional loosening.
4. There are two corrosion-protected designs.



You can find more information and the operating instructions on our website.

Or talk to us! Your local contact is looking forward to hearing from you.

SCAN ME

