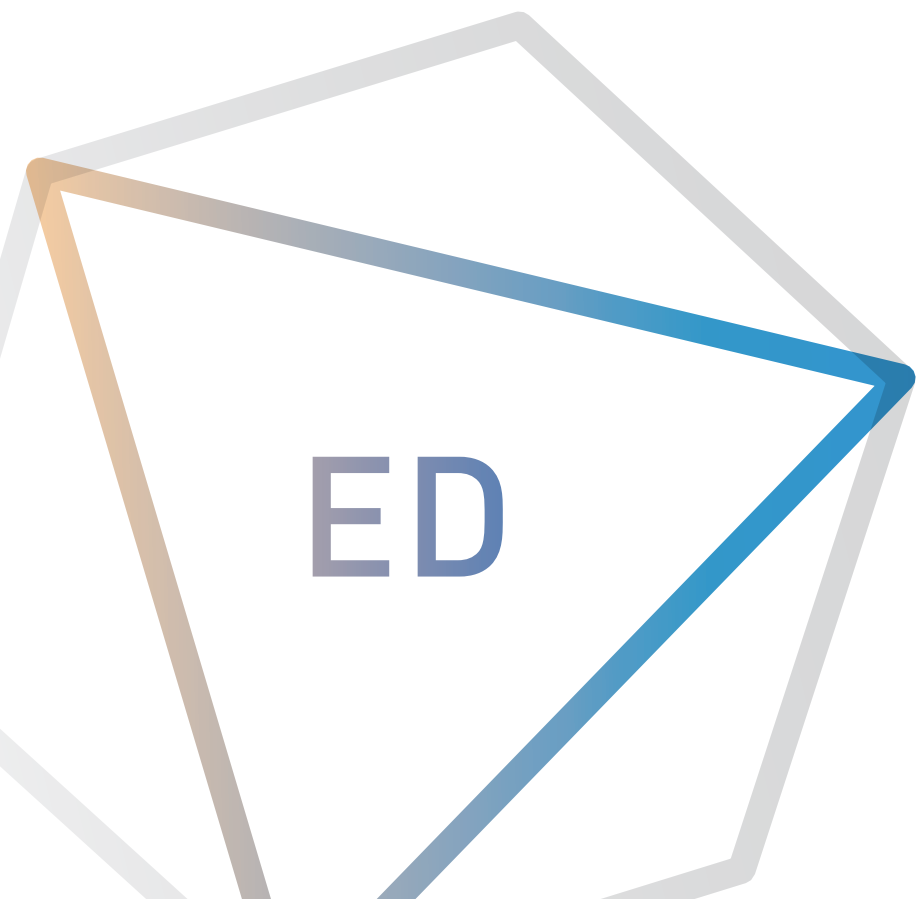




Expert Design

Assembly Technology Expert



EXPERT DESIGN

Content

| | |
|---|---|
| What it is about? | 4 |
| Design Consulting | 5 |
| Fastening Joint Design | |
| Calculation of Bolted Joint (VDI 2230) | |
| Joint Failure Analysis | |
| Design Platform | |
| Online Calculators & Converters for Fasteners | 6 |
| T-Section | 7 |
| CAD Suite (CAD Online Portal) | 8 |



«Design your product focusing on fasteners from the very beginning. Bossard's knowledge of assembly methodologies, fastening joints and technical resources can be the game changer for your product success.»



EXPERT DESIGN

What it is about?

Designing a safe, high-quality product, all while your competition increases the time pressure remains a challenge. As trivial as the function of a fastener might be, the requirements are demanding.

The Bossard Expert Design enables you to increase the quality of your end product permanently with recommendations on materials and optimized conditions for assembly or with prototyping. Based on the knowledge of more than 180 years of fastening experience and state-of-the-art access to CAD big data.

We provide you with technical solutions and access to a huge technical database to find the most expedite part for you. To design your best product, the Bossard Expert Design offers you a wide range of consulting support and a platform of technical information and tools.

In the development of your new product you can benefit from various advantages:

- **Better in-place cost:**
Choose the right fastening design
- **Lower production cost** with faster assembly processes
- **Lower cost of life cycle** as a result of having the right quality of fastener

We divide our design offering in two sections:

Design Consulting

- Fastening Joint Design
- Calculation of Bolted Joint (VDI 2230)
- Joint Failure Analysis

Design Platform

- Calculators
- T-Section
- CAD Suite

EXPERT DESIGN

Design Consulting

Design your product with a focus on fastening joints from the very beginning. We help you to find the best solution.

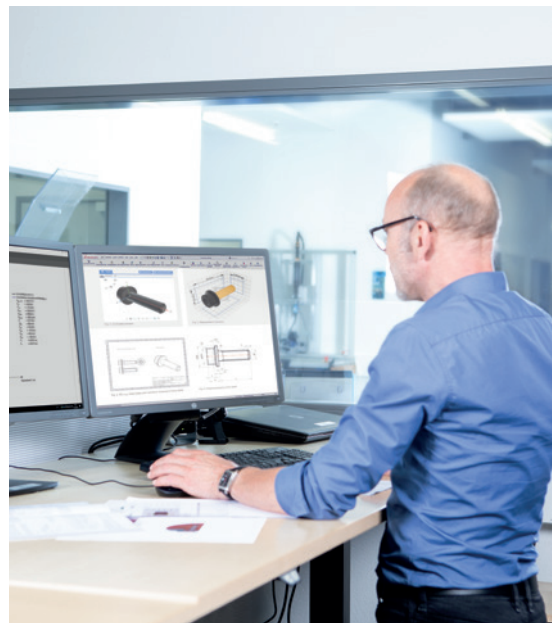
Fastening Joint Design

Buildings, vehicles, machinery, and other physical products of all sizes and shapes are put together by joining components with another. The vast majority among these is assembled with fasteners.

Understanding the design and behaviour of a joint is crucial for the safety, intended lifespan and economic aspects.

Various materials require specific fastening solutions to withstand the condition of the application.

We will help you to design your joint using the right solutions so that the entire fastening joint meet the requirements.



Calculation of Bolted Joint (VDI 2230)

A systematic method organised into calculation steps, for calculating bolted joints to obtain a reliable design which makes extensive use of the bolt's load-bearing capacity.

Our calculations are based on a high-performance software solution for designing and optimizing bolt connections with functional reliability in accordance with VDI guideline 2230.



Joint Failure Analysis

Fastening joints can fail for many reasons. Among the most common causes are incorrect preload, inappropriate joint design and wrong fastener selection.

An analysis of the failed fastening joint can most often reveal what caused the actual failure so that the problem can be eliminated by implementing appropriate measures.

Our fastening experts will help you come to the right decisions and conclusions



EXPERT DESIGN

Design Platform

To design your best product, the Bossard Expert Design offers you a wide range of technical information and tools.



The competitiveness of many companies is in a large degree based on the effective use of technical information. That's why we want to provide the right information to the right people at the right time.

You as our customer can benefit from over 180 years of fastening knowledge in the assembly and fastening technology. Get access to the hidden secrets, integrate them into your processes and position yourself in a leading position in the market. Explore three different sections, packed with technical information about suitable fastening solutions for your product.

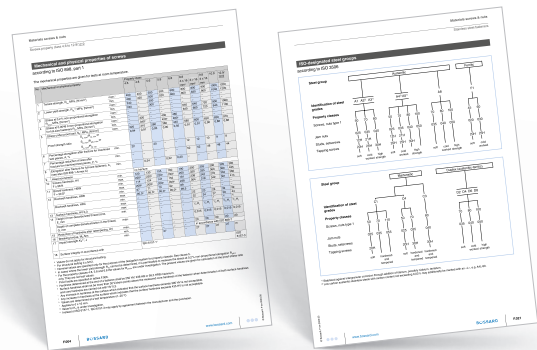
Online Calculators & Converters for Fasteners

Bossard calculators and converters are designed for engineers, technicians, designers and students involved in the development and assembly of bolted joint.



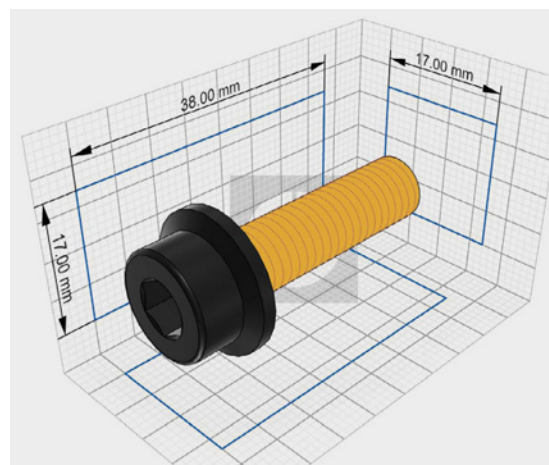
T-Section

Detailed technical information about fastening technology such as tables, tolerances, standards, mechanical properties, Metric ISO threads and much more.



CAD Suite (CAD Online Portal)

The state-of-the-art CAD tool supports your product and design choices with animation, two- and three-dimensional views in varying detail and additional smart features.



www.bossard.com