



bigHead®

Fasteners for embedding and surface bonding

How to find the best product for your need?

The principle of bigHead® fasteners is simple: use them to create secure fastening points on your components. As either a surface bonding or embedding fastener, bigHead® is an ideal solution for invisible fastening with composite & plastic materials or in lightweight applications, without any punching or drilling. Available types include threaded collar, stud, nut, or pin fixings to suit different fastening or assembly functions. The unique product design, and large "Head", facilitates installation after the manufacture of the parent component, "post-process", or during the manufacture, "co-process".



bigHead® product range is divided in two segments:

Core range: A pre-defined product range, supported by usage guidelines and technical data.

Extended range: Selected products, in a wider variety of fixing type and size combinations like noncircular heads, including square and rectangle, further circular head diameters and additional fixings like nuts, nails, loops, pins, etc.

This brochure provides you with a comprehensive overview of the bigHead® assortment.

For more detailed product information, please click on the blue Bossard numbers in the PDF file or visit our Bossard E-shop and type-in the respective Bossard number in the search field:

<https://www.bossard.com/eshop/>

Of course, you can always contact your Bossard representative directly.

Please refer to your local Bossard E-Shop for the current assortment and dimensions. Other variants upon request.

Index

CORE RANGE	6 – 11
Threaded bolt	6
Threaded collar	9
TECHNICAL INFORMATION FOR CORE RANGE	12 – 17
Critical assembly considerations	12
Adhesive bonding core range products	14
Embedding core range products	16
EXTENDED RANGE	18 – 57
Threaded bolt	18
Pin	28
Nail	31
Nut	34
Threaded collar	40
Hook	50
Loop	51
Cable clamp	54
Accessories	55







Loadability limits, installation recommendations and unspecified dimensional tolerances should be reviewed for each application and this information must be requested before starting series production.

All dimensions are specified in mm.
All types are supplied in packaging units of 100 pieces.









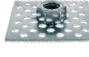

Please refer to your local Bossard E-Shop for the current assortment and dimensions. Other variants upon request.

Product overview

Core range
























Head shape	Threaded bolt	Threaded collar
Round head ø 20 mm		
Round head ø 30 mm		
Rounded corner head ø 38 mm		
Page	6-8	9-11





Extended range

Head shape	Threaded bolt	Threaded collar	Pin	Nail	Nut
Square head 15 x 15 mm					
Square head 32 x 32 mm					
Square head 58 x 58 mm					
Rectangular head 10 x 40 mm					
Page	18-27	40-49	28-30	31-33	34-39

Please refer to your local Bossard E-Shop for the current assortment and dimensions. Other variants upon request.

Extended range

Head shape	Threaded bolt	Threaded collar	Pin	Nail	Nut
Rectangular head 15 x 38 mm					
Round head ø 19 mm					
Round head ø 20 mm					
Round head ø 23 mm					
Round head ø 30 mm					
Rounded corner head ø 38 mm					
Rounded corner head ø 50 mm					
Page	18–27	40–49	28–30	31–33	34–39

Head shape	Hook	Loop	Cable bracket
Square head 32 x 32 mm			
Rounded corner head ø 38 mm			
Page	50	51–53	54

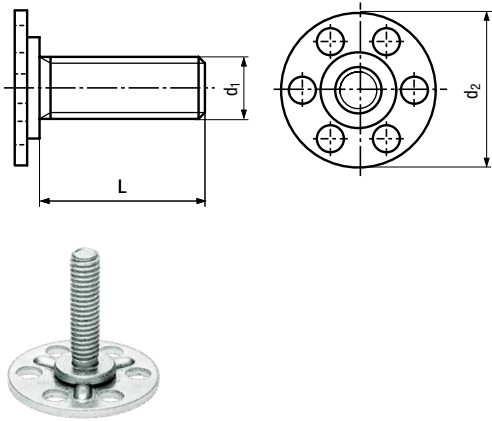
Please refer to your local Bossard E-Shop for the current assortment and dimensions. Other variants upon request.

Core range

Threaded bolt

bigHead® M1/B20 Fastener with threaded bolt round head \varnothing 20 mm

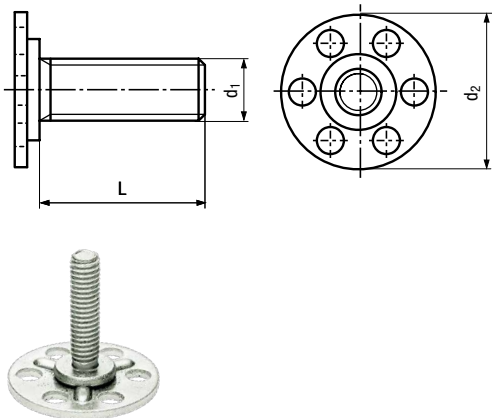
BN 26101 | Steel, zinc plated



Code	d ₁	L	d ₂
M1/B20-M4x12HT	M4	12	20
M1/B20-M4x16HT	M4	16	20
M1/B20-M4x20HT	M4	20	20
M1/B20-M4x25HT	M4	25	20
M1/B20-M5x12HT	M5	12	20
M1/B20-M5x16HT	M5	16	20
M1/B20-M5x20HT	M5	20	20
M1/B20-M5x25HT	M5	25	20
M1/B20-M6x12HT	M6	12	20
M1/B20-M6x16HT	M6	16	20
M1/B20-M6x20HT	M6	20	20
M1/B20-M6x25HT	M6	25	20
M1/B20-M8x12HT	M8	12	20
M1/B20-M8x16HT	M8	16	20
M1/B20-M8x20HT	M8	20	20
M1/B20-M8x25HT	M8	25	20

bigHead® SM1/B20 Fastener with threaded bolt round head \varnothing 20 mm

BN 26102 | Stainless steel A4



Code	d ₁	L	d ₂
SM1/B20-M4x12	M4	12	20
SM1/B20-M4x16	M4	16	20
SM1/B20-M4x20	M4	20	20
SM1/B20-M4x25	M4	25	20
SM1/B20-M5x12	M5	12	20
SM1/B20-M5x16	M5	16	20
SM1/B20-M5x20	M5	20	20
SM1/B20-M5x25	M5	25	20
SM1/B20-M6x12	M6	12	20
SM1/B20-M6x16	M6	16	20
SM1/B20-M6x20	M6	20	20
SM1/B20-M6x25	M6	25	20
SM1/B20-M8x12	M8	12	20
SM1/B20-M8x16	M8	16	20
SM1/B20-M8x20	M8	20	20
SM1/B20-M8x25	M8	25	20

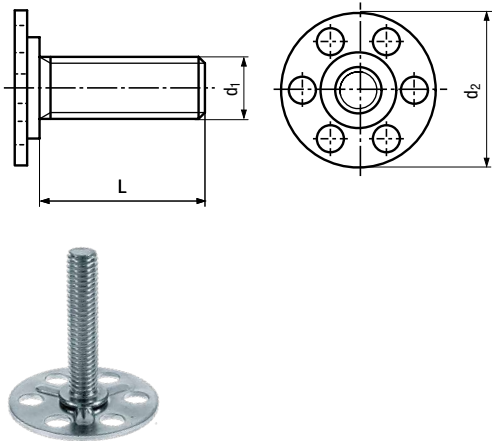
Core range products are supported by comprehensive guidelines and technical information. Please refer to your local Bossard E-Shop for the current assortment and dimensions. Other variants upon request.

Core range

Threaded bolt

bigHead® M1/B30 Fastener with threaded bolt round head \varnothing 30 mm

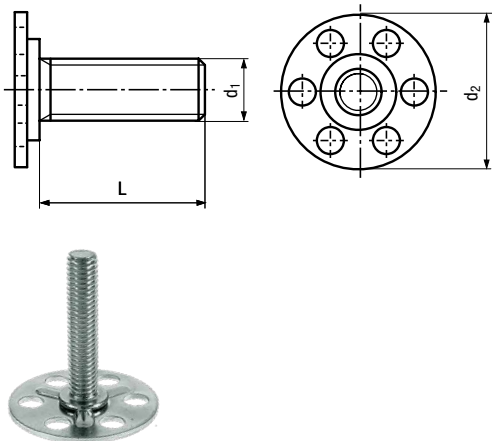
BN 26006 | Steel, zinc plated



Code	d ₁	L	d ₂
M1/B30-M4x12HT	M4	12	30
M1/B30-M4x16HT	M4	16	30
M1/B30-M4x20HT	M4	20	30
M1/B30-M4x25HT	M4	25	30
M1/B30-M5x12HT	M5	12	30
M1/B30-M5x16HT	M5	16	30
M1/B30-M5x20HT	M5	20	30
M1/B30-M5x25HT	M5	25	30
M1/B30-M6x12HT	M6	12	30
M1/B30-M6x16HT	M6	16	30
M1/B30-M6x20HT	M6	20	30
M1/B30-M6x25HT	M6	25	30
M1/B30-M8x12HT	M8	12	30
M1/B30-M8x16HT	M8	16	30
M1/B30-M8x20HT	M8	20	30
M1/B30-M8x25HT	M8	25	30

bigHead® SM1/B30 Fastener with threaded bolt round head \varnothing 30 mm

BN 26007 | Stainless steel A4



Code	d ₁	L	d ₂
SM1/B30-M4x12	M4	12	30
SM1/B30-M4x16	M4	16	30
SM1/B30-M4x20	M4	20	30
SM1/B30-M4x25	M4	25	30
SM1/B30-M5x12	M5	12	30
SM1/B30-M5x16	M5	16	30
SM1/B30-M5x20	M5	20	30
SM1/B30-M5x25	M5	25	30
SM1/B30-M6x12	M6	12	30
SM1/B30-M6x16	M6	16	30
SM1/B30-M6x20	M6	20	30
SM1/B30-M6x25	M6	25	30
SM1/B30-M8x12	M8	12	30
SM1/B30-M8x16	M8	16	30
SM1/B30-M8x20	M8	20	30
SM1/B30-M8x25	M8	25	30

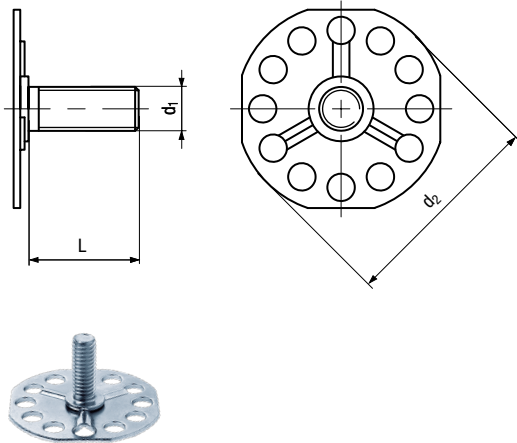
Core range products are supported by comprehensive guidelines and technical information. Please refer to your local Bossard E-Shop for the current assortment and dimensions. Other variants upon request.

Core range

Threaded bolt

bigHead® M1/B38A Fastener with threaded bolt rounded corner head \varnothing 38 mm

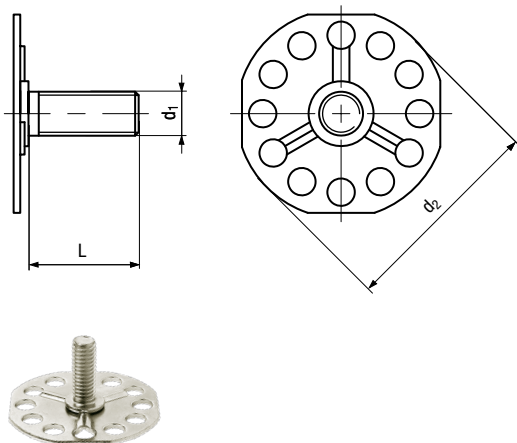
BN 55844 | Steel, zinc plated



Code	d_1	L	d_2
M1/B38A-M4x12HT	M4	12	38
M1/B38A-M4x16HT	M4	16	38
M1/B38A-M4x20HT	M4	20	38
M1/B38A-M4x25HT	M4	25	38
M1/B38A-M5x12HT	M5	12	38
M1/B38A-M5x16HT	M5	16	38
M1/B38A-M5x20HT	M5	20	38
M1/B38A-M5x25HT	M5	25	38
M1/B38A-M6x12HT	M6	12	38
M1/B38A-M6x16HT	M6	16	38
M1/B38A-M6x20HT	M6	20	38
M1/B38A-M6x25HT	M6	25	38
M1/B38A-M8x12HT	M8	12	38
M1/B38A-M8x16HT	M8	16	38
M1/B38A-M8x20HT	M8	20	38
M1/B38A-M8x25HT	M8	25	38

bigHead® SM1/B38A Fastener with threaded bolt rounded corner head \varnothing 38 mm

BN 55845 | Stainless steel A4



Code	d_1	L	d_2
SM1/B38A-M4x12	M4	12	38
SM1/B38A-M4x16	M4	16	38
SM1/B38A-M4x20	M4	20	38
SM1/B38A-M4x25	M4	25	38
SM1/B38A-M5x12	M5	12	38
SM1/B38A-M5x16	M5	16	38
SM1/B38A-M5x20	M5	20	38
SM1/B38A-M5x25	M5	25	38
SM1/B38A-M6x12	M6	12	38
SM1/B38A-M6x16	M6	16	38
SM1/B38A-M6x20	M6	20	38
SM1/B38A-M6x25	M6	25	38
SM1/B38A-M6x40	M6	40	38
SM1/B38A-M8x12	M8	12	38
SM1/B38A-M8x16	M8	16	38
SM1/B38A-M8x20	M8	20	38
SM1/B38A-M8x25	M8	25	38

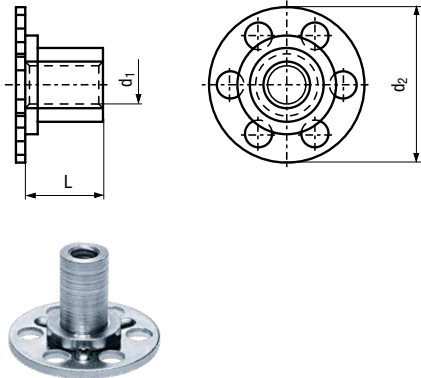
Core range products are supported by comprehensive guidelines and technical information. Please refer to your local Bossard E-Shop for the current assortment and dimensions. Other variants upon request.

Core range

Threaded collar

bigHead® F2/B20 Fastener with threaded collar round head \varnothing 20 mm closed

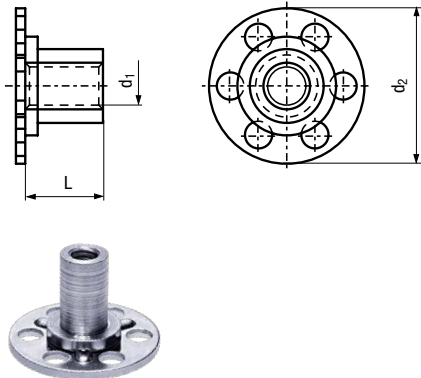
BN 26042 | Steel, zinc plated



Code	d ₁	L	d ₂
F2/B20-M4x5	M4	5	20
F2/B20-M5x5	M5	5	20
F2/B20-M5x10	M5	10	20
F2/B20-M5x15	M5	15	20
F2/B20-M6x5	M6	5	20
F2/B20-M6x10	M6	10	20
F2/B20-M6x15	M6	15	20
F2/B20-M8x10	M8	10	20
F2/B20-M8x15	M8	15	20

bigHead® SF2/B20 Fastener with threaded collar round head \varnothing 20 mm closed

BN 26043 | Stainless steel A4



Code	d ₁	L	d ₂
SF2/B20-M4x5	M4	5	20
SF2/B20-M4x10	M4	10	20
SF2/B20-M5x5	M5	5	20
SF2/B20-M5x10	M5	10	20
SF2/B20-M5x15	M5	15	20
SF2/B20-M6x5	M6	5	20
SF2/B20-M6x10	M6	10	20
SF2/B20-M6x15	M6	15	20
SF2/B20-M8x10	M8	10	20
SF2/B20-M8x15	M8	15	20

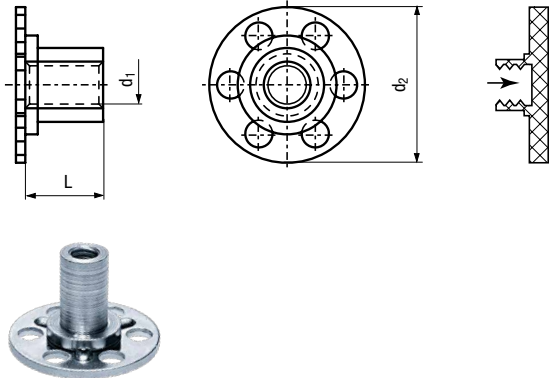
Core range products are supported by comprehensive guidelines and technical information. Please refer to your local Bossard E-Shop for the current assortment and dimensions. Other variants upon request.

Core range

Threaded collar

bigHead® F2/B30 Fastener with threaded collar round head \varnothing 30 mm closed

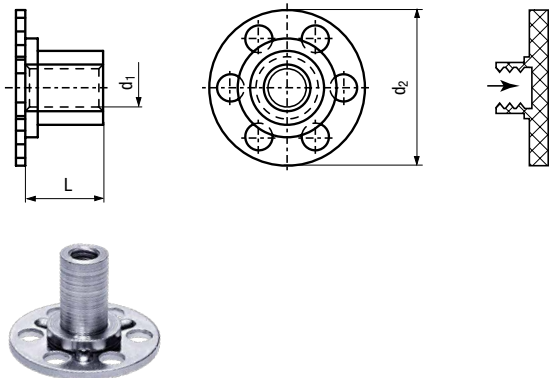
BN 55834 | Steel, zinc plated



Code	d ₁	L	d ₂
F2/B30-M4x5	M4	5	30
F2/B30-M4x10	M4	10	30
F2/B30-M5x5	M5	5	30
F2/B30-M5x10	M5	10	30
F2/B30-M5x15	M5	15	30
F2/B30-M6x5	M6	5	30
F2/B30-M6x10	M6	10	30
F2/B30-M6x15	M6	15	30
F2/B30-M8x10	M8	10	30
F2/B30-M8x15	M8	15	30

bigHead® SF2/B30 Fastener with threaded collar round head \varnothing 30 mm closed

BN 55832 | Stainless steel A4



Code	d ₁	L	d ₂
SF2/B30-M4x5	M4	5	30
SF2/B30-M4x10	M4	10	30
SF2/B30-M5x5	M5	5	30
SF2/B30-M5x10	M5	10	30
SF2/B30-M5x15	M5	15	30
SF2/B30-M6x5	M6	5	30
SF2/B30-M6x10	M6	10	30
SF2/B30-M6x15	M6	15	30
SF2/B30-M8x10	M8	10	30
SF2/B30-M8x15	M8	15	30

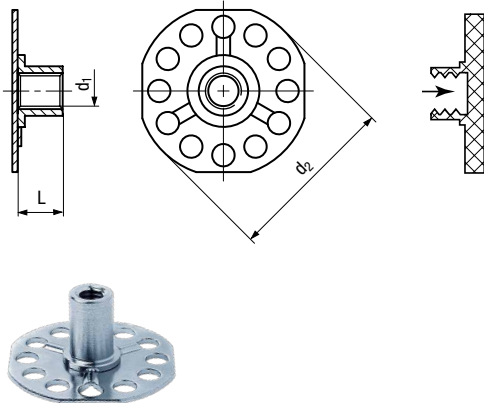
Core range products are supported by comprehensive guidelines and technical information. Please refer to your local Bossard E-Shop for the current assortment and dimensions. Other variants upon request.

Core range

Threaded collar

bigHead® F2/B38A Fastener with threaded collar rounded corner head \varnothing 38 mm closed

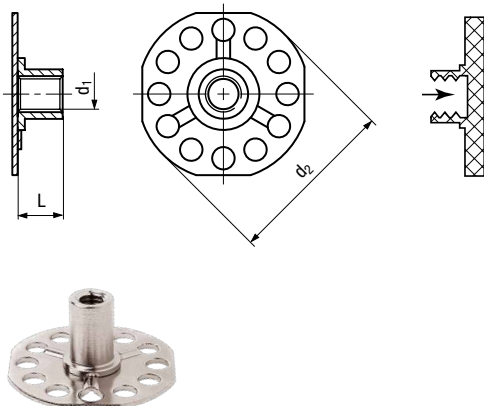
BN 55846 | Steel, zinc plated



Code	d ₁	L	d ₂
F2/B38A-M4x5	M4	5	38
F2/B38A-M4x10	M4	10	38
F2/B38A-M5x5	M5	5	38
F2/B38A-M5x10	M5	10	38
F2/B38A-M5x15	M5	15	38
F2/B38A-M6x5	M6	5	38
F2/B38A-M6x10	M6	10	38
F2/B38A-M6x15	M6	15	38
F2/B38A-M8x10	M8	10	38
F2/B38A-M8x15	M8	15	38

bigHead® SF2/B38A Fastener with threaded collar rounded corner head \varnothing 38 mm closed

BN 55847 | Stainless steel A4



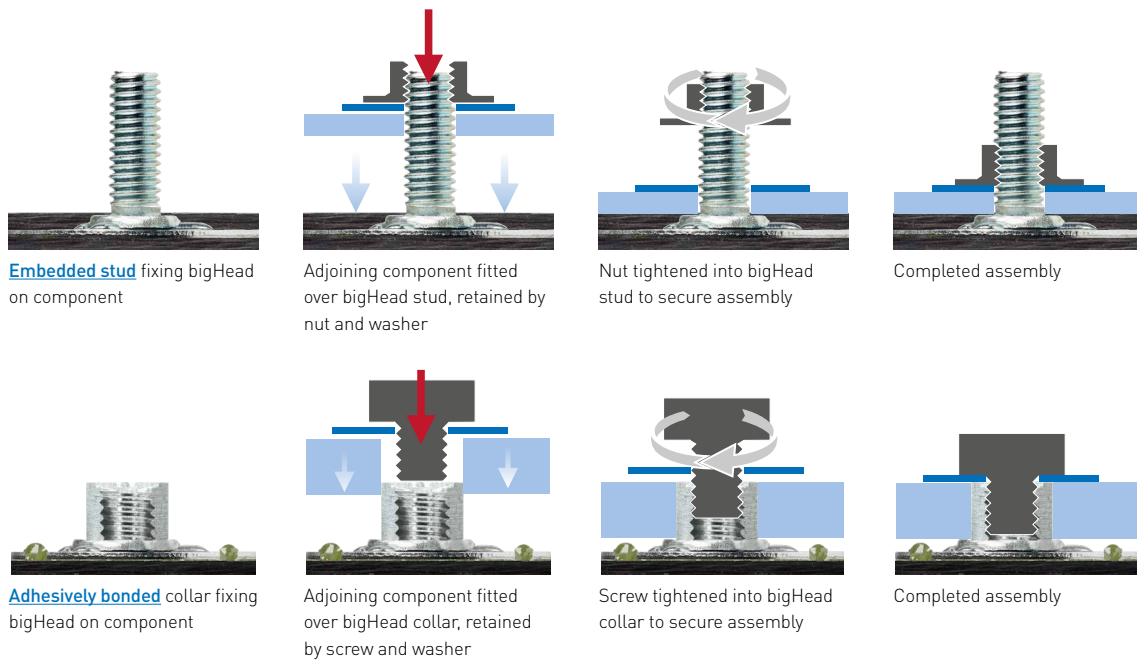
Code	d ₁	L	d ₂
SF2/B38A-M4x5	M4	5	38
SF2/B38A-M4x10	M4	10	38
SF2/B38A-M5x5	M5	5	38
SF2/B38A-M5x10	M5	10	38
SF2/B38A-M5x15	M5	15	38
SF2/B38A-M6x5	M6	5	38
SF2/B38A-M6x10	M6	10	38
SF2/B38A-M6x15	M6	15	38
SF2/B38A-M8x10	M8	10	38
SF2/B38A-M8x15	M8	15	38

Core range products are supported by comprehensive guidelines and technical information. Please refer to your local Bossard E-Shop for the current assortment and dimensions. Other variants upon request.

Technical information for core range

Critical assembly considerations

How do I create assemblies with bigHeads?



Embedded stud fixing bigHead on component

Adjoining component fitted over bigHead stud, retained by nut and washer

Nut tightened into bigHead stud to secure assembly

Completed assembly

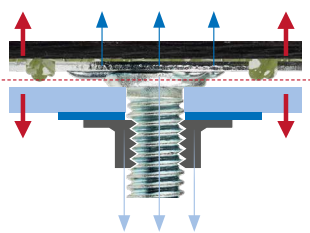
Adhesively bonded collar fixing bigHead on component

Adjoining component fitted over bigHead collar, retained by screw and washer

Screw tightened into bigHead collar to secure assembly

Completed assembly

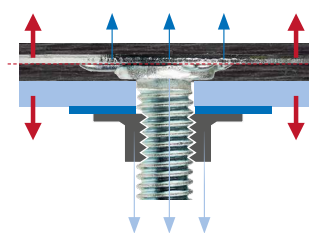
Why do I need to consider the assembly design and conditions?



Application loads: Adhesively bonded

- Opposing out-of-plane forces on component and adjoining part
- Tensile loading on bigHead welded joint

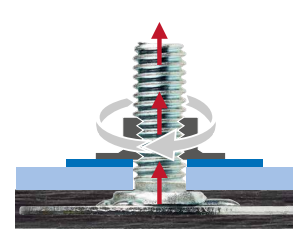
Loading and performance limitations are typically determined by the strength of the adhesive joint between the bigHead and the component, or the welded joint strength of the bigHead.



Application loads: Embedded bigHead

- Opposing out-of-plane forces on component and adjoining part
- Tensile loading on bigHead welded joint

Loading and performance limitations are typically determined by the component material strength or the welded joint strength of the bigHead.



Assembly conditions and resultant loading

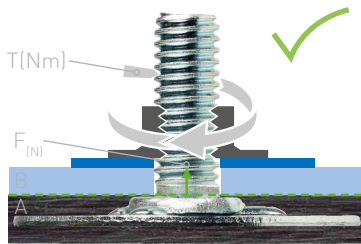
In the example assemblies above, tightening the parts together during assembly causes a resultant force within the bigHead – we call this “assembly load”. Overleaf, we offer basic guidance on how assembly designs and conditions can affect loading within the bigHead. Please visit the Bossard website or contact us directly – we are happy to support!

Considering and managing the assembly conditions and resultant load paths is essential for avoiding failure of the bigHead or fastened components during assembly operations.

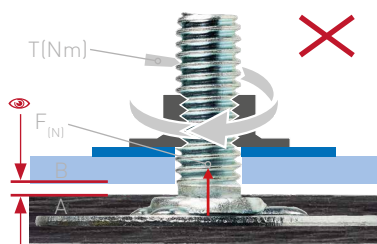
Technical information for core range

Critical assembly considerations

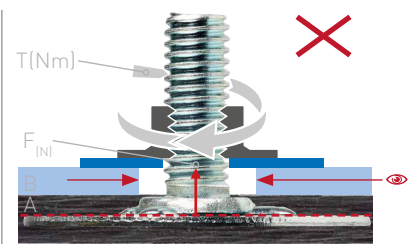
Assembly design awareness



Correct condition:
Adjoining component (B) meets shoulder and clearance hole is smaller than bigHead shoulderdiameter.



Incorrect conditions:
Gap between component with bigHead (A) and adjoining component (B).

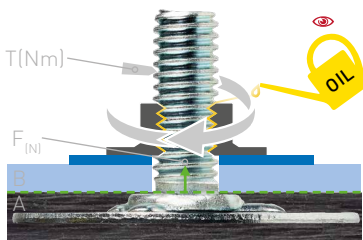


Clearance hole for stud fixing in adjoining component (B) is greater than **80-90% of bigHead shoulder diameter**.

In the correct condition, tightening the nut with torque T (Nm) creates resultant force F (N), which clamps the adjoining part (B) against the fixing shoulder. **Optimum or maximum tightening torque T (Nm) for a given assembly design** is always dependent on the exact combination of bigHead product, additional fasteners (e.g. nut, bolt, washer), **component material and adjoining material, and should always be determined and validated by appropriate testing.**

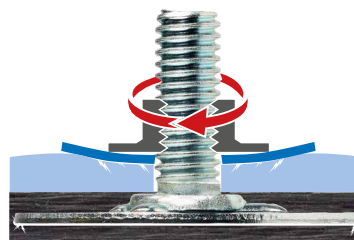
Please always contact us for further information or advice about tightening torques and assembly testing. We are always happy to support you!

Factors that affect assembly design and assembly operations



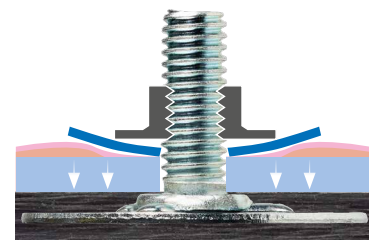
Thread friction coefficient and presence of lubricants

Thread friction coefficients and presence of lubricants within the assembly will affect the transfer of radial forces (e.g. applied torque) into axial forces (e.g. resultant forces). Variations in the amount of force transfer may affect the applicability/ suitability of assembly parameters, e.g. tightening torque value, so it is important to always clarify thread friction coefficient values and determine whether lubricants are present within the assembly.



Compression of the assembly materials

Tightening operations on bigHead assemblies may create high levels of compressive clamp force on the assembly materials, with subsequent damage to or failure of the materials. Applications testing is typically required to determine clamp-load behaviour, and appropriate tightening parameters/ profiles for a given material and assembly configuration.



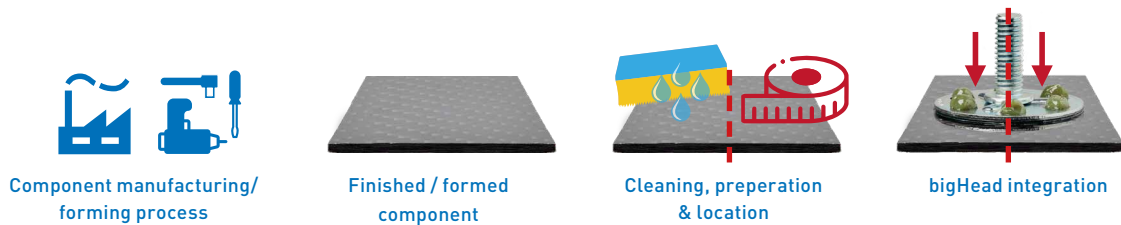
Creep relaxation within the assembly

Creep relaxation is a critical consideration if the materials within the assembly are susceptible to creep under compressive loading (e.g. thermoplastic polymers or polymer matrix composites). Especially if the adjoining component material is known to be susceptible to creep-relaxation, it is imperative to undertake appropriate testing to determine or qualify long-term assembly integrity expectations.

Technical information for core range

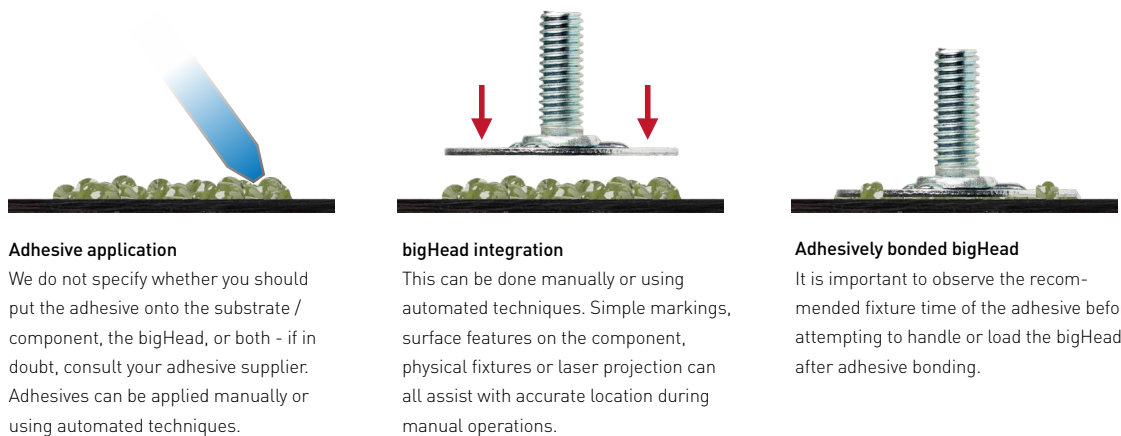
Adhesive bonding core range products

Adhesive bonding considerations



We refer to adhesive bonding as post-process integration; it typically takes place after the component has undergone the principal manufacturing or forming process. Depending on the adhesive used, it is possible to adhesively bond bigHeads prior

to painting or finishing. Whilst we offer guidance relating to adhesively bonding bigHeads, application suitability must always be determined by consultation with the adhesive manufacturer or supplier, or by appropriate testing.

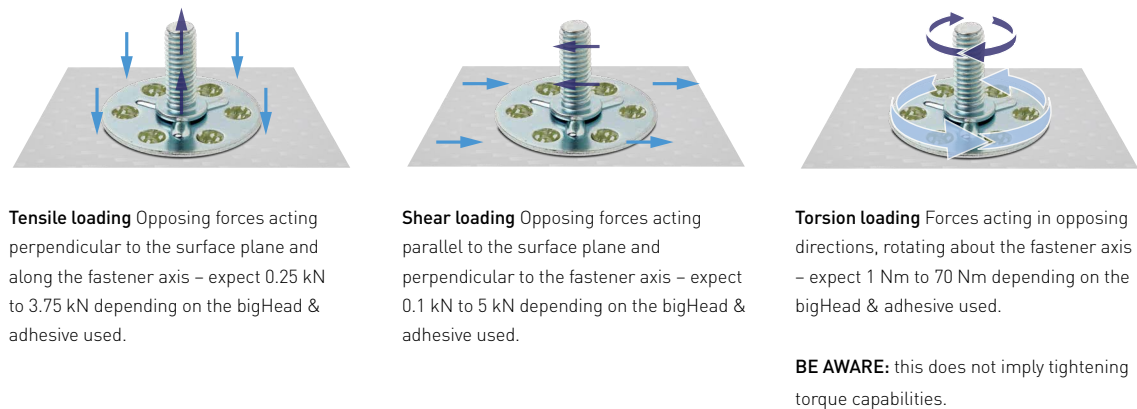


Adhesive application
We do not specify whether you should put the adhesive onto the substrate / component, the bigHead, or both - if in doubt, consult your adhesive supplier. Adhesives can be applied manually or using automated techniques.

bigHead integration
This can be done manually or using automated techniques. Simple markings, surface features on the component, physical fixtures or laser projection can all assist with accurate location during manual operations.

Adhesively bonded bigHead
It is important to observe the recommended fixture time of the adhesive before attempting to handle or load the bigHead after adhesive bonding.

Generic loading considerations for adhesive bonding



Tensile loading Opposing forces acting perpendicular to the surface plane and along the fastener axis – expect 0.25 kN to 3.75 kN depending on the bigHead & adhesive used.

Shear loading Opposing forces acting parallel to the surface plane and perpendicular to the fastener axis – expect 0.1 kN to 5 kN depending on the bigHead & adhesive used.

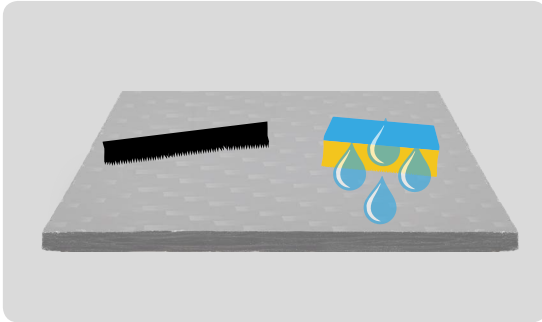
Torsion loading Forces acting in opposing directions, rotating about the fastener axis – expect 1 Nm to 70 Nm depending on the bigHead & adhesive used.

BE AWARE: this does not imply tightening torque capabilities.

Technical information for core range

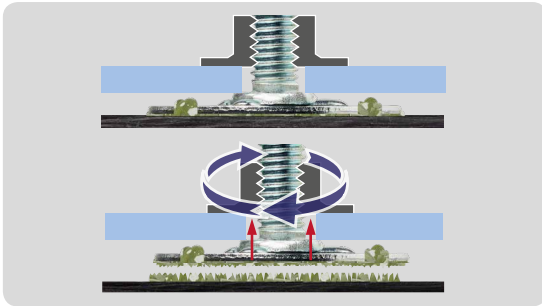
Adhesive bonding core range products

Critical issues and guidance topics



Surface preparation and cleaning

The exact requirements vary between adhesives, but our general advice is to take necessary steps to remove any dust, moisture, release agent or other contaminants from the component surface prior to bonding a bigHead in place. Abrasion is not always necessary, but cleaning is always recommended.



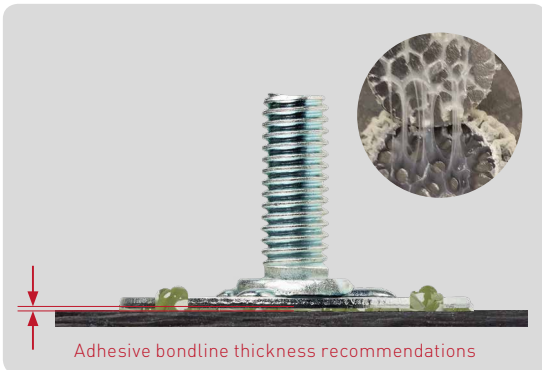
Beware of assembly gaps

The tightening forces generated during assembly can be enough to separate an adhesively bonded bigHead from the component surface. To avoid this, especially in cases where there are gaps between the fastened components, ensure that tightening torques do not create resultant forces above the tensile load capability of the adhesive or the bigHead.



Controlling adhesive overspill

Large lumps of adhesive spilling out of perforation holes can interfere with assembly, and increase adhesive wastage. To stop this, we recommended considering the application of a thin (50-100 μm) transparent self-adhesive film on the upper side of the bigHead prior to bonding. We do this with our test specimens, and we are happy to advise on suitable cutting sizes.



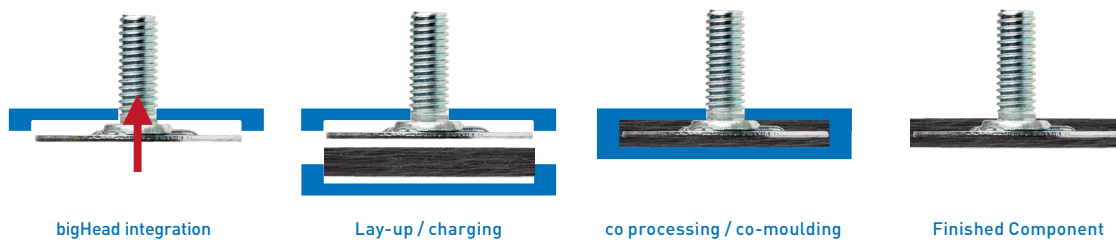
Be aware of factors that affect the adhesive performance and proper cure

Adhesives generally have an ideal bond-line thickness for achieving proper cure and optimum mechanical performance - be sure to maintain this, and observe the adhesive manufacturer's recommended cure parameters when bonding bigHeads. Carbon steel bigHead products are supplied with a Zinc electroplate finish, which can interfere with the cure of some adhesive products - always check adhesive compatibility or perform tensile tests on bonded bigHeads to determine compatibility.

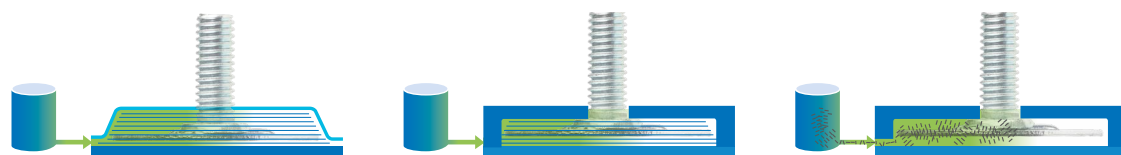
Technical information for core range

Embedding core range products

Co-process integration of bigHeads: generic process types



We refer to embedding as co-process integration; the embedded bigHead and the component materials are processed together within the principal manufacturing or forming process. This ensures the bigHeads are mechanically interlocked into the component material and eliminates the secondary operations associated with post-process fastener installation.



Open and bag lamination processes

Fibre reinforcement materials may need preparation to accommodate the embedded bigHead - this can often be included in cutting/ kitting operations. To avoid secondary operations or re-work, take care to fully seal the threaded sections against resin/ polymer ingress.

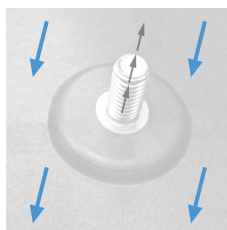
Closed mould lamination processes

In closed-mould processes, part ejection direction and tooling design may prevent integration of bigHeads in certain orientations. Over-patching of bigHeads is a convenient way to achieve embedment and mechanical interlock without disturbing fibre reinforcements of laminate materials.

Closed moulding processes

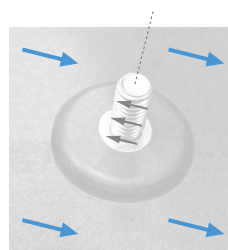
Core range products can be co-processed but may not represent the optimum overall solution, especially for closed-mould processes...
...so we invite you to contact us and ask about our Lean Moulding® solutions if you are considering to embed/ co-process a bigHead.

Generic loading considerations for embedded bigHeads



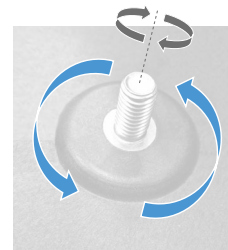
Tensile loading

Opposing forces acting perpendicular to the surface plane and along the fastener axis - expect 5 kN to 20 kN depending on the bigHead & embedment material used.



Shear loading

Opposing forces acting parallel to the surface plane and perpendicular to the fastener axis - expect 3 kN to 20 kN depending on the bigHead & embedment material used.



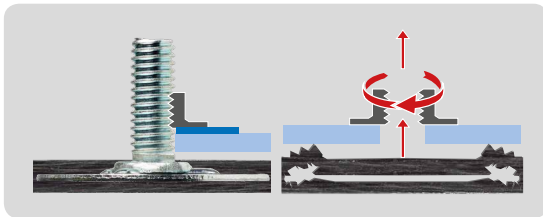
Torsion loading

Forces acting in opposing directions, rotating about the fastener axis - expect 5 Nm to 75 Nm depending on the bigHead & embedment material used. **BE AWARE: this does not imply tightening torque capabilities.**

Technical information for core range

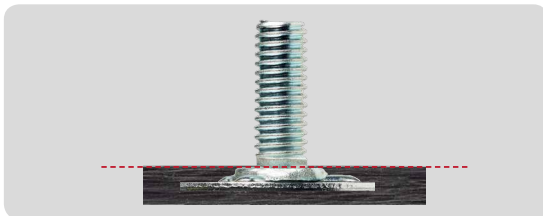
Embedding core range products

Critical issues and specific guidance topics for co-processing of bigHeads



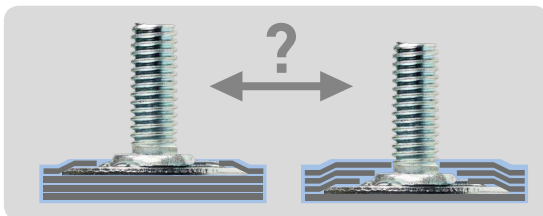
Beware of assembly gaps

The tightening forces generated during assembly can be enough to detach a bigHead from the component surface. To avoid this, especially in cases where there are gaps between the fastened components, ensure that tightening torques do not create resultant forces above loading capability of the embedment material or the bigHead.



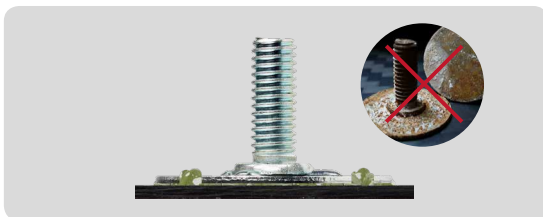
Material shut-off line

A material shut-off against the shoulder face on the bigHead can help ensure adjoining parts clamp against the metallic shoulder material of the bigHead – not the surrounding material. This reduces the chance of overloading the welded bigHead fixing/Head joint during assembly tightening and can help prevent issues with creep relaxation of tightened assemblies.



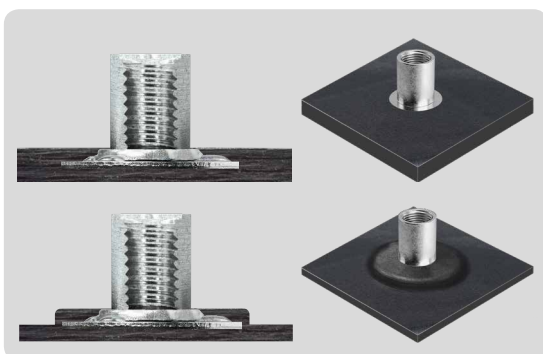
Embedment height effects

You will probably see the biggest benefit to deeper embedment of the bigHead in a tensile loading, or pull-out condition - in shear and torsion loading conditions, deeper embedment may not increase loading capability.



Be aware of electrical and galvanic corrosion implications

This is especially important when embedding bigHeads into materials with carbon reinforcement materials or pigments. If you need a non-metallic coating option, please contact us to discuss options.



Embedding bigHeads into thick (>3 mm) or thin (<3 mm) section materials

With closed-mould processes, encapsulation of the head in a pocket of material is usually required for material thicknesses of 3 mm or less.

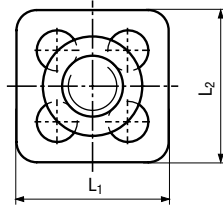
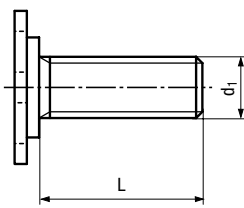
The information within this documents is for guidance purposes only and does not constitute a guarantee or warranty of any kind. bigHead cannot accept liability for performance arising from use of these products. Application suitability should always be determined by appropriate testing and evaluation. Drawings and diagrams are for illustrative purposes only and may differ from actual products. For technical inquiries, please visit www.bossard.com for local contact details.

Extended range

Threaded bolt

bigHead® M1/B15 Fastener with threaded bolt square head 15 x 15 mm

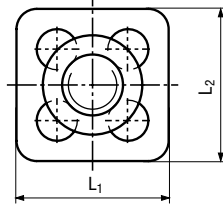
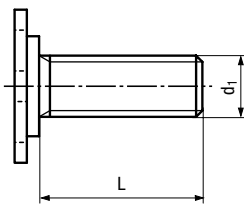
BN 26000 | Steel, zinc plated



Code	d ₁	L	L ₁	L ₂
M1/B15-M4x12HT	M4	12	15	15
M1/B15-M4x16HT	M4	16	15	15
M1/B15-M4x30HT	M4	30	15	15
M1/B15-M5x12HT	M5	12	15	15
M1/B15-M5x16HT	M5	16	15	15
M1/B15-M5x20HT	M5	20	15	15
M1/B15-M5x25HT	M5	25	15	15
M1/B15-M5x30HT	M5	30	15	15
M1/B15-M6x12HT	M6	12	15	15
M1/B15-M6x16HT	M6	16	15	15
M1/B15-M6x20HT	M6	20	15	15
M1/B15-M6x25HT	M6	25	15	15

bigHead® SM1/B15 Fastener with threaded bolt square head 15 x 15 mm

BN 26001 | Stainless steel A4



Code	d ₁	L	L ₁	L ₂
SM1/B15-M4x8	M4	8	15	15
SM1/B15-M4x12	M4	12	15	15
SM1/B15-M4x16	M4	16	15	15
SM1/B15-M4x25	M4	25	15	15
SM1/B15-M5x12	M5	12	15	15
SM1/B15-M5x16	M5	16	15	15
SM1/B15-M5x25	M5	25	15	15
SM1/B15-M6x16	M6	16	15	15
SM1/B15-M6x25	M6	25	15	15

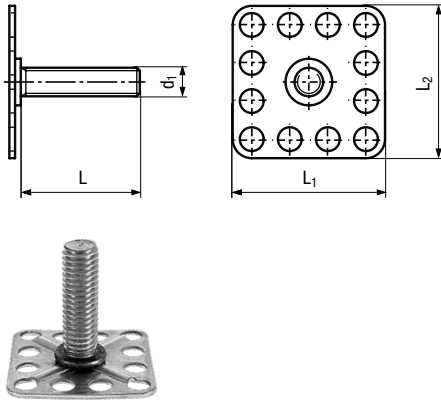
Extended range includes a wide variety of product types. Please refer to your local Bossard E-Shop for the current assortment and dimensions. Other variants upon request.

Extended range

Threaded bolt

bigHead® SM1/B32 Fastener with threaded bolt square head 32 x 32 mm

BN 26008 | Stainless steel A4



Code	d ₁	L	L ₁	L ₂
SM1/B32-M5x12	M5	12	32	32
SM1/B32-M5x20	M5	20	32	32
SM1/B32-M5x30	M5	30	32	32
SM1/B32-M5x40	M5	40	32	32
SM1/B32-M6x12	M6	12	32	32
SM1/B32-M6x20	M6	20	32	32
SM1/B32-M6x25	M6	25	32	32
SM1/B32-M6x30	M6	30	32	32
SM1/B32-M6x35	M6	35	32	32
SM1/B32-M6x40	M6	40	32	32
SM1/B32-M6x50	M6	50	32	32
SM1/B32-M6x75	M6	75	32	32
SM1/B32-M6x100	M6	100	32	32
SM1/B32-M8x20	M8	20	32	32
SM1/B32-M8x25	M8	25	32	32
SM1/B32-M8x30	M8	30	32	32
SM1/B32-M8x40	M8	40	32	32
SM1/B32-M8x50	M8	50	32	32
SM1/B32-M8x75	M8	75	32	32
SM1/B32-M8x100	M8	100	32	32
SM1/B32-M10x30	M10	30	32	32
SM1/B32-M10x40	M10	40	32	32
SM1/B32-M10x50	M10	50	32	32
SM1/B32-M10x75	M10	75	32	32
SM1/B32-M10x100	M10	100	32	32

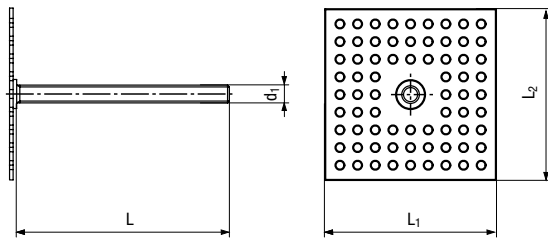
Extended range includes a wide variety of product types. Please refer to your local Bossard E-Shop for the current assortment and dimensions. Other variants upon request.

Extended range

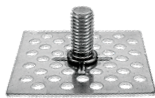
Threaded bolt

bigHead® SM1/B58 Fastener with threaded bolt square head 58 x 58 mm

BN 26011 | Stainless steel A4

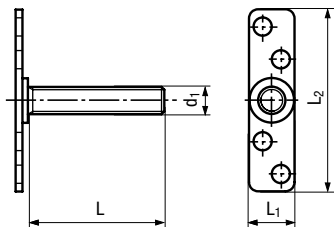


Code	d_1	L	L_1	L_2
SM1/B58-M6x100	M6	100	58	58
SM1/B58-M10x100	M10	100	58	58



bigHead® M1/T40 Fastener with threaded bolt rectangular head 10 x 40 mm

BN 26009 | Steel, zinc plated



Code	d_1	L	L_1	L_2
M1/T40-M5x20HT	M5	20	10	40
M1/T40-M5x25HT	M5	25	10	40
M1/T40-M6x30HT	M6	30	10	40
M1/T40-M8x25HT	M8	25	10	40



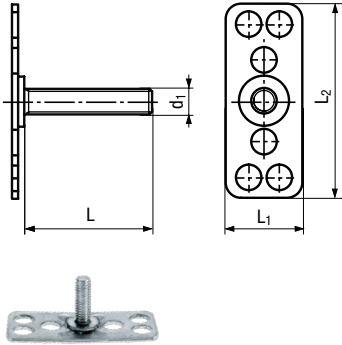
Extended range includes a wide variety of product types. Please refer to your local Bossard E-Shop for the current assortment and dimensions. Other variants upon request.

Extended range

Threaded bolt

bigHead® M1/T38 Fastener with threaded bolt rectangular head 15 x 38 mm

BN 26016 | Steel, zinc plated



Code	d ₁	L	L ₁	L ₂
M1/T38-M4x12HT	M4	12	15	38
M1/T38-M4x16HT	M4	16	15	38
M1/T38-M4x20HT	M4	20	15	38
M1/T38-M4x25HT	M4	25	15	38
M1/T38-M5x16HT	M5	16	15	38
M1/T38-M5x20HT	M5	20	15	38
M1/T38-M5x25HT	M5	25	15	38
M1/T38-M6x12HT	M6	12	15	38
M1/T38-M6x16HT	M6	16	15	38
M1/T38-M6x20HT	M6	20	15	38
M1/T38-M6x25HT	M6	25	15	38
M1/T38-M6x30HT	M6	30	15	38
M1/T38-M6x40HT	M6	40	15	38
M1/T38-M6x50HT	M6	50	15	38
M1/T38-M6x60HT	M6	60	15	38
M1/T38-M6x75HT	M6	75	15	38
M1/T38-M6x100HT	M6	100	15	38
M1/T38-M8x20HT	M8	20	15	38
M1/T38-M8x30HT	M8	30	15	38
M1/T38-M8x40HT	M8	40	15	38
M1/T38-M8x50HT	M8	50	15	38
M1/T38-M10x25HT	M10	25	15	38
M1/T38-M10x30HT	M10	30	15	38
M1/T38-M10x50HT	M10	50	15	38

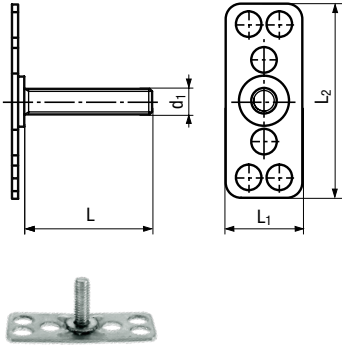
Extended range includes a wide variety of product types. Please refer to your local Bossard E-Shop for the current assortment and dimensions. Other variants upon request.

Extended range

Threaded bolt

bigHead® SM1/T38 Fastener with threaded bolt rectangular head 15 x 38 mm

BN 26017 | Stainless steel A4



Code	d ₁	L	L ₁	L ₂
SM1/T38-M4x12	M4	12	15	38
SM1/T38-M5x12	M5	12	15	38
SM1/T38-M5x16	M5	16	15	38
SM1/T38-M5x25	M5	25	15	38
SM1/T38-M6x16	M6	16	15	38
SM1/T38-M6x25	M6	25	15	38
SM1/T38-M6x30	M6	30	15	38
SM1/T38-M6x40	M6	40	15	38
SM1/T38-M6x50	M6	50	15	38
SM1/T38-M8x30	M8	30	15	38
SM1/T38-M8x40	M8	40	15	38
SM1/T38-M8x50	M8	50	15	38
SM1/T38-M10x50	M10	50	15	38

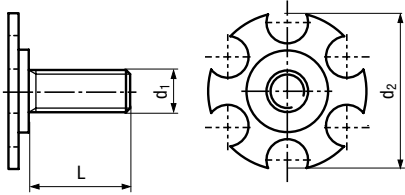
Extended range includes a wide variety of product types. Please refer to your local Bossard E-Shop for the current assortment and dimensions. Other variants upon request.

Extended range

Threaded bolt

bigHead® M1/B19 Fastener with threaded bolt round head \varnothing 19 mm

BN 26002 | Steel, zinc plated

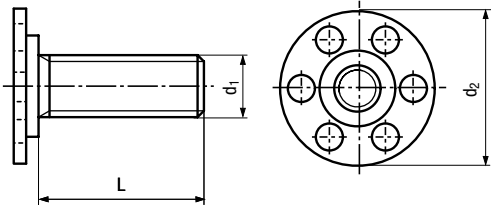


Code	d_1	L	d_2
M1/B19-M4x12HT	M4	12	19
M1/B19-M5x12HT	M5	12	19
M1/B19-M5x25HT	M5	25	19
M1/B19-M8x12HT	M8	12	19
M1/B19-M8x15HT	M8	15	19



bigHead® SM1/B20 Fastener with threaded bolt round head \varnothing 20 mm

BN 26102 | Stainless steel A4



Code	d_1	L	d_2
SM1/B20-M6x40	M6	40	20



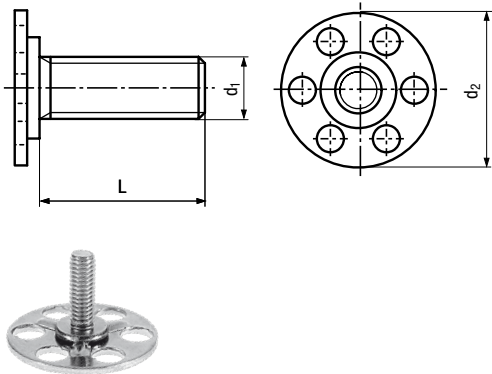
Extended range includes a wide variety of product types. Please refer to your local Bossard E-Shop for the current assortment and dimensions. Other variants upon request.

Extended range

Threaded bolt

bigHead® M1/B23 Fastener with threaded bolt round head \varnothing 23 mm

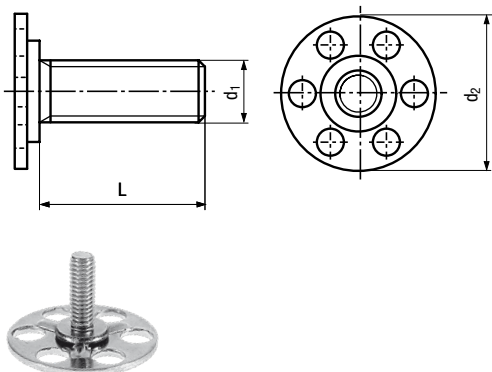
BN 26004 | Steel, zinc plated



Code	d_1	L	d_2
M1/B23-M4x16HT	M4	16	23
M1/B23-M4x20HT	M4	20	23
M1/B23-M4x25HT	M4	25	23
M1/B23-M5x12HT	M5	12	23
M1/B23-M5x16HT	M5	16	23
M1/B23-M5x20HT	M5	20	23
M1/B23-M5x25HT	M5	25	23
M1/B23-M5x30HT	M5	30	23
M1/B23-M6x12HT	M6	12	23
M1/B23-M6x16HT	M6	16	23
M1/B23-M6x20HT	M6	20	23
M1/B23-M6x25HT	M6	25	23
M1/B23-M6x30HT	M6	30	23
M1/B23-M6x40HT	M6	40	23
M1/B23-M6x50HT	M6	50	23
M1/B23-M8x15HT	M8	15	23
M1/B23-M8x30HT	M8	30	23
M1/B23-M8x35HT	M8	35	23
M1/B23-M8x60HT	M8	60	23
M1/B23-M10x40HT	M10	40	23

bigHead® SM1/B23 Fastener with threaded bolt round head \varnothing 23 mm

BN 26005 | Stainless steel A4



Code	d_1	L	d_2
SM1/B23-M4x20	M4	20	23
SM1/B23-M5x12	M5	12	23
SM1/B23-M5x16	M5	16	23
SM1/B23-M6x12	M6	12	23
SM1/B23-M6x16	M6	16	23
SM1/B23-M6x25	M6	25	23
SM1/B23-M8x25	M8	25	23
SM1/B23-M8x30	M8	30	23
SM1/B23-M10x30	M10	30	23

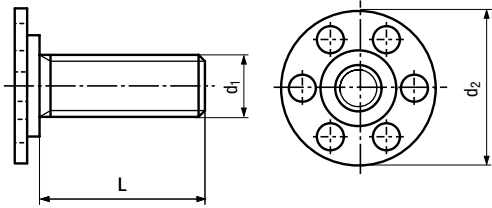
Extended range includes a wide variety of product types. Please refer to your local Bossard E-Shop for the current assortment and dimensions. Other variants upon request.

Extended range

Threaded bolt

bigHead® M1/B30 Fastener with threaded bolt round head \varnothing 30 mm

BN 26006 | Steel, zinc plated

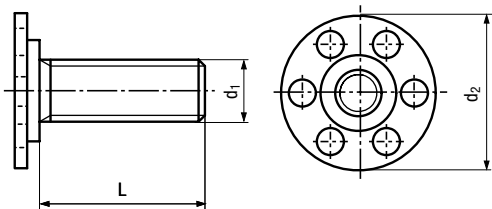


Code	d_1	L	d_2
M1/B30-M10x40HT	M10	40	30



bigHead® SM1/B30 Fastener with threaded bolt round head \varnothing 30 mm

BN 26007 | Stainless steel A4



Code	d_1	L	d_2
SM1/B30-M10x50	M10	50	30



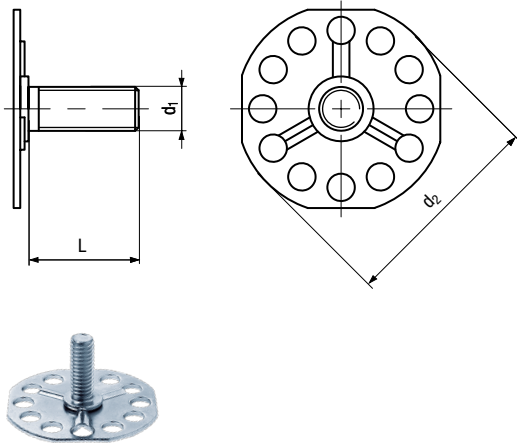
Extended range includes a wide variety of product types. Please refer to your local Bossard E-Shop for the current assortment and dimensions. Other variants upon request.

Extended range

Threaded bolt

bigHead® M1/B38A Fastener with threaded bolt rounded corner head \varnothing 38 mm

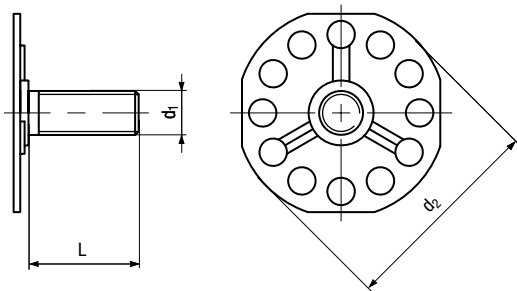
BN 55844 | Steel, zinc plated



Code	d ₁	L	d ₂
M1/B38A-M5x40HT	M5	40	38
M1/B38A-M6x30HT	M6	30	38
M1/B38A-M6x35HT	M6	35	38
M1/B38A-M6x40HT	M6	40	38
M1/B38A-M6x60HT	M6	60	38
M1/B38A-M6x75HT	M6	75	38
M1/B38A-M6x100HT	M6	100	38
M1/B38A-M8x15HT	M8	15	38
M1/B38A-M8x30HT	M8	30	38
M1/B38A-M8x40HT	M8	40	38
M1/B38A-M8x50HT	M8	50	38
M1/B38A-M8x60HT	M8	60	38
M1/B38A-M10x20HT	M10	20	38
M1/B38A-M10x25HT	M10	25	38
M1/B38A-M10x40HT	M10	40	38

bigHead® SM1/B38A Fastener with threaded bolt rounded corner head \varnothing 38 mm

BN 55845 | Stainless steel A4



Code	d ₁	L	d ₂
SM1/B38A-M6x30	M6	30	38
SM1/B38A-M8x30	M8	30	38
SM1/B38A-M8x50	M8	50	38
SM1/B38A-M8x75	M8	75	38
SM1/B38A-M10x16	M10	16	38
SM1/B38A-M10x40	M10	40	38

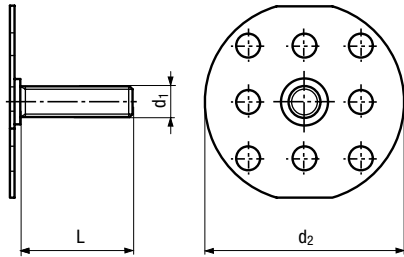
Extended range includes a wide variety of product types. Please refer to your local Bossard E-Shop for the current assortment and dimensions. Other variants upon request.

Extended range

Threaded bolt

bigHead® M1/B50 Fastener with threaded bolt rounded corner head \varnothing 50 mm

BN 26014 | Steel, zinc plated

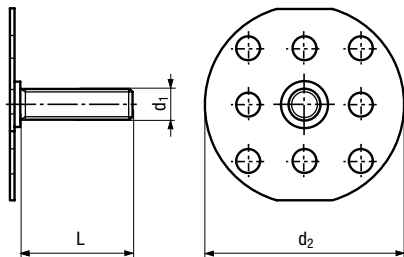


Code	d_1	L	d_2
M1/B50-M6x12HT	M6	12	50
M1/B50-M8x20HT	M8	20	50



bigHead® SM1/B50 Fastener with threaded bolt rounded corner head \varnothing 50 mm

BN 26015 | Stainless steel A4



Code	d_1	L	d_2
SM1/B50-M8x50	M8	50	50



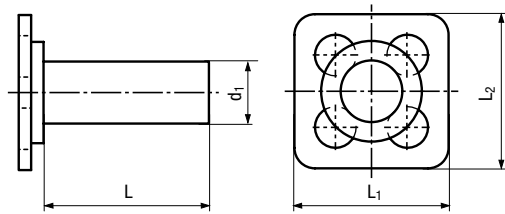
Extended range includes a wide variety of product types. Please refer to your local Bossard E-Shop for the current assortment and dimensions. Other variants upon request.

Extended range

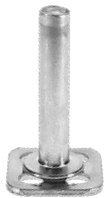
Pin

bigHead® M4/B15 Fastener with pin square head 15 x 15 mm

BN 53543 | Steel, zinc plated

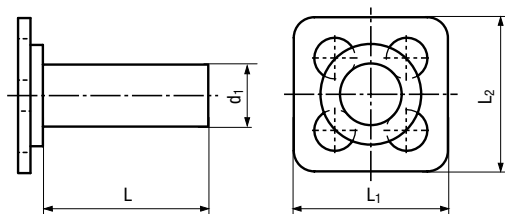


Code	d ₁	L	L ₁	L ₂
M4/B15-4,75x12	4,75	12	15	15
M4/B15-4,75x18	4,75	18	15	15



bigHead® SM4/B15 Fastener with pin square head 15 x 15 mm

BN 26018 | Stainless steel A4



Code	d ₁	L	L ₁	L ₂
SM4/B15-4,75x12	4,75	12	15	15



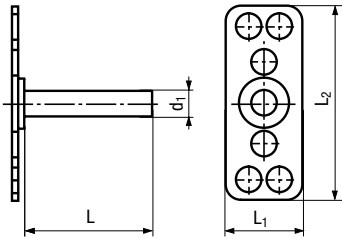
Extended range includes a wide variety of product types. Please refer to your local Bossard E-Shop for the current assortment and dimensions. Other variants upon request.

Extended range

Pin

bigHead® M4/T38 Fastener with pin rectangular head 15 x 38 mm

BN 26022 | Steel, zinc plated

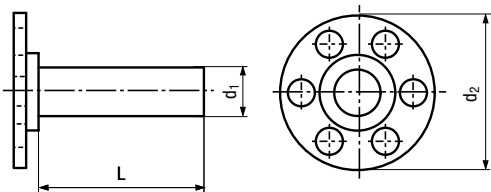


Code	d ₁	L	L ₁	L ₂
M4/T38-4,75X25	4,75	25	15	38
M4/T38-4,75X50	4,75	50	15	38



bigHead® M4/B23 Fastener with pin round head ø 23 mm

BN 26019 | Steel, zinc plated



Code	d ₁	L	d ₂
M4/B23-4,75x12	4,75	12	23
M4/B23-4,75x20	4,75	20	23
M4/B23-4,75x25	4,75	25	23



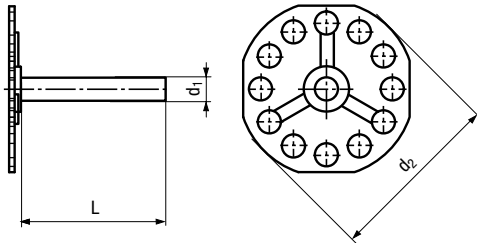
Extended range includes a wide variety of product types. Please refer to your local Bossard E-Shop for the current assortment and dimensions. Other variants upon request.

Extended range

Pin

bigHead® M4/B38A Fastener with pin rounded corner head \varnothing 38 mm

BN 55945 | Steel, zinc plated

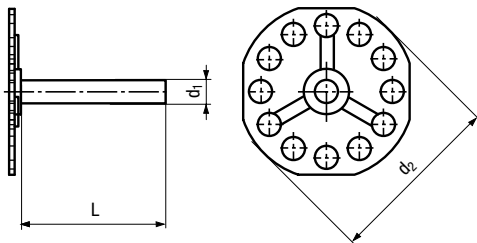


Code	d ₁	L	d ₂
M4/B38A-4,75x25	4,75	25	38
M4/B38A-4,75x40	4,75	40	38



bigHead® SM4/B38A Fastener with pin rounded corner head \varnothing 38 mm

BN 55946 | Stainless steel A4



Code	d ₁	L	d ₂
SM4/B38A-3x50	3	50	38



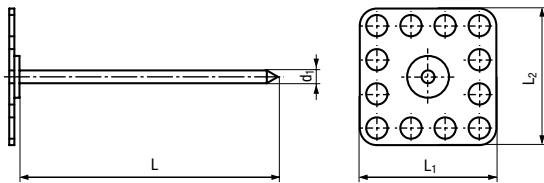
Extended range includes a wide variety of product types. Please refer to your local Bossard E-Shop for the current assortment and dimensions. Other variants upon request.

Extended range

Nail

bigHead® SM5/B32 Fastener with nail square head 32 x 32 mm

BN 26146 | Stainless steel A4

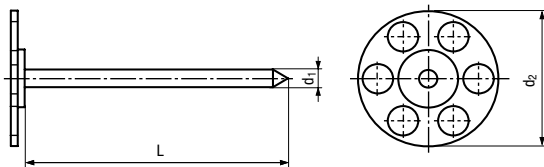


Code	d ₁	L	L ₁	L ₂
SM5/B32-3x30	3	30	32	32
SM5/B32-3x60	3	60	32	32
SM5/B32-3x75	3	75	32	32
SM5/B32-3x100	3	100	32	32



bigHead® M5/B23 Fastener with nail round head ø 23 mm

BN 26139 | Steel, zinc plated



Code	d ₁	L	d ₂
M5/B23-3x25	3	25	23
M5/B23-3x75	3	75	23



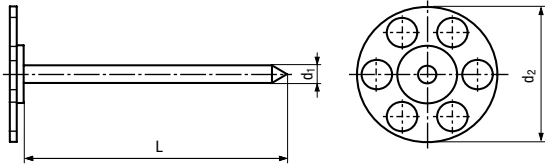
Extended range includes a wide variety of product types. Please refer to your local Bossard E-Shop for the current assortment and dimensions. Other variants upon request.

Extended range

Nail

bigHead® SM5/B30 Fastener with nail round head \varnothing 30 mm

BN 26145 | Stainless steel A4

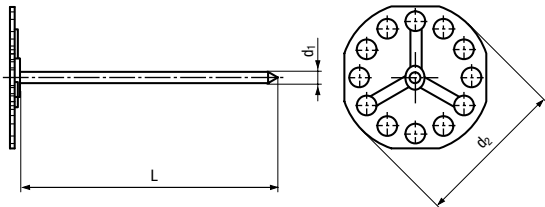


Code	d ₁	L	d ₂
SM5/B30-3x100	3	100	30



bigHead® M5/B38A Fastener with nail rounded corner head \varnothing 38 mm

BN 55947 | Steel, zinc plated



Code	d ₁	L	d ₂
M5/B38A-3x25	3	25	38



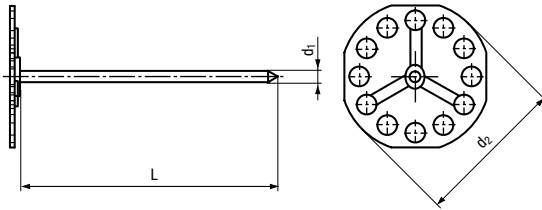
Extended range includes a wide variety of product types. Please refer to your local Bossard E-Shop for the current assortment and dimensions. Other variants upon request.

Extended range

Nail

bigHead® SM5/B38A Fastener with nail rounded corner head \varnothing 38 mm

BN 55948 | Stainless steel A4



Code	d ₁	L	d ₂
SM5/B38A-3x25	3	25	38
SM5/B38A-3x50	3	50	38
SM5/B38A-3x100	3	100	38



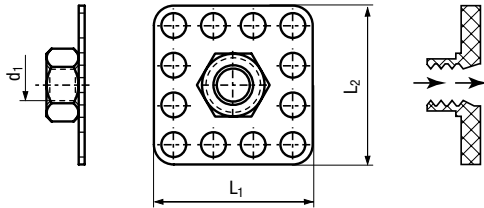
Extended range includes a wide variety of product types. Please refer to your local Bossard E-Shop for the current assortment and dimensions. Other variants upon request.

Extended range

Nut

bigHead® SF1/S32 Fastener with nut square head 32 x 32 mm open

BN 26030 | Stainless steel A4

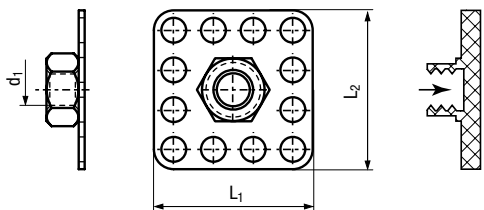


Code	d ₁	L ₁	L ₂
SF1/S32-M5HEX	M5	32	32
SF1/S32-M6HEX	M6	32	32
SF1/S32-M8HEX	M8	32	32
SF1/S32-M10HEX	M10	32	32
SF1/S32-M12HEX	M12	32	32



bigHead® SF1/B32 Fastener with nut square head 32 x 32 mm closed

BN 26031 | Stainless steel A4



Code	d ₁	L ₁	L ₂
SF1/B32-M8HEX	M8	32	32
SF1/B32-M12HEX	M12	32	32



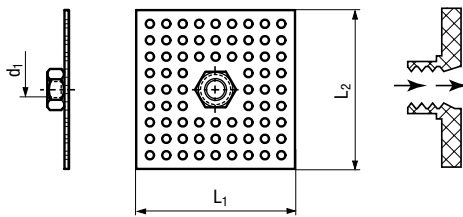
Extended range includes a wide variety of product types. Please refer to your local Bossard E-Shop for the current assortment and dimensions. Other variants upon request.

Extended range

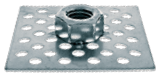
Nut

bigHead® F1/S58 Fastener with nut square head 58 x 58 mm open

BN 26039 | Steel, zinc plated

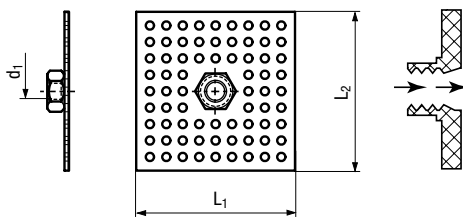


Code	d_1	L_1	L_2
F1/S58-M8HEX	M8	58	58
F1/S58-M12HEX	M12	58	58

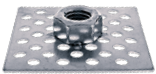


bigHead® SF1/S58 Fastener with nut square head 58 x 58 mm open

BN 53541 | Stainless steel A4



Code	d_1	L_1	L_2
SF1/S58-M12HEX	M12	58	58



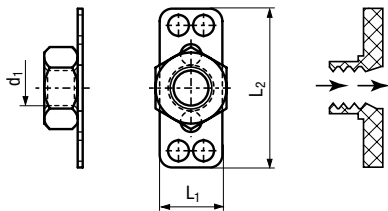
Extended range includes a wide variety of product types. Please refer to your local Bossard E-Shop for the current assortment and dimensions. Other variants upon request.

Extended range

Nut

bigHead® F1/ST38 Fastener with nut rectangular head 15 x 38 mm open

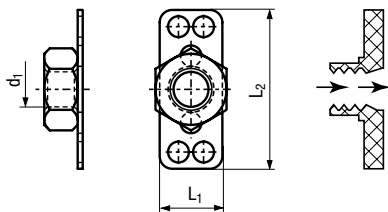
BN 26036 | Steel, zinc plated



Code	d ₁	L ₁	L ₂
F1/ST38-M4HEX	M4	15	38
F1/ST38-M5HEX	M5	15	38
F1/ST38-M6HEX	M6	15	38
F1/ST38-M8HEX	M8	15	38
F1/ST38-M10HEX	M10	15	38

bigHead® SF1/ST38 Fastener with nut rectangular head 15 x 38 mm open

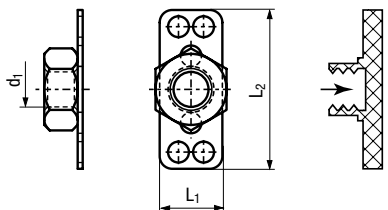
BN 26037 | Stainless steel A4



Code	d ₁	L ₁	L ₂
SF1/ST38-M4HEX	M4	15	38
SF1/ST38-M5HEX	M5	15	38
SF1/ST38-M6HEX	M6	15	38
SF1/ST38-M8HEX	M8	15	38
SF1/ST38-M10HEX	M10	15	38

bigHead® F1/T38 Fastener with nut rectangular head 15 x 38 mm closed

BN 26035 | Steel, zinc plated



Code	d ₁	L ₁	L ₂
F1/T38-M6HEX	M6	15	38

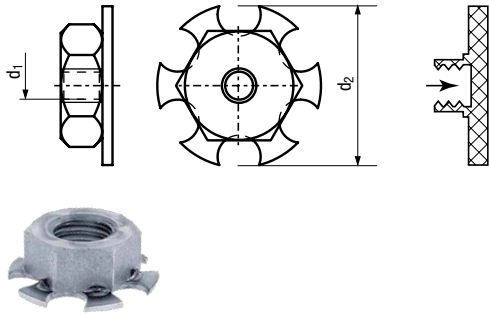
Extended range includes a wide variety of product types. Please refer to your local Bossard E-Shop for the current assortment and dimensions. Other variants upon request.

Extended range

Nut

bigHead® F1/B19 Fastener with nut round head \varnothing 19 mm closed

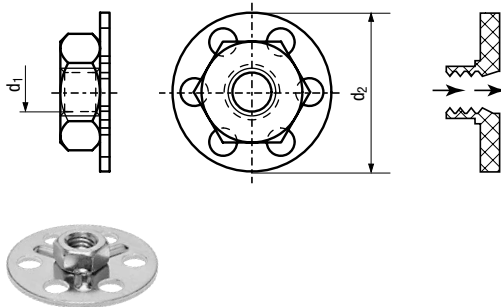
BN 26023 | Steel, zinc plated



Code	d ₁	d ₂
F1/B19-M4HEX	M4	19

bigHead® F1/S20 Fastener with nut round head \varnothing 20 mm open

BN 26024 | Steel, zinc plated



Code	d ₁	d ₂
F1/S20-M4HEX	M4	20
F1/S20-M6HEX	M6	20

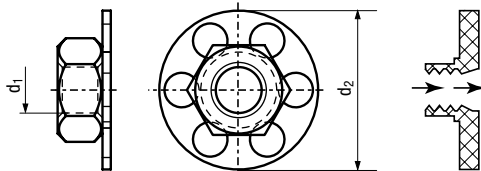
Extended range includes a wide variety of product types. Please refer to your local Bossard E-Shop for the current assortment and dimensions. Other variants upon request.

Extended range

Nut

bigHead® F1/S23 Fastener with nut round head \varnothing 23 mm open

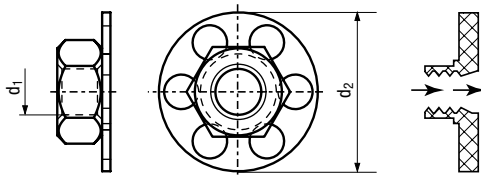
BN 26026 | Steel, zinc plated



Code	d ₁	d ₂
F1/S23-M4HEX	M4	23
F1/S23-M6HEX	M6	23
F1/S23-M8HEX	M8	23
F1/S23-M10HEX	M10	23

bigHead® SF1/S23 Fastener with nut round head \varnothing 23 mm open

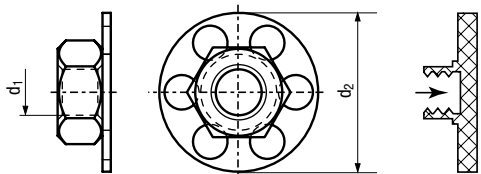
BN 26027 | Stainless steel A4



Code	d ₁	d ₂
SF1/S23-M4HEX	M4	23
SF1/S23-M5HEX	M5	23
SF1/S23-M6HEX	M6	23

bigHead® F1/B23 Fastener with nut round head \varnothing 23 mm closed

BN 53542 | Steel, zinc plated



Code	d ₁	d ₂
F1/B23-M4HEX	M4	23
F1/B23-M10HEX	M10	23

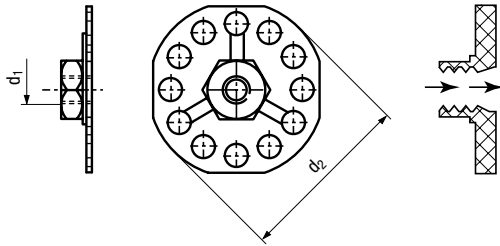
Extended range includes a wide variety of product types. Please refer to your local Bossard E-Shop for the current assortment and dimensions. Other variants upon request.

Extended range

Nut

bigHead® F1/S38A Fastener with nut rounded corner head \varnothing 38 mm open

BN 55951 | Steel, zinc plated

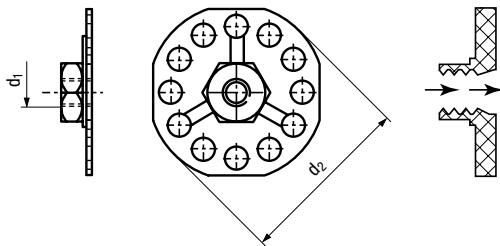


Code	d ₁	d ₂
F1/S38A-M6HEX	M6	38
F1/S38A-M8HEX	M8	38
F1/S38A-M10HEX	M10	38
F1/S38A-M12HEX	M12	38



bigHead® SF1/S38A Fastener with nut rounded corner head \varnothing 38 mm open

BN 55952 | Stainless steel A4

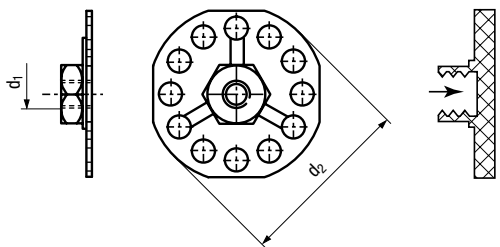


Code	d ₁	d ₂	Range
SF1/S38A-M6HEX	M6	38	Extended
SF1/S38A-M8HEX	M8	38	Extended
SF1/S38A-M12HEX	M10	38	Extended



bigHead® F1/B38A Fastener with nut rounded corner head \varnothing 38 mm closed

BN 55953 | Steel, zinc plated



Code	d ₁	d ₂
F1/B38A-M4HEX	M4	38
F1/B38A-M8HEX	M8	38
F1/B38A-M10HEX	M10	38



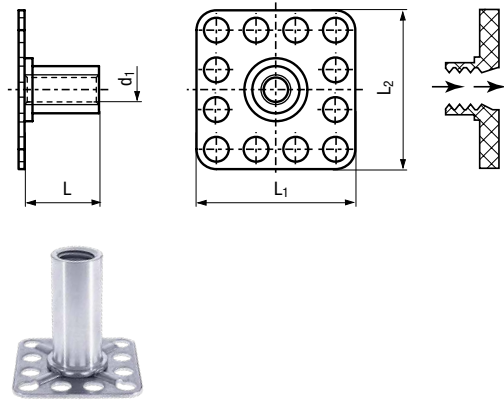
Extended range includes a wide variety of product types. Please refer to your local Bossard E-Shop for the current assortment and dimensions. Other variants upon request.

Extended range

Threaded collar

bigHead® SF2/S32 Fastener with threaded collar square head 32 x 32 mm open

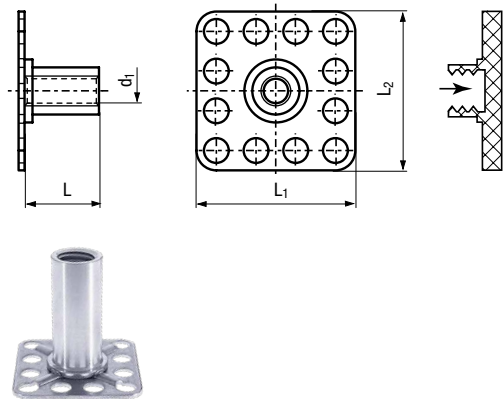
BN 26050 | Stainless steel A4



Code	d ₁	L	L ₁	L ₂
SF2/S32-M4x5	M4	5	32	32
SF2/S32-M6x10	M6	10	32	32
SF2/S32-M6x15	M6	15	32	32
SF2/S32-M6x20	M6	20	32	32
SF2/S32-M8x6	M8	6	32	32
SF2/S32-M8x10	M8	10	32	32
SF2/S32-M8x15	M8	15	32	32
SF2/S32-M8x20	M8	20	32	32
SF2/S32-M10x20	M10	20	32	32

bigHead® SF2/B32 Fastener with threaded collar square head 32 x 32 mm closed

BN 26049 | Stainless steel A4



Code	d ₁	L	L ₁	L ₂
SF2/B32-M4x10	M4	10	32	32
SF2/B32-M5x10	M5	10	32	32
SF2/B32-M6x10	M6	10	32	32
SF2/B32-M6x15	M6	15	32	32
SF2/B32-M6x20	M6	20	32	32
SF2/B32-M8x10	M8	10	32	32
SF2/B32-M8x15	M8	15	32	32
SF2/B32-M8x20	M8	20	32	32

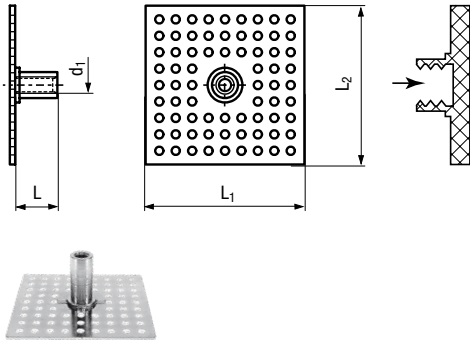
Extended range includes a wide variety of product types. Please refer to your local Bossard E-Shop for the current assortment and dimensions. Other variants upon request.

Extended range

Threaded collar

bigHead® SF2/B58 Fastener with threaded collar square head 58 x 58 mm closed

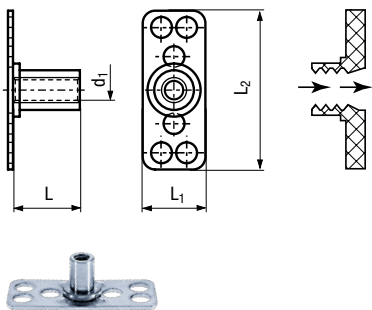
BN 26062 | Stainless steel A4



Code	d ₁	L	L ₁	L ₂
SF2/B58-M6x15	M6	15	58	58

bigHead® F2/ST38 Fastener with threaded collar rectangular head 15 x 38 mm open

BN 26060 | Steel, zinc plated



Code	d ₁	L	L ₁	L ₂
F2/ST38-M4x5	M4	5	15	38
F2/ST38-M5x5	M5	5	15	38
F2/ST38-M5x10	M5	10	15	38
F2/ST38-M6x5	M6	5	15	38
F2/ST38-M6x10	M6	10	15	38
F2/ST38-M6x14	M6	14	15	38
F2/ST38-M6x16	M6	16	15	38
F2/ST38-M8x14	M8	14	15	38

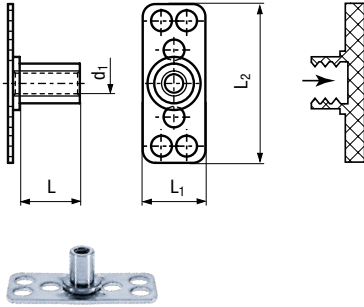
Extended range includes a wide variety of product types. Please refer to your local Bossard E-Shop for the current assortment and dimensions. Other variants upon request.

Extended range

Threaded collar

bigHead® F2/T38 Fastener with threaded collar rectangular head 15 x 38 mm closed

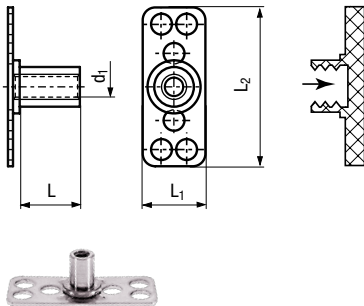
BN 26058 | Steel, zinc plated



Code	d ₁	L	L ₁	L ₂
F2/T38-M6X5	M6	5	15	38
F2/T38-M6X12	M6	12	15	38
F2/T38-M6X16	M6	16	15	38
F2/T38-M6X22	M6	22	15	38
F2/T38-M8X10	M8	10	15	38
F2/T38-M8X22	M8	22	15	38
F2/T38-M10x14	M10	14	15	38
F2/T38-M10x19	M10	19	15	38

bigHead® SF2/T38 Fastener with threaded collar rectangular head 15 x 38 mm closed

BN 26059 | Stainless steel A4



Code	d ₁	L	L ₁	L ₂
SF2/T38-M6x10	M6	10	15	38
SF2/T38-M6x15	M6	15	15	38
SF2/T38-M8x10	M8	10	15	38
SF2/T38-M8x20	M8	20	15	38

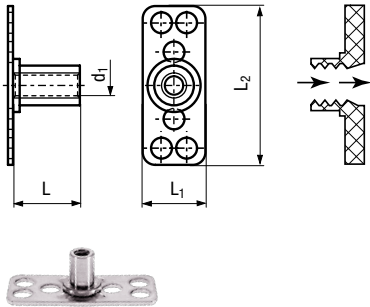
Extended range includes a wide variety of product types. Please refer to your local Bossard E-Shop for the current assortment and dimensions. Other variants upon request.

Extended range

Threaded collar

bigHead® SF2/ST38 Fastener with threaded collar rectangular head 15 x 38 mm open

BN 26061 | Stainless steel A4



Code	d ₁	L	L ₁	L ₂
SF2/ST38-M4x5	M4	5	15	38
SF2/ST38-M4x10	M4	10	15	38
SF2/ST38-M5x5	M5	5	15	38
SF2/ST38-M5x10	M5	10	15	38
SF2/ST38-M6x5	M6	5	15	38
SF2/ST38-M6x10	M6	10	15	38
SF2/ST38-M6x15	M6	15	15	38
SF2/ST38-M8x6	M8	6	15	38
SF2/ST38-M8x10	M8	10	15	38
SF2/ST38-M8x15	M8	15	15	38
SF2/ST38-M10x10	M10	10	15	38

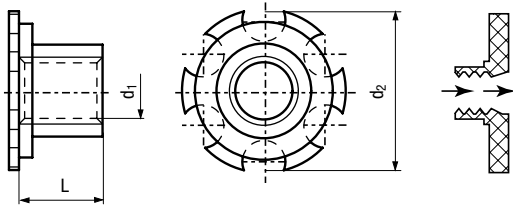
Extended range includes a wide variety of product types. Please refer to your local Bossard E-Shop for the current assortment and dimensions. Other variants upon request.

Extended range

Threaded collar

bigHead® F2/S19 Fastener with threaded collar round head \varnothing 19 mm open

BN 26041 | Steel, zinc plated

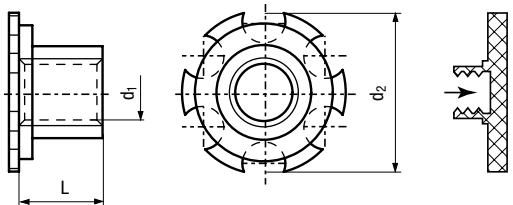


Code	d_1	L	d_2
F2/S19-M5x10	M5	10	19



bigHead® F2/B19 Fastener with threaded collar round head \varnothing 19 mm closed

BN 26040 | Steel, zinc plated



Code	d_1	L	d_2
F2/B19-M6x10	M6	10	19
F2/B19-M6x22	M6	22	19
F2/B19-M8x10	M8	10	19



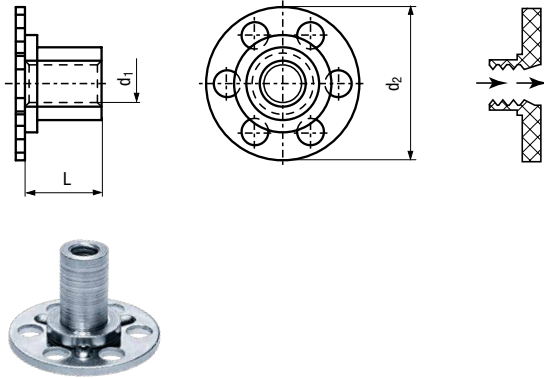
Extended range includes a wide variety of product types. Please refer to your local Bossard E-Shop for the current assortment and dimensions. Other variants upon request.

Extended range

Threaded collar

bigHead® F2/S20 Fastener with threaded collar round head \varnothing 20 mm open

BN 26044 | Steel, zinc plated



Code	d_1	L	Range
F2/S20-M4x5	M4	5	Extended
F2/S20-M6x10	M6	10	Extended
F2/S20-M6x22	M6	22	Extended

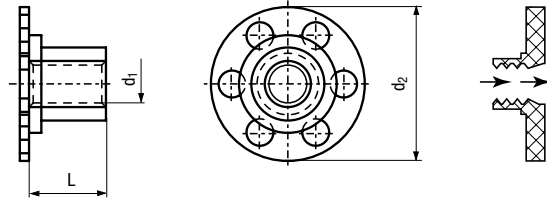
Extended range includes a wide variety of product types. Please refer to your local Bossard E-Shop for the current assortment and dimensions. Other variants upon request.

Extended range

Threaded collar

bigHead® F2/S23 Fastener with threaded collar round head \varnothing 23 mm open

BN 26100 | Steel, zinc plated

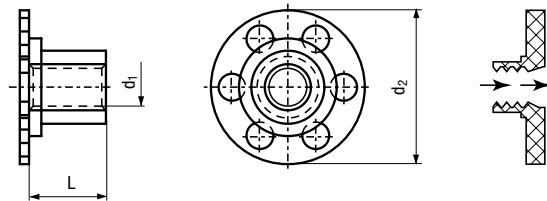


Code	d ₁	L	d ₂
F2/S23-M6x10	M6	10	23
F2/S23-M6x16	M6	16	23
F2/S23-M8x10	M8	10	23
F2/S23-M10x14	M10	14	23



bigHead® SF2/S23 Fastener with threaded collar round head \varnothing 23 mm open

BN 26048 | Stainless steel A4



Code	d ₁	L	d ₂
SF2/S23-M4x5	M4	5	23
SF2/S23-M5x5	M5	5	23
SF2/S23-M5x10	M5	10	23
SF2/S23-M6x5	M6	5	23
SF2/S23-M6x10	M6	10	23
SF2/S23-M6x20	M6	20	23
SF2/S23-M10x20	M10	20	23



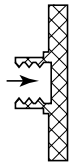
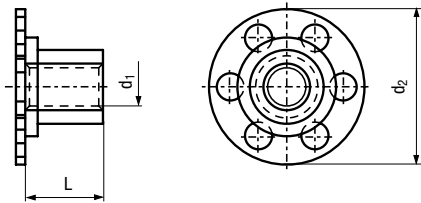
Extended range includes a wide variety of product types. Please refer to your local Bossard E-Shop for the current assortment and dimensions. Other variants upon request.

Extended range

Threaded collar

bigHead® F2/B23 Fastener with threaded collar round head \varnothing 23 mm closed

BN 26046 | Steel, zinc plated

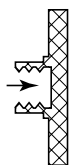
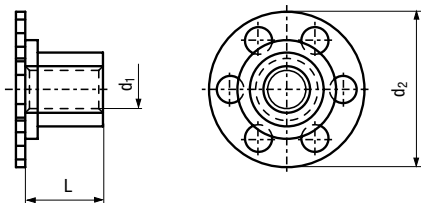


Code	d_1	L	d_2
F2/B23-M6x10	M6	10	23
F2/B23-M6x14	M6	14	23
F2/B23-M6x16	M6	16	23
F2/B23-M8x10	M8	10	23
F2/B23-M8x14	M8	14	23
F2/B23-M10x14	M10	14	23



bigHead® SF2/B23 Fastener with threaded collar round head \varnothing 23 mm closed

BN 26047 | Stainless steel A4



Code	d_1	L	d_2
SF2/B23-M4x10	M4	10	23
SF2/B23-M6x15	M6	15	23
SF2/B23-M8x15	M8	15	23
SF2/B23-M8x20	M8	20	23
SF2/B23-M10x20	M10	20	23



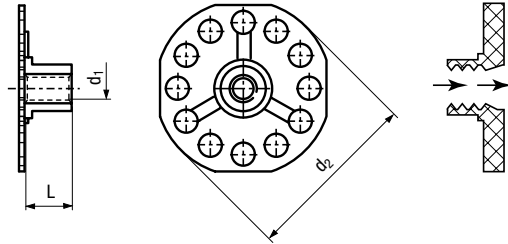
Extended range includes a wide variety of product types. Please refer to your local Bossard E-Shop for the current assortment and dimensions. Other variants upon request.

Extended range

Threaded collar

bigHead® F2/S38A Fastener with threaded collar rounded corner head \varnothing 38 mm open

BN 55954 | Steel, zinc plated

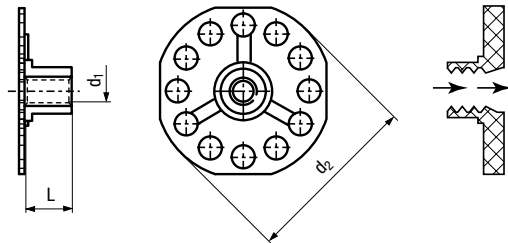


Code	d_1	L	d_2
F2/S38A-M6x14	6	14	38
F2/S38A-M8x10	8	10	38
F2/S38A-M8x14	8	14	38
F2/S38A-M10x10	10	10	38
F2/S38A-M10x22	10	22	38



bigHead® SF2/S38A Fastener with threaded collar rounded corner head \varnothing 38 mm open

BN 55955 | Stainless steel A4



Code	d_1	L	d_2
SF2/S38A-M6X10	6	10	38
SF2/S38A-M6X22	6	22	38
SF2/S38A-M8X20	8	20	38



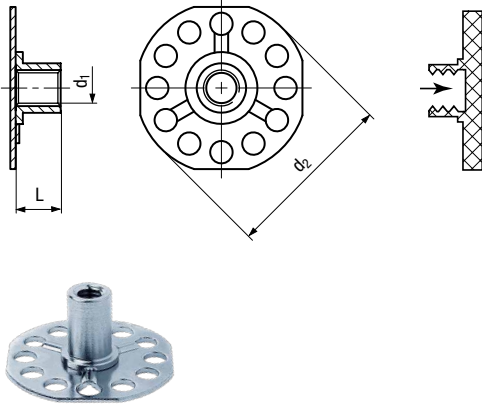
Extended range includes a wide variety of product types. Please refer to your local Bossard E-Shop for the current assortment and dimensions. Other variants upon request.

Extended range

Threaded collar

bigHead® F2/B38A Fastener with threaded collar rounded corner head \varnothing 38 mm closed

BN 55846 | Steel, zinc plated



Code	d ₁	L	d ₂
F2/B38A-M6x16	M6	16	38
F2/B38A-M8x14	M8	14	38
F2/B38A-M8x16	M8	16	38
F2/B38A-M8x22	M8	22	38
F2/B38A-M10x10	M10	10	38
F2/B38A-M10x14	M10	14	38
F2/B38A-M10x22	M10	22	38

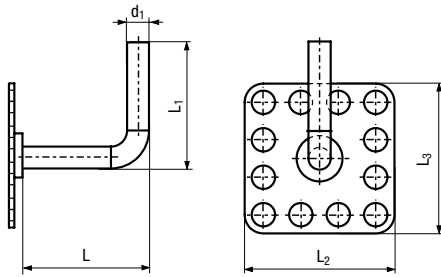
Extended range includes a wide variety of product types. Please refer to your local Bossard E-Shop for the current assortment and dimensions. Other variants upon request.

Extended range

Hook

bigHead® M6 Fastener with hook square head 32 x 32 mm

BN 26063 | Steel, zinc plated

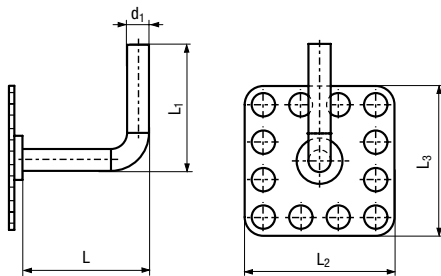


Code	d ₁	L	L ₁	L ₂	L ₃
M6/25x25	4,75	25	25	32	32



bigHead® SM6 Fastener with hook square head 32 x 32 mm

BN 5015 | Stainless steel A4



Code	d ₁	L	L ₁	L ₂	L ₃
SM6/25x25	4,75	25	25	32	32



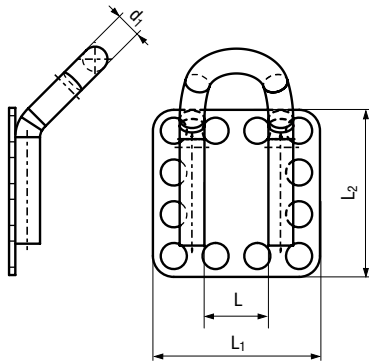
Extended range includes a wide variety of product types. Please refer to your local Bossard E-Shop for the current assortment and dimensions. Other variants upon request.

Extended range

Loop

bigHead® M7/B32-45° Fastener with loop square head 32 x 32 mm

BN 26064 | Steel, zinc plated

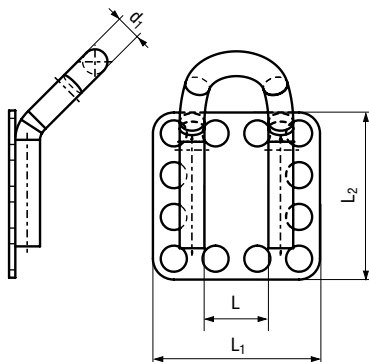


Code	d ₁	L	L ₁	L ₂
M7/B32-45° Loop	4,75	12,25	32	32



bigHead® SM7/B32-45° Fastener with loop square head 32 x 32 mm

BN 53544 | Stainless steel A4



Code	d ₁	L	L ₁	L ₂
SM7/B32-45° Loop	4,75	12,25	32	32



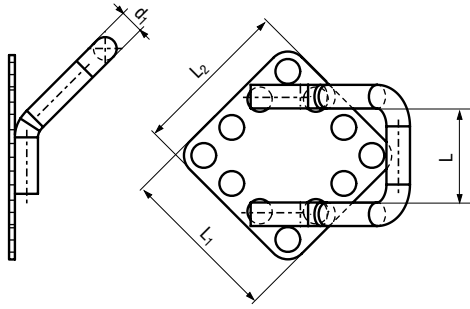
Extended range includes a wide variety of product types. Please refer to your local Bossard E-Shop for the current assortment and dimensions. Other variants upon request.

Extended range

Loop

bigHead® M7/B32-45° 19 Fastener with loop square head 32 x 32 mm

BN 26065 | Steel, zinc plated

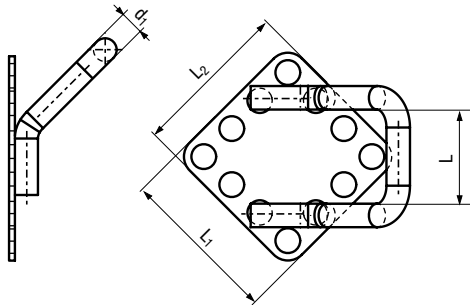


Code	d ₁	L	L ₁	L ₂
M7/B32-45° 19 Loop	4,75	19	32	32



bigHead® SM7/B32-45° 19 Fastener with loop square head 32 x 32 mm

BN 26066 | Stainless steel A4



Code	d ₁	L	L ₁	L ₂
SM7/B32-45° 19 Loop	4,75	19	32	32



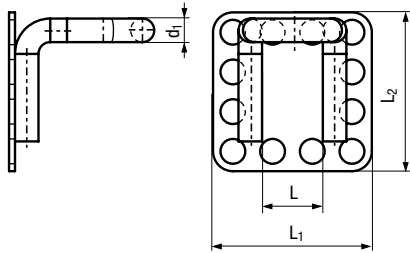
Extended range includes a wide variety of product types. Please refer to your local Bossard E-Shop for the current assortment and dimensions. Other variants upon request.

Extended range

Loop

bigHead® M8/B32-90° Fastener with loop square head 32 x 32 mm

BN 26067 | Steel, zinc plated

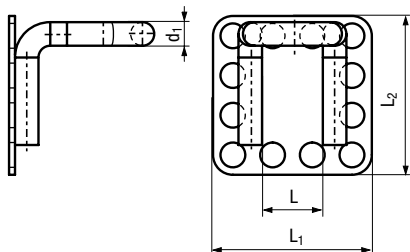


Code	d ₁	L	L ₁	L ₂
M8/B32-90° Loop	4,75	12,25	32	32



bigHead® SM8/B32-90° Fastener with loop square head 32 x 32 mm

BN 53545 | Stainless steel A4



Code	d ₁	L	L ₁	L ₂
SM8/B32-90° Loop	4,75	12,25	32	32



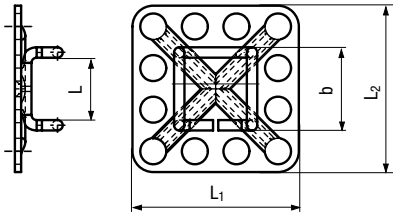
Extended range includes a wide variety of product types. Please refer to your local Bossard E-Shop for the current assortment and dimensions. Other variants upon request.

Extended range

Cable clamp

bigHead® SB32 Fastener with cable clamp square head 32 x 32 mm

BN 26068 | Stainless steel A4

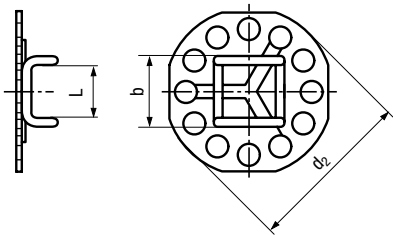


Code	b	L	L ₁	L ₂
SB32-CableTyrap-12	16	12	32	32



bigHead® B38A Fastener with cable clamp rounded corner head ø 38 mm

BN 55949 | Steel, zinc plated

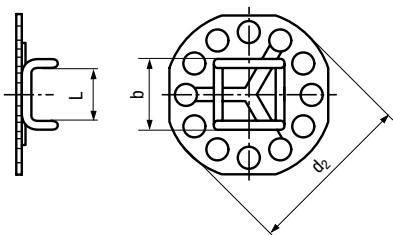


Code	b	L	d ₂
B38A-CableTyrap-12	16	12	38



bigHead® SB38A Fastener with cable clamp rounded corner head ø 38 mm

BN 55950 | Stainless steel A4



Code	b	L	d ₂
SB38A-CableTyrap-12	16	12	38

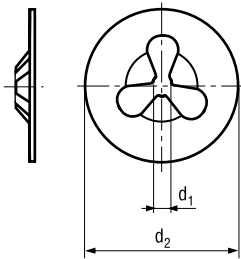


Extended range includes a wide variety of product types. Please refer to your local Bossard E-Shop for the current assortment and dimensions. Other variants upon request.

Extended range Accessories

bigHead® S3 Spring Clips fixing aid for pins and nails

BN 26074 | Stainless steel



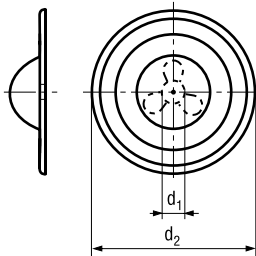
Code	d ₁	d ₂
S3-4,75	4,75	25,5

Suitable for this

- 53543** | Fastener with pin, square head 15 x 15 mm
- 26018** | Fastener with pin, square head 15 x 15 mm
- 26022** | Fastener with pin, rectangular head 15 x 38 mm
- 26019** | Fastener with pin, round head Ø 23 mm
- 55945** | Fastener with pin, rounded corner head Ø 38 mm

bigHead® S3E Spring Clips encapsulated, fixing aid for pins and nails

BN 26075 | Stainless steel



Code	d ₁	d ₂
S3E-3	3	39
S3E-4,75	4,75	39

Suitable for this

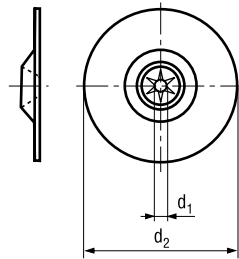
- 26146** | Fastener with nail, square head 32 x 32 mm
- 26139** | Fastener with nail, round head Ø 23 mm
- 26145** | Fastener with nail, round head Ø 30 mm
- 55947** | Fastener with nail, rounded corner head Ø 38 mm
- 55948** | Fastener with nail, rounded corner head Ø 38 mm
- 53543** | Fastener with pin, square head 15 x 15 mm
- 26018** | Fastener with pin, square head 15 x 15 mm
- 26022** | Fastener with pin, rectangular head 15 x 38 mm
- 26019** | Fastener with pin, round head Ø 23 mm
- 55946** | Fastener with pin, rounded corner head Ø 38 mm
- 55945** | Fastener with pin, rounded corner head Ø 38 mm

Extended range includes a wide variety of product types. Please refer to your local Bossard E-Shop for the current assortment and dimensions. Other variants upon request.

Extended range Accessories

bigHead® S6 Spring Clips fixing aid for pins and nails

BN 26077 | Stainless steel



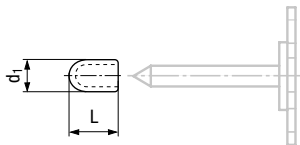
Code	d ₁	d ₂
S6-3	3	39

Suitable for this

- 26146** | Fastener with nail, square head 32 x 32 mm
- 26139** | Fastener with nail, round head Ø 23 mm
- 26145** | Fastener with nail, round head Ø 30 mm
- 55947** | Fastener with nail, rounded corner head Ø 38 mm
- 55948** | Fastener with nail, rounded corner head Ø 38 mm
- 55946** | Fastener with pin, rounded corner head Ø 38 mm

bigHead® Cover caps for nails

BN 26134



Code	d ₁	L
3 mm Nagel-Tips	3	9,5

Suitable for this

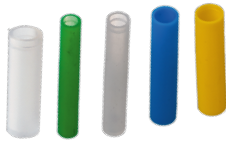
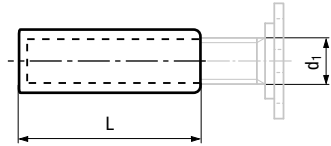
- 26146** | Fastener with nail, square head 32 x 32 mm
- 26139** | Fastener with nail, round head Ø 23 mm
- 26145** | Fastener with nail, round head Ø 30 mm
- 55947** | Fastener with nail, rounded corner head Ø 38 mm
- 55948** | Fastener with nail, rounded corner head Ø 38 mm

Extended range includes a wide variety of product types. Please refer to your local Bossard E-Shop for the current assortment and dimensions. Other variants upon request.

Extended range Accessories

bigHead® Cover caps for bigHeads with male thread

BN 26081 | Plastic



Code	d ₁	L	Color
M4x25S	M4	25	■
M4x50S	M4	50	■
M5x25S	M5	25	■
M5x50S	M5	50	■
M6x25S	M6	25	□
M6x50S	M6	50	□
M6x75S	M6	75	□
M8x25S	M8	25	■
M8x50S	M8	50	■
M8x75S	M8	75	■
M10x25S	M10	25	■
M10x50S	M10	50	■
M10x75S	M10	75	■

Suitable for use with

- 26000** | Fastener with threaded bolt, square head 15 x 15 mm
- 26001** | Fastener with threaded bolt, square head 15 x 15 mm
- 26008** | Fastener with threaded bolt, square head 32 x 32 mm
- 26011** | Fastener with threaded bolt, square head 58 x 58 mm
- 26009** | Fastener with threaded bolt, rectangular head 10 x 40 mm
- 26016** | Fastener with threaded bolt, rectangular head 15 x 38 mm
- 26017** | Fastener with threaded bolt, rectangular head 15 x 38 mm
- 26002** | Fastener with threaded bolt, round head Ø 19 mm
- 26101** | Fastener with threaded bolt, round head Ø 20 mm
- 26102** | Fastener with threaded bolt, round head Ø 20 mm
- 26004** | Fastener with threaded bolt, round head Ø 23 mm
- 26005** | Fastener with threaded bolt, round head Ø 23 mm
- 26006** | Fastener with threaded bolt, round head Ø 30 mm
- 26007** | Fastener with threaded bolt, round head Ø 30 mm
- 55844** | Fastener with threaded bolt, rounded corner head Ø 38 mm
- 55845** | Fastener with threaded bolt, rounded corner head Ø 38 mm
- 26014** | Fastener with threaded bolt, rounded corner head Ø 50 mm
- 26015** | Fastener with threaded bolt, rounded corner head Ø 50 mm

Extended range includes a wide variety of product types. Please refer to your local Bossard E-Shop for the current assortment and dimensions. Other variants upon request.

Disclaimer

This catalog was prepared by Bossard AG and/or its associated companies (hereinafter referred to as «Bossard») with utmost care and to the best of its knowledge and belief. However, Bossard assumes no responsibility for the topicality, correctness, or completeness of the information/tools provided. Bossard accepts no liability for direct or indirect damage/losses of a material or non-material nature resulting from the use of or failure to use the presented information/tools and/or the use of faulty information/tools. The catalog is provided for information purposes only and is for the exclusive use of the recipient. It does not constitute an offer or recommendation to buy or sell and does not release the recipient from his or her own assessment.

Publication subject to change. Bossard expressly reserves the right to change, supplement, delete, or discontinue the publication temporarily or permanently of pages or the complete publication without without separate announcement.

Not all brands are marketed in all countries. A possible distribution depends on the respective contractual agreements and the distribution rights issued by the owner of the brand. Individual products are available (to a limited extent) in certain countries.

All other brandnames and trademarks used within this catalog are unlimited subject to the applicable trademark laws and the ownership rights of their registered owners.

Current information

Current information on the terms and conditions (GTC) can be viewed at:

<https://www.bossard.com/global-en/about-us/download-center/general-terms-and-conditions/>

Current information on privacy policy information can be viewed at:

<https://www.bossard.com/global-en/privacy-policy/>

Imprint

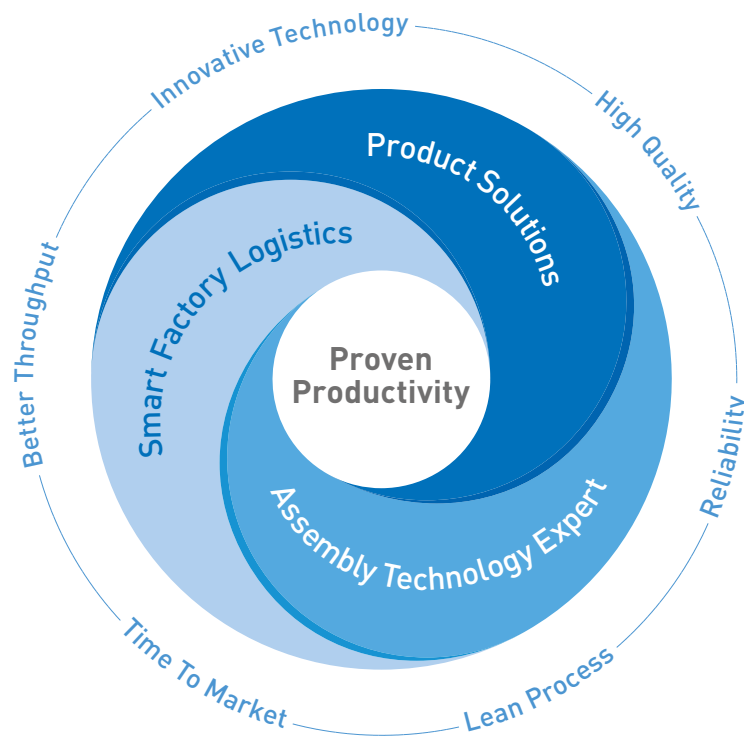
Copyright

This catalog is protected by the laws of intellectual property and competition. All rights are reserved, including reproduction, translation and recording and processing in electronic datatypes.

© Bossard AG, Steinhauserstrasse 70, CH-6301 Zug, 2021.09

PROVEN PRODUCTIVITY – A PROMISE TO OUR CUSTOMERS

The strategy for success



From years of cooperation with our customers we know what achieves proven and sustainable impact. We have identified what it takes to strengthen the competitiveness of our customers. Therefore we support our customers in three strategic core areas.

Firstly, when finding optimal **Product Solutions**, that is in the evaluation and use of the best fastening part for the particular function intended in our customers' products.

Second, our **Assembly Technology Expert** services deliver the smartest solutions for all possible fastening challenges. Our services cover from the moment our customers developing a new product, to

assembly process optimization as well as fastening technology education for our customers' employees.

And thirdly, optimising our clients' productions in a smart and lean way with **Smart Factory Logistics**, our methodology, with intelligent logistics systems and tailor-made solutions.

Understood as a promise to our customers, "Proven Productivity" contains two elements: Firstly, that it demonstrably works. And secondly, that it sustainably and measurably improves the productivity and competitiveness of our customers.

And this for us is a philosophy which motivates us every day to always be one step ahead.

www.bossard.com