



Operating instructions

BST-LB-1825: Li-Ion battery 18 V, 2.5 Ah

BST-LB-1850: Li-Ion battery 18 V, 5.0 Ah

NOTE

In case of doubt, the original German version of the operating instructions applies.

Table of contents

PAGE	4	1 General information	
		1.1	Importance of the operating instructions 4
		1.2	Used signs and symbols 4
		1.3	Structure of the warnings 5
PAGE	6	2 Basic safety instructions	
		2.1	Notices in the operating instructions 6
		2.2	Operator's responsibility 6
		2.2.1	Personnel's responsibility 6
		2.2.2	Personnel training 6
		2.3	Risks when working with the battery 7
		2.4	Danger from electrical energy 7
		2.5	Lithium-Ion battery 8
PAGE	10	3 Usage	
		3.1	Proper Intended Use 10
		3.2	Improper use 10
		3.3	Installing or removing the battery 10
		3.4	Guarantee and liability 11
		3.5	Copyright 12
PAGE	13	4 Technical data	
PAGE	15	CE Declaration of conformity	



Disposal

Power tools, batteries, accessories and packaging must be disposed of at an environmentally-compatible recycling facility. Power tools and batteries do not go into the household trash.

The recycling method may differ from country to country, or state (province) to state (province). Consult with your nearest Authorized Service Center or Distributor.

Only for EU countries:

Directive 2006/66/EG:

Do not dispose of battery pack together with household waste material! In observance of the European Directive 2006/66/EC, on Batteries and Accumulators and Waste Batteries and Accumulators and their implementation in accordance with national laws, batteries and battery pack(s) that have reached the end of their life must be collected separately and returned to an environmentally compatible recycling facility.

Drained batteries can be disposed of directly:

Germany:

Recyclingzentrum Elektrowerkzeuge
Osteroder Landstraße 3
37589 Kalefeld

Transport

Li-Ion batteries are subject to the specifications in the laws pertaining to hazardous goods. The batteries can be transported on roads by the user without further constraints. When shipping with third parties (e.g.: freight forwarders), special requirements must be observed for packaging and labeling!

Only ship batteries if the casing is not damaged. Cover the contacts with tape and package the battery so it cannot move around in the packaging. Please comply with other national and international requirements.

1 General information

1.1 Importance of the operating instructions

This information was prepared with the intention of being read, understood and complied with in all points by persons responsible for the operation of the BST-LB-1825 / BST-LB-1850.

Prior to start-up, please read the operating instructions and comply with the safety instructions. Work station faults can only be prevented if the contents of these operating instructions are known and fault-free operation can be ensured.



NOTICE

After reading the operating instructions, keep them in a place accessible to all operators.

We are not liable for damages and operational errors that result from non-compliance with these operating instructions. If difficulties arise nonetheless, please contact us and we will gladly provide assistance.

1.2 Used signs and symbols

Symbol	Erklärung
	Read instruction manual
	Do not discard batteries into garbage can or the like
	Do not expose or throw batteries into fire
	Do not expose or throw batteries into water
	EU conformity mark
	Always recycle batteries in accordance with local municipality

1.3 Structure of the warnings

Your safety and the safety of others are very important. We have provided important safety messages in this manual and on your battery pack. Always read and obey the below safety messages.



This is the safety alert symbol. It is used to alert you to potential hazards that can kill or hurt you and others.

All safety messages will follow the safety alert symbol and either the word “DANGER” or “WARNING”. These words mean:



DANGER

You can be killed or seriously injured if you don't immediately follow instructions.



WARNING

You can be killed or seriously injured if you don't follow instructions.



NOTICE

This warning symbol indicates additional information that will make your work easier.

2 Basic safety instructions

2.1 Notices in the operating instructions

The basic requirement for safe and proper use and fault-free operation is knowledge of the basic safety instructions and safety regulations.

In addition, the rules and regulations for the place of use must be followed.

2.2 Operator's responsibility

The operator is obligated to only allow persons to work with this battery who are familiar with the basic regulations for work safety and accident prevention and are trained in how to use the battery. Safety-conscious work of the personnel must be checked at regular intervals.

2.2.1 Personnel's responsibility

All persons working with this battery are obligated to comply with the basic regulations for work safety and accident prevention prior to starting work.

2.2.2 Personnel training

Only trained and qualified personnel may work with this battery. The responsibilities of the personnel for the assembly, start-up, operation, maintenance and servicing must be clearly defined. Personnel-in-training may only operate the battery in the presence of an experienced person.

2.3 Risks when working with the battery

Faults that may hinder safety must be immediately rectified.



DANGER

Only use the battery

- for the proper intended use
- in working order with regards to safety



WARNING

The battery was built in accordance with the state of the art in technology and the approved safety regulations. Still, when using it, risks to life and limb of the user or third parties or other material assets may arise.

2.4 Danger from electrical energy



DANGER

The battery must be kept closed at all times.

2.5 Lithium-Ion battery



WARNING

Please make sure to follow the following instructions for using lithium-ion batteries!

- a) **Only charge the batteries in chargers recommended by the manufacturer.** If the battery is not charged on a suitable charger, it can be permanently damaged. Refer to the manufacturer's instructions or equipment manual for proper charging instructions.
- b) **Only use the provided battery for power tools.** The use of other batteries can lead to injuries and fire hazards.
- c) **Do not dismantle, open or shred the battery.**
- d) **If the battery is not used for a longer period of time, it must not remain on the charger or on the tool.** If a work break of more than 3 hours is expected, the battery must be removed from the tool. Otherwise, the battery may be permanently damaged.
- e) **The lithium-ion battery should not remain on the charger for longer than 36 hours for safety reasons.** Remove the battery from the charger immediately after the charging process is completed.
- f) **An empty battery should not be in contact with the tool or a charger that is disconnected from the mains for a longer period of time.** In both cases, currents are flowing that deep discharge the battery and can permanently damage it.
- g) **Recharge the lithium-ion batteries immediately and never store them when empty.** If the battery is stored while disconnected from the tool and the charger, it will maintain a constant capacity over a long period of time. (Loss approx. 5 % per year)
- h) **Always transport the battery separately from the tool.** You thus prevent accidentally switching on the tool and deep discharging the battery.
- i) **Do not subject the lithium-ion battery to high temperatures (+ 50°C) or direct sunlight.** If the battery gets warmer than 50°C during operation (charging or discharging), it must be removed from the charger or tool immediately.
- j) **Keep the unused battery away from paper clips, coins, keys, nails, screws or other small metal objects which might bridge the contacts. Do not open the battery and do not short-circuit it.** A short-circuit between the battery contacts can lead to burns, fire or explosions.

- k) **Under extreme use or temperature conditions, batteries can leak.** Avoid contact with the skin or eyes if the battery leaks. The battery fluid is acidic and can cause chemical burns on tissue. If the fluid comes into contact with skin, immediately wash it with soap and water and then rinse it with lemon juice or vinegar. If the fluid gets into the eyes, flush with water for at least 10 minutes and immediately go to the doctor.
- l) **Make sure that the Li-Ion battery does not fall down or is subject to vibrations and impacts.**
- m) **Clean the contacts regularly with a cotton swab soaked in a high-percent alcohol.**

NOTICE



Lithium-ion batteries have nearly no self-discharge and do not have a memory effect. If properly used, they will reliably supply your tool with power for several years (approx. 700 - 1000 charge cycles).

In general the following applies:

Avoid deep discharging or overcharging the lithium-ion battery under any circumstances. It will be permanently damaged from this.

3 Usage

3.1 Proper Intended Use

The batteries may only be used as described in these instructions.
The batteries are intended to be used as energy source for cordless power tools.



WARNING

Proper intended use also includes:

- complying with all instructions in the operating instructions
- complying with the inspection and maintenance work.

Any other use or use beyond that is considered improper use. Neither HS-Technik GmbH as manufacturer nor Bossard AG as sales partner are liable for any resulting damage.

3.2 Improper use

We are not liable for damages and operational errors that result from non-compliance with these operating instructions or improper use.

3.3 Installing or removing the battery

- To install the battery, align the tongue of the battery with the groove in the casing so it can easily slide into place.
- Always slide it on completely until it locks with a click. Check that the battery is correctly locked in place before starting to work. If the battery is not installed properly, it can fall out of the tool and lead to injuries.
- Never use force when installing the battery. If the battery cannot be easily slide in, it has not been correctly installed.
- To remove the battery, set the rotation switch of the tool to the center position, slide the clip on the front side of the battery down and pull it forward away from the machine.



- 1) Clip
- 2) Remove battery

3.4 Guarantee and liability

Guarantee and liability claims for personal and material damages are excluded if they can be traced back to one or more of the following causes:

- improper use
- improper assembly, start-up, operation and maintenance
- operating the battery with defective safety equipment or improperly installed or non-functioning safety and protective equipment
- non-compliance with the instruction in the operating instructions pertaining to transport, storage, assembly, start-up, operation and maintenance of the battery
- unauthorized structural modifications to the battery
- improper repair
- catastrophes caused by foreign bodies and force majeure

3.5 Copyright

These operating instructions are only for the operator and its personnel. They contain the regulations and instructions, which may neither be completely nor partially

- reproduced
- edited or
- otherwise published.

The copyright of these operating instructions is retained by
HS-Technik GmbH / Bossard AG.

Address of the manufacturer:

HS-Technik GmbH
High - System - Technik

HS-Technik GmbH
Im Martelacker 12
D-79588 Efringen-Kirchen

Phone: +49 (0)7628 - 91 11-0
Telefax: +49 (0)7628 - 91 11-90
E-Mail: info@hs-technik.com
Internet: www.hs-technik.com

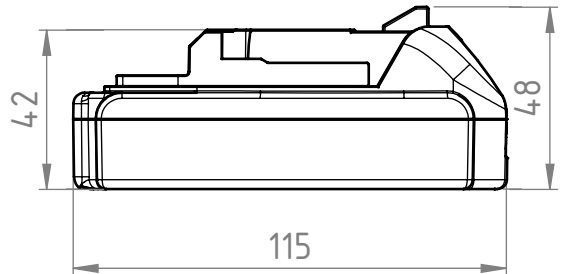
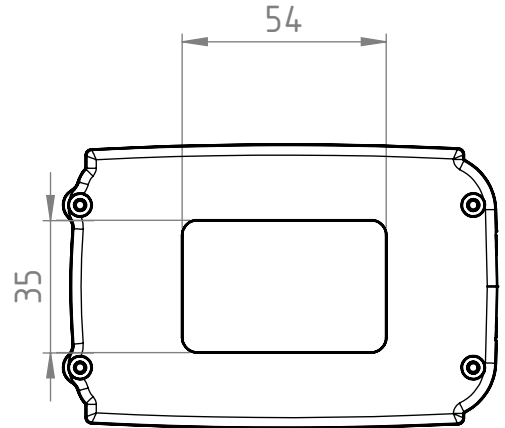
Address of the distributor:

BOSSARD
Proven Productivity

Bossard AG
Steinhauserstrasse 70
CH-6301 Zug

Phone: +41 41 749 6611
Telefax: +41 41 749 6622
E-Mail: bossard@bossard.com
Internet: www.bossard.com

4 Technical data



Order no.	BST-LB-1825
------------------	-------------

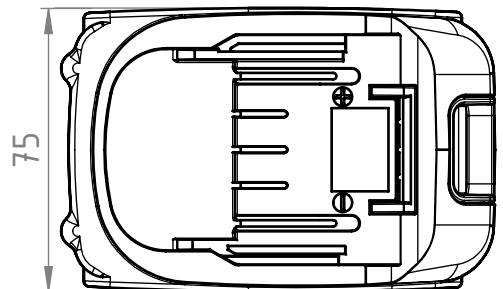
Voltage	18 V
----------------	------

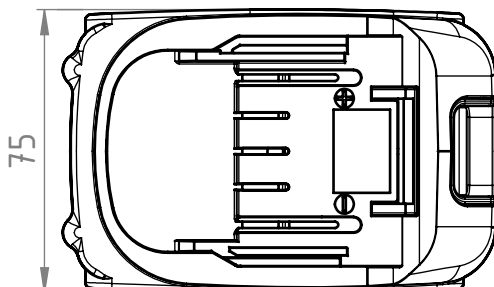
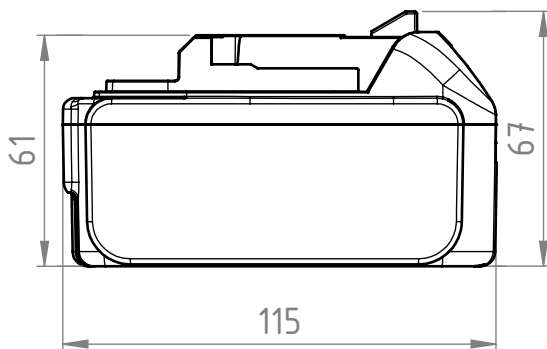
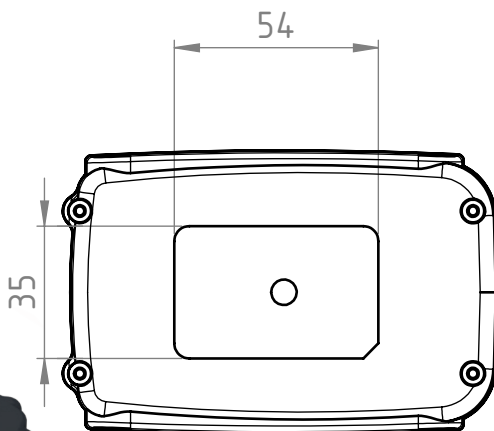
Capacity	2.5 Ah
-----------------	--------

Power	45 Wh
--------------	-------

Weight	0.360 kg / 0.794 lbs
---------------	-------------------------

Ambient temperatur (operation)	0...45 °C / 32...113 °F
---	----------------------------





Order no. BST-LB-1850

Voltage 18 V

Capacity 5.0 Ah

Power 90 Wh

Weight 0.600 kg /
1.322 lbs

**Ambient
temperatur
(operation)** 0...45 °C /
32...113 °F

CE Declaration of conformity

We, the manufacturer, hereby declare that the named tool complies with the essential protection requirements of the listed EU directives regarding design and construction type.

The prerequisite for this is the intended use of the tool as well as compliance with the installation and commissioning instructions.

If the product or its accessories are modified without our consent, this declaration becomes invalid.

Tool description: Li-Ion battery

Type designation: HST-PR-1825 / BST-LB-1825 and HST- PR-1850 / BST-LB-1850

Manufacturer: HS-Technik GmbH
Im Martelacker 12
D-79588 Efringen-Kirchen

Directives: 2006/42/EG

Applied standards: EN 62841-1:2015+AC:2015
EN 62841-2-2:2014+AC:2015
EN 62133-2:2017

HS-Technik GmbH
Im Martelacker 12, D-79588 Efringen-Kirchen

January 2020



H.-Martin Hanke
Geschäftsführer

