



FASTEKS®
Self-cutting threaded inserts



“Solid metal bushing to create high pull out forces in soft materials.”



FASTEKS® Threaded inserts

FASTEKS® steel or stainless steel threaded inserts create precise, durable internal threads in workpieces made of light metal alloy and other materials with low shear resistance.

Technical performances, installation recommendations as well as unspecified tolerances regarding the dimensions of the parts have to be requested individual for each application before starting the series production.

All dimensions are in mm.

More about FASTEKS®

www.bossard.com

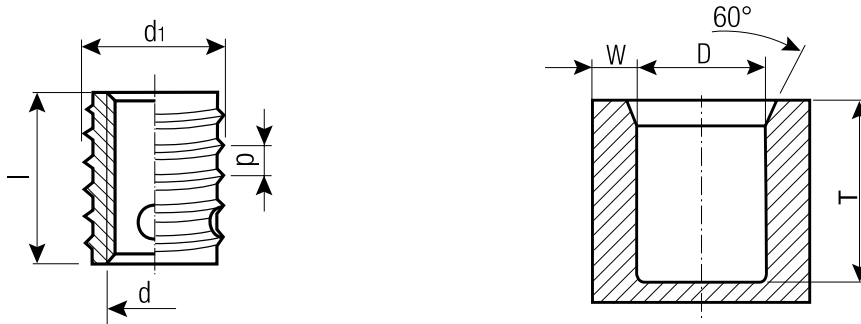
3-D Data: <https://bossard.partcommunity.com/3d-cad-models>

CUTTING HOLES SHORT

Threaded inserts

BN	Material*	
37962	ST	Case-hardened steel, zinc-plated, blue passivated, conform to RoHS
37956	SS43	Stainless steel 1.4305

Ordering data example: BN 37962 - M3



Part description	Threaded insert**				Location hole***					
	d	l	d ₁	p	Tmin	D Metal	D Plastic	Wmin Light alloys	Wmin Cast iron	Wmin Plastic
FTI07M3	M3	4	5	0.6	6	4.7-4.8	4.6-4.7	1.00	1.50	1.25
FTI07M4	M4	6	6.5	0.8	8	6.1-6.2	6.0-6.1	1.30	1.95	1.63
FTI07M5	M5	7	8	1	9	7.6-7.7	7.4-7.6	1.60	2.40	2.00
FTI07M6	M6	8	10	1.25	10	9.5-9.6	9.3-9.5	2.00	3.00	2.50
FTI07M8	M8	9	12	1.5	11	11.3-11.5	11.1-11.3	2.40	3.60	3.00
FTI07M10	M10	10	14	1.5	13	13.3-13.5	13.1-13.3	2.8	4.2	3.50
FTI07M12	M12	12	16	1.75	15	15.2-15.4	15.0-15.2	3.2	4.8	4.00
FTI07M14	M14	14	18	2	17	17.2-17.4	17.0-17.2	3.6	5.4	4.50
FTI07M16	M16	14	20	2	17	19.2-19.4	19.0-19.2	4	6	5.00

* Additional types on request

** **Tolerances:** Internal and external threads conform to Tolerance ISO 2 (6H), further dimensions ISO 2768-m.

*** **Installation data:** Please note that the mm dimensions quoted represent standard values and may vary depending on the material of the molded part. It is advisable to run trials prior to series production.

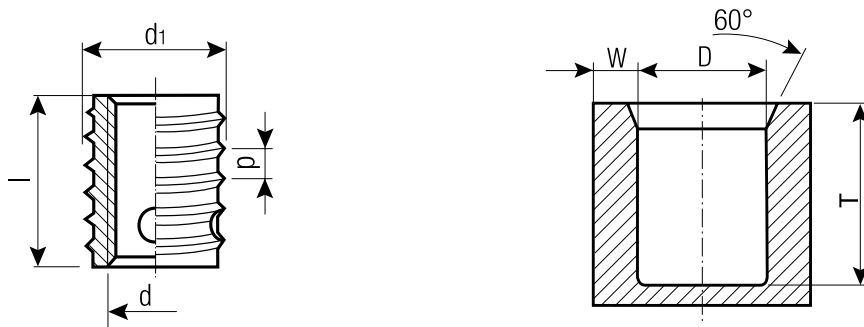
Subject to change without notice. Please refer to your local Bossard E-Shop for the current assortment and dimensions.

CUTTING HOLES LONG

Threaded inserts

BN	Material*	
55723	ST	Case-hardened steel, zinc-plated, blue passivated, conform to RoHS
55724	SS43	Stainless steel 1.4305

Ordering data example: BN 55723 - M3



Part description	Threaded insert**				Location hole***					
	d	l	d ₁	p	Tmin	D Metal	D Plastic	Wmin Light alloys	Wmin Cast iron	Wmin Plastic
FTI08M3	M3	6	5	0.6	8	4.7-4.8	4.6-4.7	1	1.5	1.25
FTI08M4	M4	8	6.5	0.8	10	6.1-6.2	6.0-6.1	1.3	1.95	1.63
FTI08M5	M5	10	8	1	13	7.6-7.7	7.4-7.6	1.6	2.4	2.00
FTI08M6	M6	12	10	1.25	15	9.5-9.6	9.3-9.5	2	3	2.50
FTI08M8	M8	14	12	1.5	17	11.3-11.5	11.1-11.3	2.4	3.6	3.00
FTI08M10	M10	18	14	1.5	22	13.3-13.5	13.1-13.3	2.8	4.2	3.50
FTI08M12	M12	22	16	1.75	26	15.2-15.4	15.0-15.2	3.2	4.8	4.00
FTI08M14	M14	24	18	2	28	17.2-17.4	17.0-17.2	3.6	5.4	4.50
FTI08M16	M16	24	20	2	28	19.2-19.4	19.0-19.2	4	6	5.00

* Additional types on request

** **Tolerances:** Internal and external threads conform to Tolerance ISO 2 (6H), further dimensions ISO 2768-m.

*** **Installation data:** Please note that the mm dimensions quoted represent standard values and may vary depending on the material of the molded part. It is advisable to run trials prior to series production.

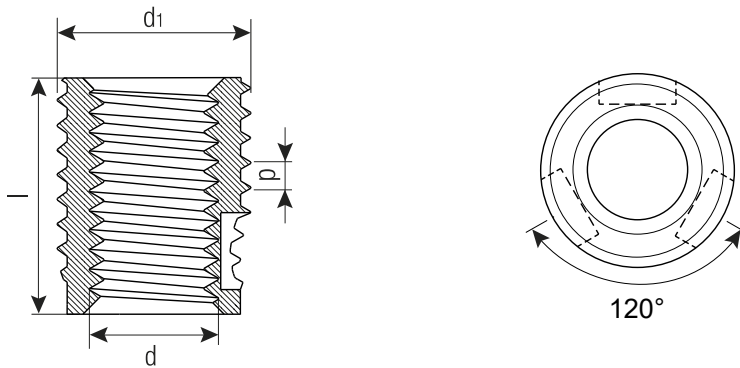
Subject to change without notice. Please refer to your local Bossard E-Shop for the current assortment and dimensions.

CHIP RESERVOIR SHORT

Threaded inserts

BN	Material*	
BN 55725	ST	Case-hardened steel, zinc-plated, blue passivated, conform to RoHS
BN 55727	SS43	Stainless steel 1.4305

Ordering data example: BN 55725 - M3



Part description	Threaded insert**				Location hole***					
	d	l	d ₁	p	Tmin	D Metal	D Plastic	Wmin Light alloys	Wmin Cast iron	Wmin Plastic
FTI37M4	M4	6	6.5	0.8	8	6.1-6.2	6.0-6.2	1.3	1.95	1.63
FTI37M5	M5	7	8	1	9	7.6-7.7	7.4-7.7	1.6	2.4	2.00
FTI37M6	M6	8	10	1.25	10	9.5-9.6	9.3-9.6	2	3	2.50
FTI37M8	M8	9	12	1.5	11	11.3-11.5	11.1-11.5	2.4	3.6	3.00
FTI37M10	M10	10	14	1.5	13	13.3-13.5	13.1-13.5	2.8	4.2	3.50

* Additional types on request

** **Tolerances:** Internal and external threads conform to Tolerance ISO 2 (6H), further dimensions ISO 2768-m.

*** **Installation data:** Please note that the mm dimensions quoted represent standard values and may vary depending on the material of the molded part. It is advisable to run trials prior to series production.

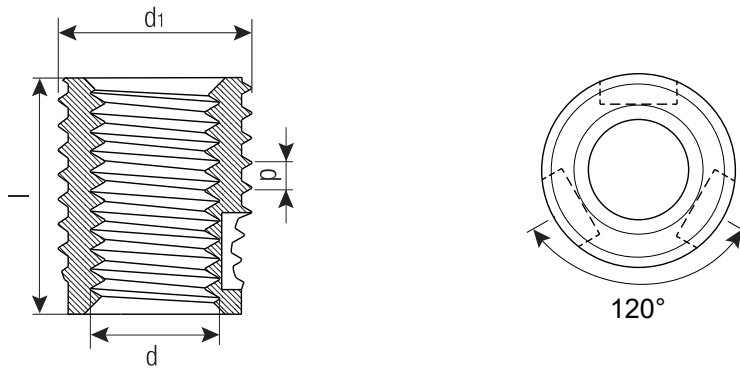
Subject to change without notice. Please refer to your local Bossard E-Shop for the current assortment and dimensions.

CHIP RESERVOIR LONG

Threaded inserts

BN	Material*	
BN 55726	ST	Case-hardened steel, zinc-plated, blue passivated, conform to RoHS
BN 55728	SS43	Stainless steel 1.4305

Ordering data example: BN 55726 - M3



Part description	Threaded insert**				Location hole***					
	d	l	d ₁	p	Tmin	D Metal	D Plastic	Wmin Light alloys	Wmin Cast iron	Wmin Plastic
FTI38M4	M4	8	6.5	0.8	10	6.1-6.2	6.0-6.2	1.3	1.95	1.63
FTI38M5	M5	10	8	1	13	7.6-7.7	7.4-7.7	1.6	2.4	2.00
FTI38M6	M6	12	10	1.25	15	9.5-9.6	9.3-9.6	2	3	2.50
FTI38M8	M8	14	12	1.5	17	11.3-11.5	11.1-11.5	2.4	3.6	3.00
FTI38M10	M10	18	14	1.5	22	13.3-13.5	13.1-13.5	2.8	4.2	3.50

* Additional types on request

** **Tolerances:** Internal and external threads conform to Tolerance ISO 2 (6H), further dimensions ISO 2768-m.

*** **Installation data:** Please note that the mm dimensions quoted represent standard values and may vary depending on the material of the molded part. It is advisable to run trials prior to series production.

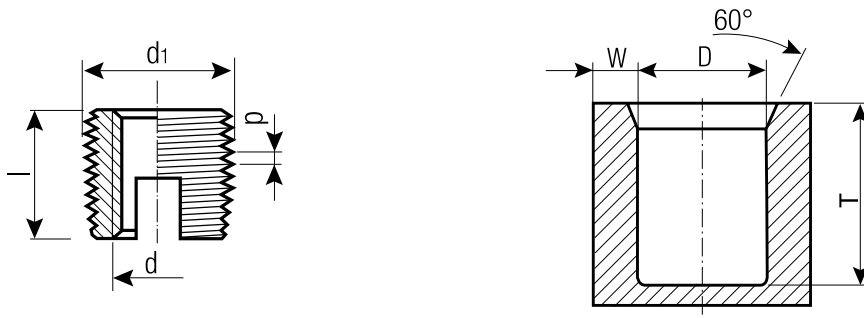
Subject to change without notice. Please refer to your local Bossard E-Shop for the current assortment and dimensions.

CUTTING SLOTS

Threaded inserts

BN	Material*	
37961	ST	Case-hardened steel, zinc-plated, blue passivated, conform to RoHS
37955	SS43	Stainless steel 1.4305

Ordering data example: BN 37961 - M3



Part description	Threaded insert**				Location hole***					
	d	l	d ₁	p	Tmin	D Metal	D Plastic	Wmin Light alloys	Wmin Cast iron	Wmin Plastic
FTI02M2.5	M2.5	6	4.5	0.5	8	4.2-4.3	4.1-4.2	0.9	1.35	1.13
FTI02M3	M3	6	5	0.5	8	4.7-4.8	4.6-4.7	1.00	1.50	1.25
FTI02M4	M4	8	6.5	0.75	10	6.1-6.2	6.0-6.1	1.30	1.95	1.63
FTI02M5	M5	10	8	1	13	7.5-7.6	7.3-7.5	1.60	2.40	2.00
FTI02M6	M6	14	10	1.5	17	9.2-9.4	8.9-9.2	2.00	3.00	2.50
FTI02M6a	M6a	12	9	1	17	8.5-8.6	8.3-8.5	1.8	2.7	2.25
FTI02M8	M8	15	12	1.5	18	11.2-11.4	10.9-11.2	2.40	3.60	3.00
FTI02M10	M10	18	14	1.5	22	13.2-13.4	12.9-13.2	2.8	4.2	3.50
FTI02M12	M12	22	16	1.5	26	15.2-15.4	14.8-15.2	3.2	4.8	4.00
FTI02M14	M14	24	18	1.5	28	17.2-17.4	16.8-17.2	3.6	5.4	4.50
FTI02M16	M16	22	20	1.5	27	19.2-19.4	18.8-19.2	4	6	5.00
FTI02M20	M20	30	26	1.5	32	25.2-25.4	24.8-25.2	5.2	7.8	6.50

* Additional types on request

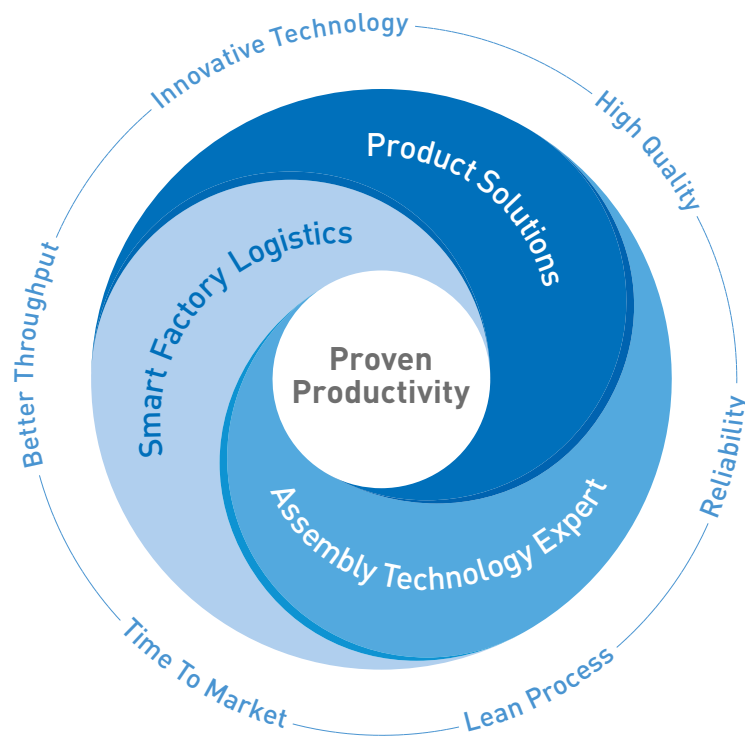
** Tolerances: Internal and external threads conform to Tolerance ISO 2 (6H), further dimensions ISO 2768-m.

*** Installation data: Please note that the mm dimensions quoted represent standard values and may vary depending on the material of the molded part. It is advisable to run trials prior to series production.

Subject to change without notice. Please refer to your local Bossard E-Shop for the current assortment and dimensions.

PROVEN PRODUCTIVITY – A PROMISE TO OUR CUSTOMERS

The strategy for success



From years of cooperation with our customers we know what achieves proven and sustainable impact. We have identified what it takes to strengthen the competitiveness of our customers. Therefore we support our customers in three strategic core areas.

Firstly, when finding optimal **Product Solutions**, that is in the evaluation and use of the best fastening part for the particular function intended in our customers' products.

Second, our **Assembly Technology Expert** services deliver the smartest solutions for all possible fastening challenges. Our services cover from the moment our customers developing a new product, to

assembly process optimization as well as fastening technology education for our customers' employees.

And thirdly, optimising our clients' productions in a smart and lean way with **Smart Factory Logistics**, our methodology, with intelligent logistics systems and tailor-made solutions.

Understood as a promise to our customers, "Proven Productivity" contains two elements: Firstly, that it demonstrably works. And secondly, that it sustainably and measurably improves the productivity and competitiveness of our customers.

And this for us is a philosophy which motivates us every day to always be one step ahead.

www.bossard.com