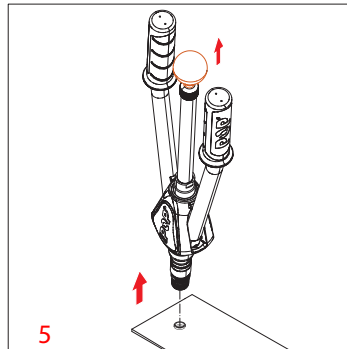
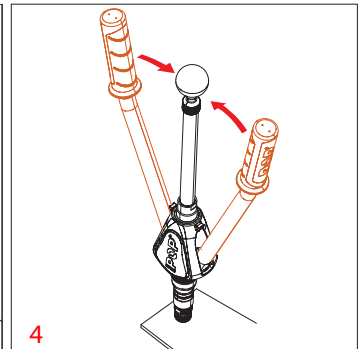
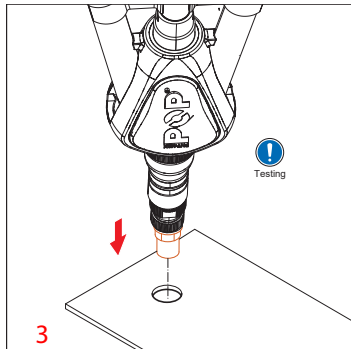
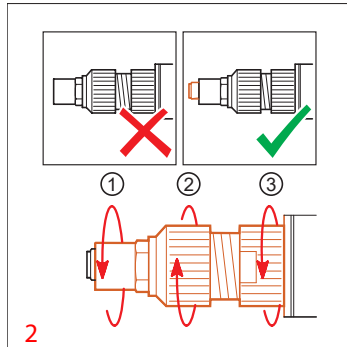
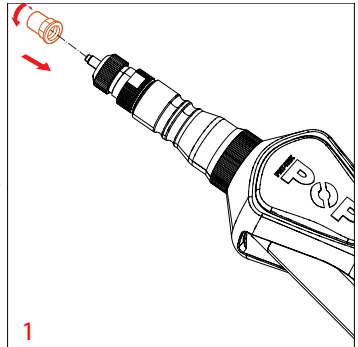
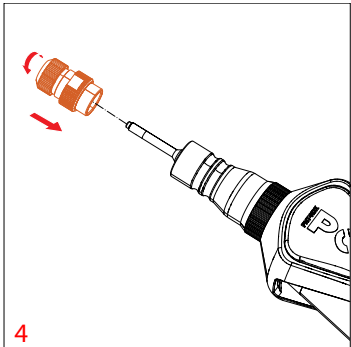
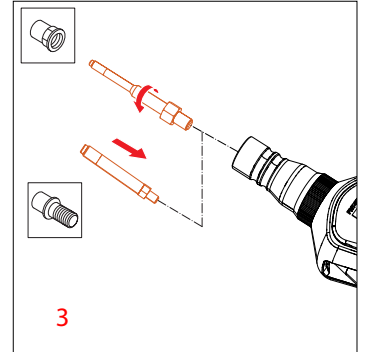
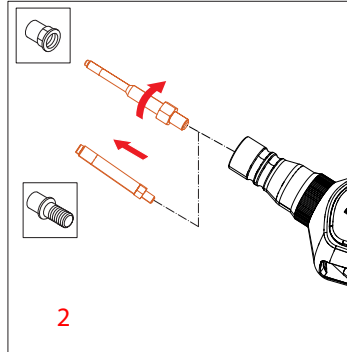
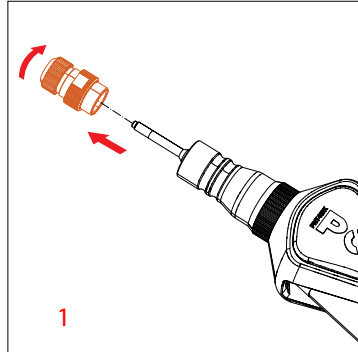


PNT410X& PNT410XI



PNT410X& PNT410XI



CAPACITY IN STEEL		
Metric	Imperial	
M5	10-24 UNC	
M6	1/4-20	
M8	5/16-18 UNC	
M10	1/2-13 UNC	

