
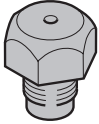
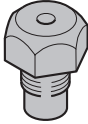
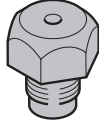


CAPACITY IN STEEL			
			
2,4 mm		4,0 mm	
3,0 - 3,2 mm			



	Metric [mm]	Size	Imperial [inch]	Nose piece
Standard Rivet	2,4	3	3/32	A
Standard Rivet	3,0 - 3,2	4	1/8	B
Standard Rivet	4,0	5	5/32	C

