
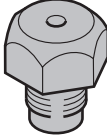
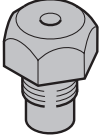
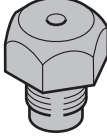
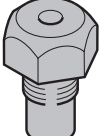
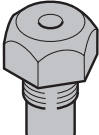


CAPACITY IN STEEL			
			
3,0 - 3,2 mm		4,8 - 5,0 mm	
4,0 mm		6,0 mm	
		6,4 mm	



	Metric [mm]	Size	Imperial [inch]	Nose piece
Standard Rivet	3,0 - 3,2	4	1/8	B
Standard Rivet	4,0	5	5/32	C
Standard Rivet	4,8 - 5,0	6	3/16	D
Standard Rivet	6,0	-	-	E
Standard Rivet	6,4	8	1/4	F

