

Instruction Manual/ *Instructions de service* / *Betriebsanleitung* / *Manuale d'istruzione*

**7530-2100**

Page 4 to 37

## **Hydro-pneumatic Power Tool**

**7530-2100**

Page 41 à 75

## ***Outil oléo hydro-pneumatiques***

**7530-2100**

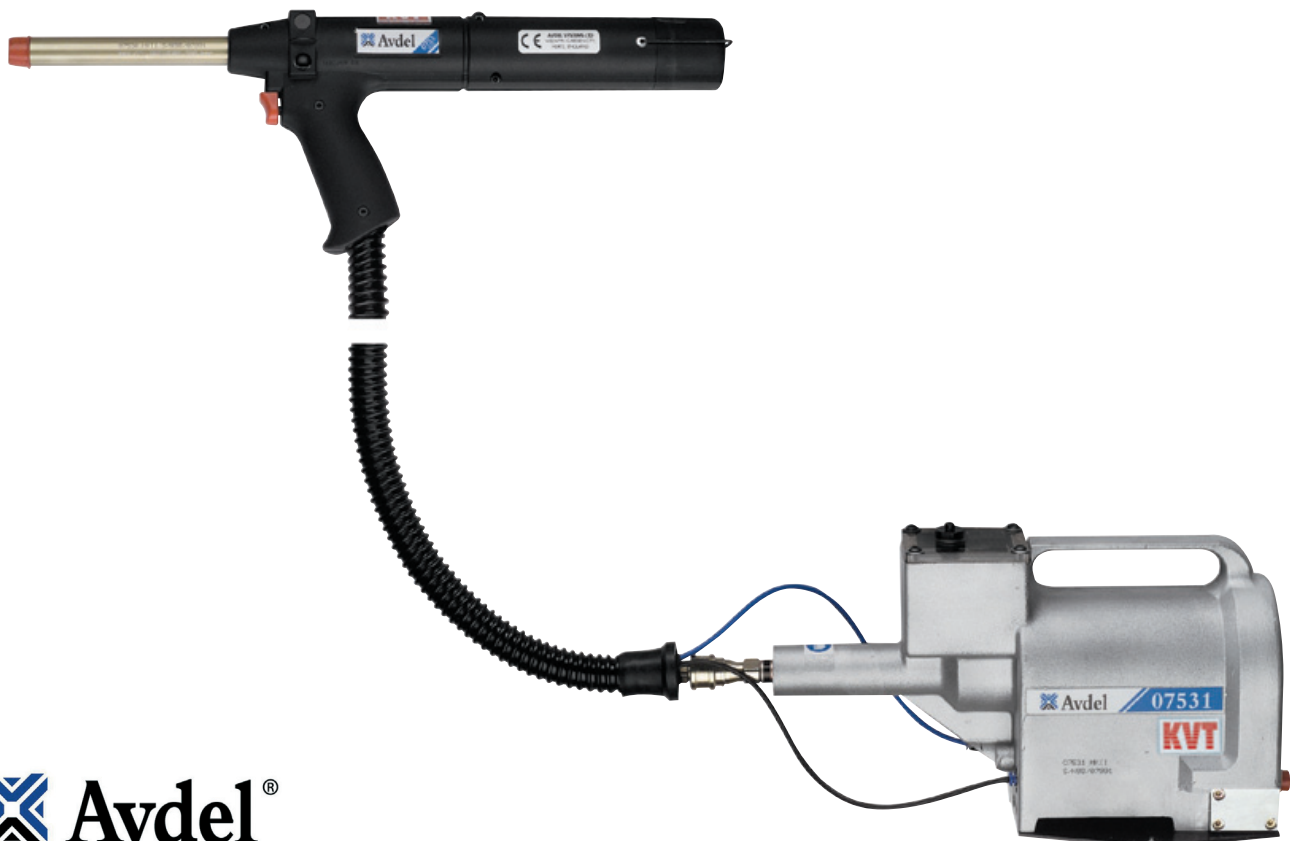
Seite 79 bis 113

## ***Druckluftgerät hydro-pneumatisch***

**7530-2100**

Seite 117 bis 151

## ***Attrezzo oleopneumatico***



**Avdel**<sup>®</sup>

An Acument™ Global Technologies Company



# Contents

<b>Safety Rules</b>	4	<b>Maintenance</b>	
<b>Specifications</b>		Dismantling 07530-02200 MkII	24-25
Specification for 0753 MkII Type Tool	5	Dismantling 07532-02200 MkII	26-27
Specification for 07531 Intensifier	5	General Assembly and Parts List 07530-02200 MkII	28-29
<b>Intent of Use</b>	6	General Assembly and Parts List 07532-02200 MkII	30-31
Tool Dimensions	7	Intensifier 07531-02200	32-33
<b>Putting into Service</b>		Pilot valve 07005-00590 Spares Information	34-35
Air Supply	8	<b>Priming</b>	
Mechanical Cursors	9	Oil Details	36
Cursor	10	Hyspin VG 32 and AWS 32 Oil Safety Data	36
Loading and Re-loading the Tool	10-11	Priming Procedure	36
Operating Procedure	11	<b>Fault Diagnosis</b>	
Mandrel Follower Springs Identification and Orientation	12	Symptom, Possible Cause & Remedy	37
<b>Nose Assemblies</b>		<b>Français</b>	41
Nose Jaws	13	<b>Deutsch</b>	79
Selecting a Nose Jaw	14	<b>Italiano</b>	117
Nose Jaw Selection Tables	15-16		
Mandrels and Mandrel Follower Springs	17		
Chobert® and Grovit® Selection Tables	17-18		
Briv® Selection Tables	19-20		
Mandrel Head Types and 'P' Length	20		
Avlug®, Avsert®, Avtronic® and Rivscrew® Selection Tables	21		
<b>Servicing the Tool</b>			
Daily / Weekly	22		
Moly Lithium Grease EP 3735 Safety Data	22		
Service Kit	23		

## Warranty

**Avdel installation tools carry a 12 month warranty against defects caused by faulty materials or workmanship, the warranty period commencing from the date of delivery confirmed by invoice or delivery note.**

**The warranty applies to the user/purchaser when sold through an authorised outlet, and only when used for the intended purpose. The warranty is invalidated if the installation tool is not serviced, maintained and operated according to the instructions contained in the Instruction and Service Manuals.**

**In the event of a defect or failure, and at its sole discretion, Avdel undertakes only to repair or replace faulty components.**

Avdel policy is one of continuous product development and improvement and we reserve the right to change the specification of any product without prior notice.

# Safety Rules

---

**This instruction manual must be read with particular attention to the following safety rules, by any person installing, operating, or servicing this tool.**

- 1 Do not use outside the design intent.
- 2 The Hand Tool and Intensifier have been tested as separate items and combined. They must only be used together and under no circumstances for any other purposes.
- 3 Do not use equipment with this tool/machine other than that recommended and supplied by Avdel.
- 4 Any modification undertaken by the customer to the tool/machine, nose assemblies, accessories or any equipment supplied by Avdel or their representatives, shall be the customer's entire responsibility. Avdel will be pleased to advise upon any proposed modification.
- 5 The tool/machine must be maintained in a safe working condition at all times and examined at regular intervals for damage and function by trained competent personnel. Any dismantling procedure shall be undertaken only by personnel trained in Avdel procedures. Do not dismantle this tool/machine without prior reference to the maintenance instructions. Please contact Avdel with your training requirements.
- 6 The tool/machine shall at all times be operated in accordance with relevant Health and Safety legislation. In the U.K. the "Health and Safety at Work etc. Act 1974" applies. Any question regarding the correct operation of the tool/machine and operator safety should be directed to Avdel.
- 7 The precautions to be observed when using this tool/machine must be explained by the customer to all operators.
- 8 Always disconnect the airline from the tool/machine inlet before attempting to adjust, fit or remove a nose assembly.
- 9 Do not operate a tool/machine that is directed towards any person(s) or the operator.
- 10 Always adopt a firm footing or a stable position before operating the tool/machine.
- 11 Ensure that vent holes do not become blocked or covered and that hoses are always in good condition.
- 12 The operating pressure shall not exceed 7 bar (100 lbf/in<sup>2</sup>).
- 13 The combination of fastener, mandrel, hole size and sheet thickness shall be in accordance with Avdel Specifications.
- 14 Do not operate the tool if it is not fitted with a complete nose assembly unless specifically instructed otherwise.
- 15 When using the tool, the wearing of safety glasses is required both by the operator and others in the vicinity to protect against fastener ejection, should a fastener be placed 'in air'. We recommend wearing gloves if there are sharp edges or corners on the application.
- 16 Take care to avoid entanglement of loose clothes, ties, long hair, cleaning rags etc. in the moving parts of the tool which should be kept dry and clean for best possible grip.
- 17 When carrying the tool from place to place keep hands away from the trigger/lever to avoid inadvertent startup.
- 18 Excessive contact with hydraulic oil should be avoided. To minimize the possibility of rashes, care should be taken to wash thoroughly.

## **I M P O R T A N T**

**While a small amount of wear and marking will naturally occur through normal and correct use of mandrels, they must be regularly examined for excessive wear and marking, with particular attention to the head diameter, the tail jaw gripping area of the shank or heavy pitting of the shank and any mandrel distortion. Mandrels which fail during use could forcibly exit the tool. It is the customer's responsibility to ensure that mandrels are replaced before any excessive levels of wear and always before the maximum recommended number of placings. Contact your Avdel representative who will let you know what that figure is by measuring the broach load of your application with a calibrated test tool. These tools can also be purchased under Part Number 07900-09080, supplied with all necessary information for testing in this manual.**

## Specification for 0753 Mk II Type Tool

---

<b>Air Pressure</b>	Minimum - Maximum	5-7 bar (70-100 lbf/in <sup>2</sup> )
<b>Free Air Volume Required</b>	@ 5.1 bar /75 lbf/in <sup>2</sup>	2.6 litres (0.09 ft <sup>3</sup> )
<b>Stroke</b>	Minimum	30.0 mm (1.18 in)
<b>Pull Force</b>	@ 5.5 bar /80 lbf/in <sup>2</sup>	3.89 kN (875 lbf)
<b>Cycle time</b>	Approximately	1 second
<b>Noise Level</b>	Less than	70 dB(A)
<b>Weight</b>	Pistol	1.2 kg (2.64 lb)
<b>Vibration</b>	Less than	2.5 m/s <sup>2</sup> (8 ft/s <sup>2</sup> )

## Specification for 07531 Intensifier

---

<b>Air Pressure</b>	Minimum - Maximum	5-7 bar (70-100 lbf/in <sup>2</sup> )
<b>Intensification Ratio</b>		32:1

# Intent of Use

---

The pneumatic 0753 MkII type tool is designed to place Avdel® speed fasteners (except 1/16" Avlug®) making it ideal for batch or flow-line assembly in a wide variety of applications throughout all industries.

The Hand Tool and Intensifier have been tested as separate items and combined. They must only be used together and for no other purposes. Refer to "Putting into Service" on page 8 for connection details.

Both models, the 07530 MkII and 07532 MkII are hand-held lightweight tools. Their only difference lies in the location of the hose entry. The top entry on the 07532 MkII tool allows suspension from an added mounting plate, see drawing opposite. Part numbers are shown to order a complete tool including the intensifier and all hoses but no nose equipment.

The pistol number for the 07530 MkII model is 07530-02200 and is 07532-02200 for the 07532 MkII model. See the general assemblies on pages 28-31.

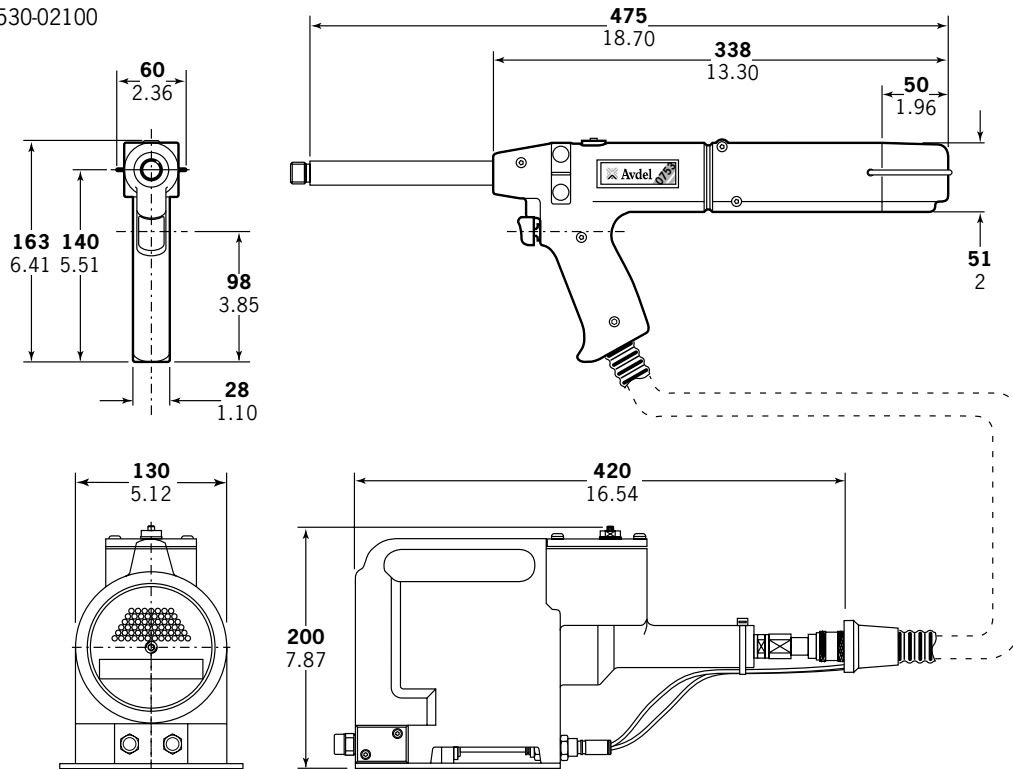
Both models will place the same fasteners and both will place most repetition fasteners, as shown in the table below.

Both models make use of the same nose equipment. Reference must be made to the Nose Equipment section of the manual when selecting compatible components for the type and size of fastener used in your application (see pages 13-21). Nose jaw dimensions are shown on page 14.

FASTENER NAME	FASTENER SIZE											
	3/32"	1/8"	5/32"	3/16"	1/4"	2.5mm 2.8mm	3mm	3.5mm	4mm	6mm	M2.5 4-40 UNC	M3 6-32 UNC
CHOBERT®	●	●	●	●	●							
GROVIT®	●	●	●	●								
AVLUG®	●	●										
BRIV®	●	●	●	●						●		
RIVSCREW®						●	●	●	●			
AVTRONIC®						●						
AVSERT®											●	●

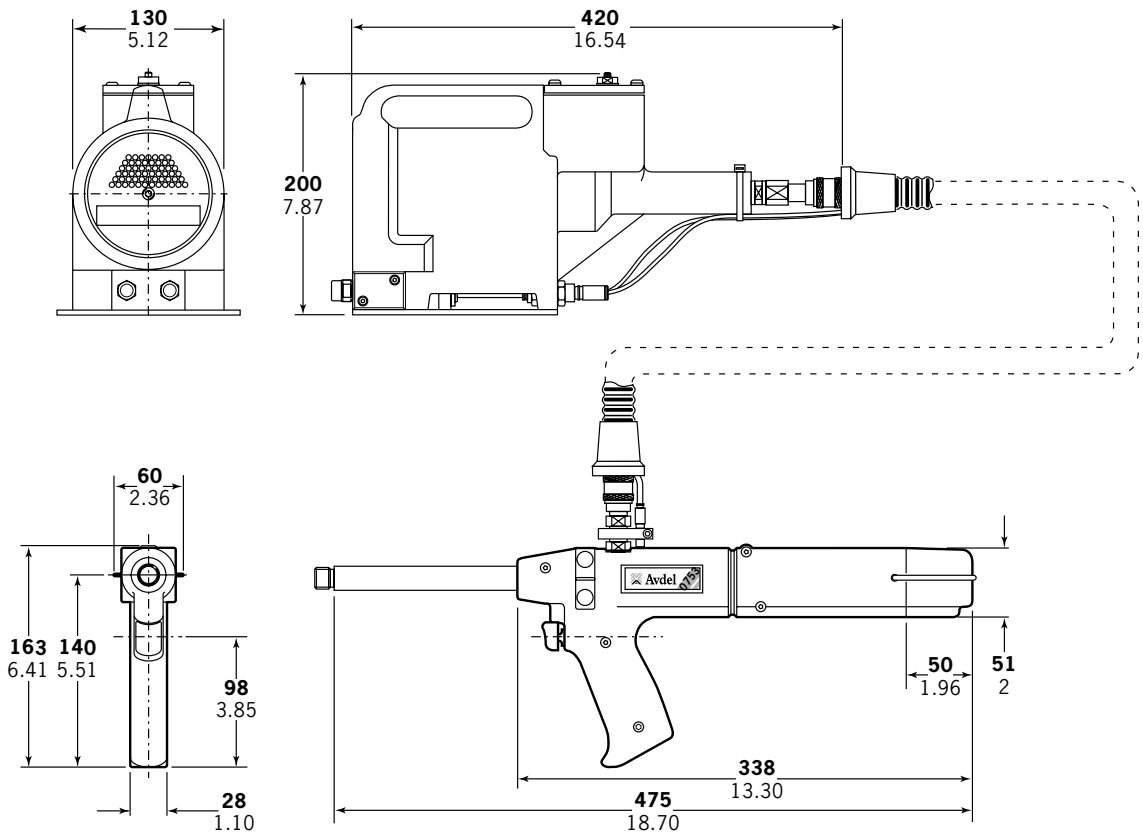
**Tool Dimensions - 07530 MkII Model**

Part Number 07530-02100



**Tool Dimensions - 07532 MkII Model**

Part Number 07532-02100



Dimensions shown in **bold** are millimetres. Other dimensions are in inches.

# Putting into Service

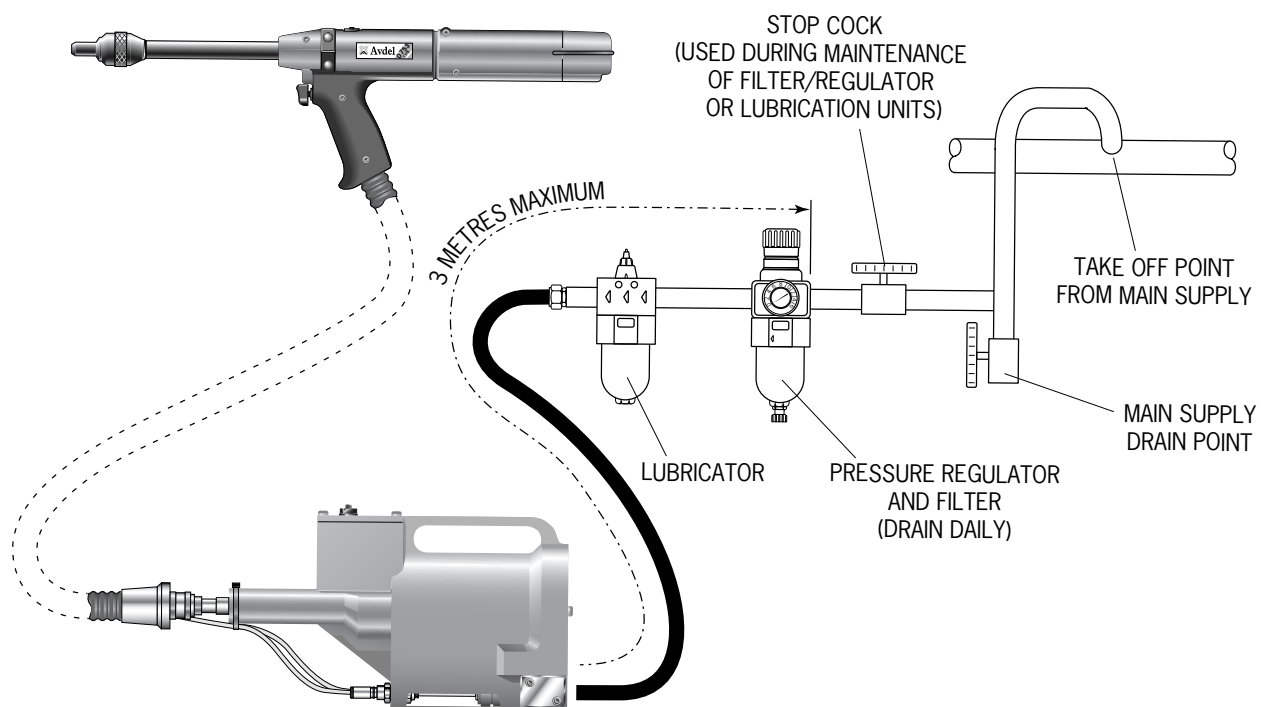
## Air Supply

---

All tools are operated with compressed air at an optimum pressure of 5.5 bar. We recommend the use of pressure regulators and automatic oiling/filtering systems on the main air supply. To ensure maximum tool life and minimum tool maintenance they should be fitted within 3 metres of the tool (see diagram below).

Air supply hoses should have a minimum working effective pressure rating of 150% of the maximum pressure produced in the system or 10 bar, whichever is the highest. Air hoses should be oil resistant, have an abrasion resistant exterior and should be armoured where operating conditions may result in hoses being damaged. All air supply hoses MUST have a minimum bore diameter of 6.4 millimetres or 1/4 inch.

Read daily servicing details page 22.

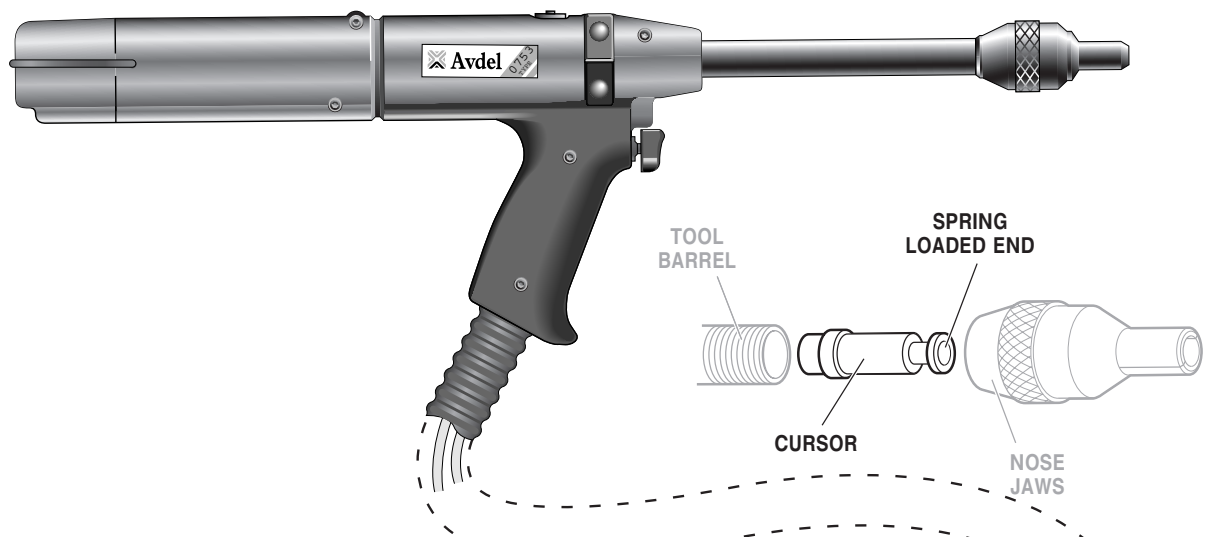


Follow the steps below when connecting the tool to the intensifier and main air supply:

- Push the end of the large hydraulic hose from the tool into the quick release connector on the end of the intensifier.
- On the front face of the intensifier:
  - Push the blue pneumatic (4mm OD) line into the reducer fitting which is located in the left hand bulkhead connector.
  - Push the black pneumatic (4mm OD) line into the plastic collet of the right hand bulkhead connector.
- Fit a pneumatic hose between the male connector at the rear of the intensifier and main air supply.



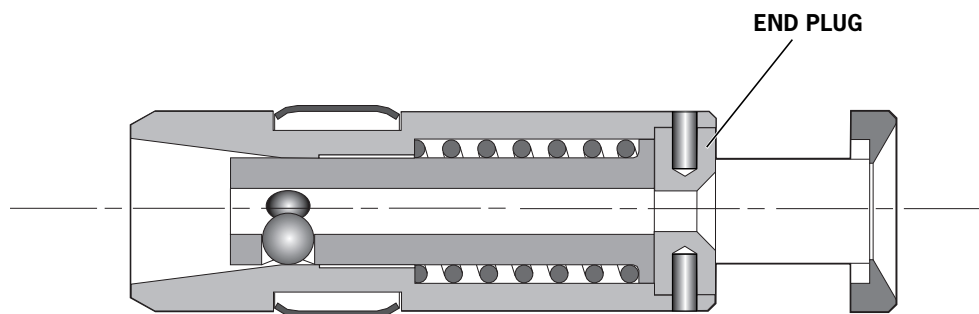
## Mechanical Cursors



For reference there are three different mechanical cursor types:

- 07271-01100            Used for Standard mandrels and 5/32" Disposable mandrels
- 07279-05843        Used for 1/8" Disposable mandrels
- 07279-05845        Used for 3/16" Disposable mandrels

The difference in the above assemblies is the internal diameter of the End Plug.



These are colour coded see below:

MECHANICAL CURSOR PART NO.	END PLUG PART NO.	COLOUR	HOLE DIAMETER (mm)
07271-01100	07150-00402	PLAIN STEEL	2.7
07279-05843	07159-05844	GOLD	2.2
07279-05845	07159-05846	SILVER	3.3

# Putting into Service

## Cursor

### IMPORTANT

**If fitted incorrectly, the cursor will not allow feeding of the fasteners.**

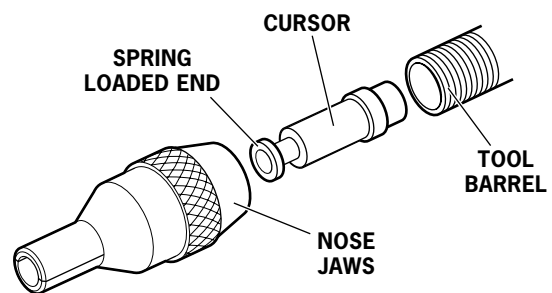
While the cursor will be fitted the correct way round when the tool is supplied, we recommend that you check its orientation before fitting the nose equipment. The sprung loaded, slightly concave, end of the cursor should point towards the front of the tool as shown in the illustration.

When fitted the correct way round, the cursor will easily slide out of the barrel when a mandrel is pushed into its centre then pulled back.

To reverse the orientation of the cursor, follow these steps:

Item numbers in **bold** refer to the general assembly and parts list for the 07530-02200 MkII type on pages 28-29. For the 07532-02200 MkII type, the procedure is the same but the part numbers must be taken from the general assembly and parts list on pages 30-31.

- Remove the clip **47** and slide off end cap **38**.
- Using an Allen Key, remove one cap head screw **44** ensuring that any trapped air is exhausted. remove the second cap head screw **44**.
- Pull out rear plug **46**.
- Pull out tail jaw piston assembly **14** together with jaws **9**.
- Lift out spring **13** and jaw housing **8**.
- Insert a mandrel into the hole in the rear end of barrel **25** until it protrudes through the front of the barrel, then pull out the mandrel and cursor together through the front.
- Reassemble components in reverse order.
- Insert Mechanical Cursor Assembly **5** into the front of the barrel, correct way round.



## Loading and Reloading the Tool

### IMPORTANT

**The procedure for loading the tool and for fitting the nose equipment to the tool is integral.**

When ordering a complete tool or system you will normally be supplied with all the nose equipment required for the fastener to be placed.

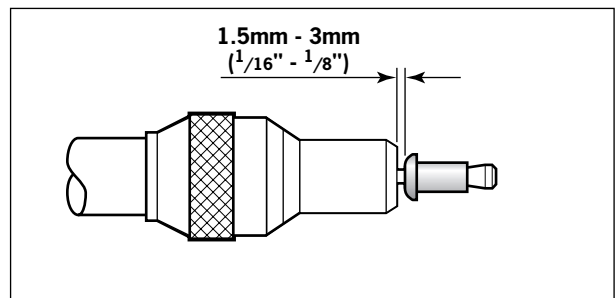
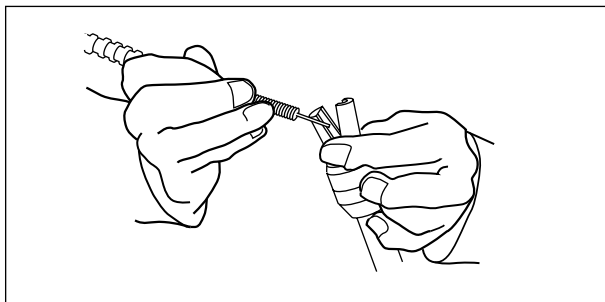
To identify nose equipment components or to select the correct elements, read the nose equipment section, on pages 13-21.

If you have been supplied with a nose jaw, mandrels and mandrel follower springs proceed with loading the tool and fitting the nose equipment as shown overleaf.

Item numbers in **bold** refer to the general assembly and parts list for the 07530-02200 MkII type on pages 28-29. For the 07532-02200 MkII type, the procedure is the same but the part numbers must be taken from the general assembly and parts list on pages 30-31.

## Loading the Tool

- Connect the air supply to the tool.
- Open tail jaws **9** which grip the mandrel, by switching off the tail jaw switch (items **26** and **30**).
- Screw selected nose jaws onto barrel **25** of the tool.
- n Insert a mandrel into the tail end of the fasteners through the paper pod.
- Slide the mandrel follower spring onto the mandrel ensuring correct orientation, as shown in the table on page 12.
- Gripping the tail end of the mandrel, tear off the paper pod from around the fasteners.
- Open the nose jaws either by rotating the outer ring on Cam operated jaws or by pushing outwards on the jaw ends, as illustrated below left.
- Insert the previously assembled mandrel, mandrel follower spring and fasteners into the nose jaws until the first fastener to be placed is protruding from the nose jaw.
- Close the nose jaws and adjust so that the first fastener protrudes by 1.5mm - 3mm ( $\frac{1}{16}''$  to  $\frac{1}{8}''$ ), as shown in the illustration below right.
- Close the tail jaws to ensure the mandrel is gripped, by switching on the tail jaw switch (items **26** and **30**).



## Reloading the Tool

- Open tail jaws **9** of tool.
- Open the nose jaws and pull the empty mandrel and mandrel follower spring out of the tool.
- Reload the tool by following the above instructions, starting at stage n.

## Operating Procedure

### IMPORTANT

**You must check that the cursor orientation and the nose equipment are correct before attempting to operate the tool.**

- Push the fastener, protruding from the nose jaws, fully into the application holes ensuring that the tool is held square.
- Operate the trigger without releasing - the mandrel head is pulled through the fastener, forming the fastener into the application.
- Remove the tool.
- Release the trigger. The next fastener will be automatically presented through the nose jaws, ready for placing.

Item numbers in **bold** refer to the general assembly and parts list for the 07530-02200 MkII type on pages 28-29. For the 07532-02200 MkII type, the procedure is the same but the part numbers must be taken from the general assembly and parts list on pages 30-31.

# Putting into Service

MANDREL FOLLOWER SPRINGS IDENTIFICATION AND ORIENTATION				
FASTENER		NOSE JAW (SEE NOSE EQUIPMENT SECTION)	MANDREL SIZE	MANDREL/MANDREL FOLLOWER SPRING AND FASTENER ASSEMBLY
NAME	SIZE			
BRIV®	3/32"	STANDARD TAPERED	ALL	
	3/32"	LIMITED ACCESS & LIMITED ACCESS CAM OPERATED	ALL	
	1/8"	ALL	ALL	
	5/32"	ALL	ALL	
	3/16"	ALL	ALL	
	6mm	STANDARD	ALL EXCEPT 3rd OVERSIZE	
CHOBERT® AVLUG® GROVIT®	3/32"	ALL EXCEPT STANDARD TAPERED, LIMITED ACCESS	ALL	
	3/32"	STANDARD TAPERED, LIMITED ACCESS	ALL	
	1/8"	ALL	ALL	
CHOBERT® GROVIT®	5/32"	ALL	ALL EXCEPT 3rd OVERSIZE	
	5/32"	ALL	3rd OVERSIZE	
	3/16"	ALL	ALL EXCEPT 2nd OVERSIZE	
	3/16"	ALL	2nd OVERSIZE	
CHOBERT®	1/4"	ALL	ALL	
RIVSCREW®	2.8mm	ALL	ALL	
	3mm	ALL	ALL	
	3.5mm	ALL	ALL	
	4mm	ALL	ALL	
AVSERT®	2.5mm	ALL	ALL	
	4 x 40 UNC	ALL	ALL	
	3mm 6 x 32 UNC	ALL	ALL	
AVTRONIC®	2.5mm	ALL	ALL	
	2.8mm	ALL EXCEPT LIMITED ACCESS	ALL	
	2.8mm	LIMITED ACCESS	ALL	

On speed fastening tools such as 0753 MkII type, the nose equipment always consists of three elements: a nose jaw, a mandrel and a mandrel follower spring. All three items are matched to the fastener being placed and to the hole size in the application.

### **I M P O R T A N T**

**To avoid complete dismantling of the tool it is essential to check the orientation of the cursor before fitting the nose equipment to the tool. See 'CURSOR' section on page 10.**

**It is essential that the correct nose equipment is fitted to the tool to ensure both effective placing of the fastener and SAFE operation of the tool. READ THE SAFETY INSTRUCTIONS page 4 carefully.**

To identify the correct combination of nose equipment to fit your tool first select a nose jaw by reading the section below then read the mandrel section to select part numbers both for the mandrel itself and for the mandrel follower spring. Mandrels and mandrel follower springs are illustrated on page 12.

To fit the nose equipment, follow the 'Loading the Tool' procedure page 11.

## **Nose Jaws**

### **I M P O R T A N T**

**The wrong nose jaw could result in an incorrectly placed fastener or incorrect clench.**

Nose Jaws can be categorised into 7 different basic shapes as illustrated opposite, even though internal dimensions will vary according to the fastener it is intended for. Exact dimensions referring to the letters in the illustrations opposite are indicated in the 'Nose Jaw Selection Tables' on pages 15-16.

For a particular shape, there may be several options of end form giving access benefits or fastener placing enhancement.

#### **Flat**

- Normal end form of all nose jaws.
- Suitable on all applications with no access restrictions.

#### **Universal**

- Designed for use with universal head Chobert® fasteners.
- Can also be used with Briv® fasteners to obtain the highest possible clench. Note this reduces the maximum grip range of the Briv® fastener by approximately 0.015" (0.4mm).

#### **Recessed**

- For use with Briv® fasteners ONLY.
- It gives a higher clench than a flat end form but less than a universal end form, with no reduction of the grip range of the fastener.

#### **Tapered**

- Available as shown in the 'Nose Jaw Selection Tables'.
- Allows greater accessibility than a flat end form and places the same range.

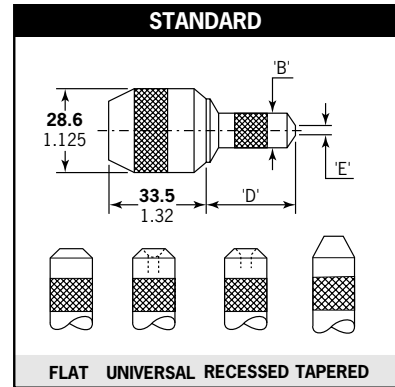
#### **Head Forming**

- For use with Rivscrew® fasteners ONLY.
- Deforms the head of the fastener to achieve good clench.

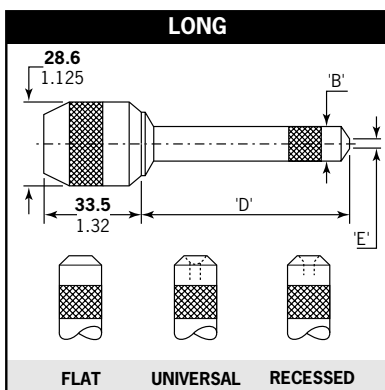
# Nose Assemblies

## Selecting a Nose Jaw

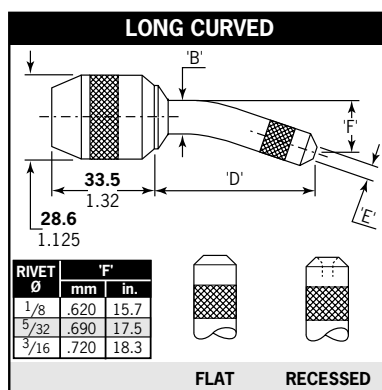
- List the name, size and material of the fastener to be placed.
- Look for this fastener in the first column of the nose jaw selection tables on page 15 if you use imperial measurements and on page 16 if you use metric units.
- Looking right across the table, take note of which nose jaws are available. ONLY those shown are available.
- Select which is most suitable for your application by referring to the respective nose jaw drawing. If your application has no access restriction, you should select the standard shape with a flat end form with or without a cam.



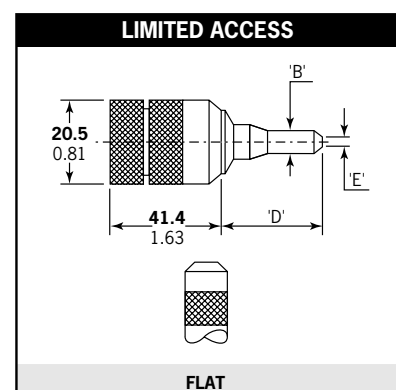
Available in 4 different end forms to place all fasteners (except Rivscrew). Suitable on applications with no or little access restriction.



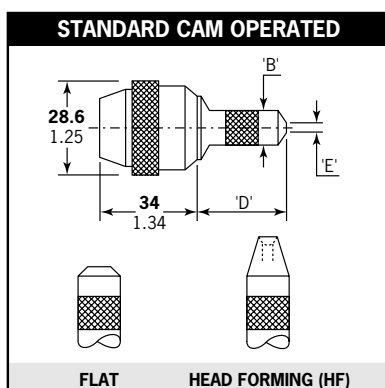
Available to place most of the fasteners. Allows more penetration into applications with no other access restriction.



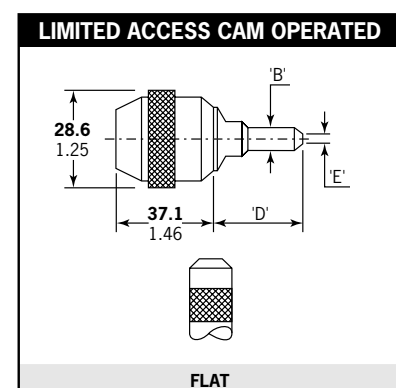
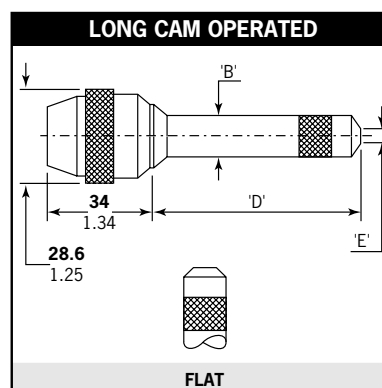
Available as shown in NOSE JAW SELECTION TABLE. Allows more penetration into applications with restricted access. Mandrels must be curved by hand to follow the shape of the jaw.



Available as shown in NOSE JAW SELECTION TABLE. Allows access into very restrictive applications.



Available as shown in NOSE JAW SELECTION TABLE overleaf. Equivalent functions to the Standard and Limited Access above with the addition of a cam to ease and speed up the nose jaw opening thus the pod reloading procedure.



Dimensions shown in **bold** are millimetres. Other dimensions are in inches.

## Nose Jaw Selection - Imperial

The 'REF N°' column cross references with the 'REF N°' columns in the mandrel section. It identifies both the mandrel and mandrel follower spring required for a particular nose jaw with a specific fastener.

FASTENER	REF. N°	NOSE JAW					REF. N°	NOSE JAW				
		TYPE AND END FORM	PART N°	DIMENSIONS				TYPE AND END FORM	PART N°	DIMENSIONS		
				'B'	'D'	'E'				'B'	'D'	'E'
3/32" CHOBERT® & GROVIT	1	STANDARD - FLAT	07150-03003	.36	1.30	.16	1	# STANDARD - UNIVERSAL	07150-03203	.36	1.33	.24
	1	STD. CAM OPERATED - FLAT	07170-04500	.36	1.30	.16	1	LTD. ACCESS CAM OPERATED	07177-03003	.20	1.18	.16
	2	STANDARD - TAPERED	07170-03103	.36	1.30	.16	3	LIMITED ACCESS	07274-01000	.22	1.07	.16
	4	LONG - FLAT	07150-04003	.41	2.30	.16	4	LONG CURVED - FLAT	07150-05003	.41	2.28	.16
1/8" CHOBERT® & GROVIT	5	STANDARD - FLAT	07150-03004	.41	1.18	.20	5	# STANDARD - UNIVERSAL	07150-03204	.41	1.22	.32
	5	STANDARD - TAPERED	07170-03104	.41	1.19	.20	5	STD. CAM OPERATED - FLAT	07170-04600	.41	1.18	.20
	6	LONG - FLAT	07150-04004	.41	2.18	.20	6	# LONG - UNIVERSAL	07150-04204	.41	2.22	.30
	6	LONG CURVED - FLAT	07150-05004	.41	2.12	.20	6	LONG CAM OPERATED - FLAT	07170-05000	.41	2.18	.20
5/32" CHOBERT® & GROVIT	7	STANDARD - FLAT	07150-03005	.48	1.30	.24	7	# STANDARD - UNIVERSAL	07150-03205	.48	1.35	.41
	7	STANDARD - TAPERED	07150-03105	.44	1.30	.24	7	STD. CAM OPERATED - FLAT	07170-04700	.48	1.30	.24
	8	LONG - FLAT	07150-04005	.48	2.30	.24	8	# LONG - UNIVERSAL	07150-04205	.48	2.35	.42
	8	LONG CURVED - FLAT	07150-05005	.48	2.23	.24	8	LONG CAM OPERATED - FLAT	07170-05100	.48	2.30	.24
3/16" CHOBERT® & GROVIT	9	STANDARD - FLAT	07150-03006	.56	1.18	.33	9	# STANDARD - UNIVERSAL	07150-03206	.56	1.24	.47
	9	STANDARD - TAPERED	07150-03106	.56	1.18	.33	9	STD. CAM OPERATED - FLAT	07170-04800	.56	1.18	.33
	10	LONG - FLAT	07150-04006	.56	2.30	.33	10	# LONG - UNIVERSAL	07150-04206	.56	2.39	.48
	10	LONG CURVED - FLAT	07150-05006	.56	2.21	.33	10	LONG CAM OPERATED - FLAT	07170-05200	.56	2.30	.33
1/4" CHOBERT®	11	STANDARD - FLAT	07150-03008	.64	1.18	.39	11	STD. CAM OPERATED - FLAT	07170-04900	.64	1.18	.39
	12	LONG - FLAT	07150-04008	.64	2.18	.39	12	LONG CAM OPERATED - FLAT	07170-05300	.64	2.18	.39
3/32" BRIV® Brass only	13	STANDARD - TAPERED	07170-03103	.36	1.30	.15	14	LTD. ACCESS CAM OPERATED	07177-03003	.20	1.18	.16
	14	LIMITED ACCESS	07274-01000	.22	1.07	.16	-	-	-	-	-	-
1/8" BRIV® Al. Alloy, Brass, Steel	15	STANDARD - FLAT	07150-03004	.41	1.18	.20	15	STANDARD - RECESSED	07170-03004	.41	1.20	.30
	15	STANDARD - TAPERED	07170-03104	.41	1.19	.20	16	LONG - FLAT	07150-04004	.41	2.18	.20
	16	LONG - RECESSED	07170-03204	.41	2.18	.30	16	LONG CURVED - FLAT	07150-05004	.41	2.12	.20
	16	LONG CURVED - RECESSED	07170-03304	.41	2.12	.30	-	-	-	-	-	-
5/32" BRIV® Al. Alloy, Brass, Steel	17	STANDARD - FLAT	07150-03005	.48	1.30	.24	17	STANDARD - RECESSED	07170-03005	.48	1.32	.41
	18	LONG - FLAT	07150-04005	.48	2.30	.24	18	LONG - RECESSED	07170-03205	.48	2.30	.41
	18	LONG CURVED - FLAT	07150-05005	.48	2.23	.24	18	LONG CURVED - RECESSED	07170-03305	.48	2.23	.41
5/32" BRIV® St. Steel only	19	STANDARD - FLAT	07150-03005	.48	1.30	.24	19	STANDARD - RECESSED	07170-03005	.48	1.32	.41
	20	LONG - FLAT	07150-04005	.48	2.30	.24	20	LONG - RECESSED	07170-03205	.48	2.30	.41
	20	LONG CURVED - FLAT	07150-05005	.48	2.23	.24	20	LONG CURVED - RECESSED	07170-03305	.48	2.23	.41
3/16" BRIV® Al. Alloy, Brass, Steel	21	STANDARD - FLAT	07150-03006	.56	1.18	.33	21	STANDARD - RECESSED	07170-03006	.56	1.20	.47
	22	LONG - FLAT	07150-04006	.56	2.30	.33	22	LONG - RECESSED	07170-03206	.56	2.30	.47
	22	LONG CURVED - FLAT	07150-05006	.56	2.21	.33	22	LONG CURVED - RECESSED	07170-03306	.56	2.21	.47
3/16" BRIV® St. Steel only	23	STANDARD - FLAT	07150-03006	.56	1.18	.33	23	STANDARD - RECESSED	07170-03006	.56	1.20	.47
	24	LONG - FLAT	07150-04006	.56	2.30	.33	24	LONG - RECESSED	07170-03206	.56	2.30	.47
	24	LONG CURVED - FLAT	07150-05006	.56	2.21	.33	24	LONG CURVED - RECESSED	07170-03306	.56	2.21	.47
6mm BRIV® Al. Alloy, Steel	25	STD. CAM OPERATED	07170-05600	.64	1.21	.52	25	STANDARD - FLAT	07170-05800	.64	1.21	.52
	26	LONG CAM OPERATED	07170-05700	.64	2.19	.52	26	LONG - FLAT	07170-05900	.64	2.19	.52
3/32" AVLUG®	27	STANDARD - FLAT	07150-03003	.36	1.30	.16	27	STANDARD - TAPERED	07150-03103	.36	1.30	.16
	27	STD. CAM OPERATED - FLAT	07170-04500	.36	1.30	.16	28	LONG - FLAT	07150-04003	.41	2.30	.16
	28	LONG CURVED - FLAT	07150-05003	.41	2.28	.16	-	-	-	-	-	-
1/8" AVLUG®	29	STANDARD - FLAT	07150-03004	.41	1.18	.20	29	STANDARD - TAPERED	07170-03104	.41	1.19	.20
	29	STD. CAM OPERATED - FLAT	07170-04600	.41	1.18	.20	30	LONG - FLAT	07150-04004	.41	2.18	.20
	30	LONG CURVED - FLAT	07150-05004	.41	2.12	.20	30	LONG CAM OPERATED - FLAT	07170-05000	.41	2.18	.20
2.5mm 4-40 UNC AVSERT®	31	STANDARD - FLAT	07150-03003	.36	1.30	.16	-	-	-	-	-	-
3.0mm 6-32 UNC AVSERT®	32	STANDARD - FLAT	07150-03004	.41	1.18	.20	32	STD. CAM OPERATED - FLAT	07170-04600	.41	1.18	.20
2.5mm AVTRONIC®	33	STANDARD - FLAT	07150-03003	.36	1.30	.16	33	LTD. ACCESS CAM OPERATED	07271-08000	.41	1.18	.16
	34	LONG - FLAT	07150-04003	.41	2.30	.16	-	-	-	-	-	-
2.8mm AVTRONIC®	35	STANDARD - FLAT	07271-05600	.36	1.30	.16	36	LTD. ACCESS CAM OPERATED	07271-08100	.40	1.18	.16
	37	LONG - FLAT	07271-05900	.41	2.30	.16	-	-	-	-	-	-
2.8mm RIVSCREW®	38	STD. CAM OPERATED - HF	07271-03000	.41	1.18	.24	-	-	-	-	-	-
3.0mm RIVSCREW®	39	STD. CAM OPERATED - HF	07271-03000	.41	1.18	.24	-	-	-	-	-	-
3.5mm RIVSCREW®	40	STD. CAM OPERATED - HF	07271-03500	.41	1.18	.24	-	-	-	-	-	-
4.0mm RIVSCREW®	41	STD. CAM OPERATED - HF	07271-04000	.41	1.18	.25	-	-	-	-	-	-

# These nose jaws are suitable for placing Chobert® rivets with a Universal Head Form. When used on the equivalent size of Briv®, the highest possible clench is achieved. Note when using Briv® fasteners, the maximum grip is reduced by approximately 0.015" (0.4mm). possible clench is achieved. Note that when using Briv fasteners, the maximum grip is reduced by approximately 0.015" (0.4 mm).

# Nose Assemblies

## Nose Jaw Selection - Metric

FASTENER	REF. N°	NOSE JAW					REF. N°	NOSE JAW				
		TYPE AND END FORM	PART N°	DIMENSIONS				TYPE AND END FORM	PART N°	DIMENSIONS		
				'B'	'D'	'E'				'B'	'D'	'E'
3/32" CHOBERT® & GROVIT	1	STANDARD - FLAT	07150-03003	9.14	33.02	4.06	1	# STANDARD - UNIVERSAL	07150-03203	9.14	33.78	6.10
	1	STD. CAM OPERATED - FLAT	07170-04500	9.14	33.02	4.06	1	LTD. ACCESS CAM OPERATED	07177-03003	5.08	29.97	4.06
	2	STANDARD - TAPERED	07170-03103	9.14	33.02	4.06	3	LIMITED ACCESS	07274-01000	5.59	27.18	4.06
	4	LONG - FLAT	07150-04003	10.41	58.42	4.06	4	LONG CURVED - FLAT	07150-05003	10.41	57.91	4.06
1/8" CHOBERT® & GROVIT	5	STANDARD - FLAT	07150-03004	10.41	29.97	5.08	5	# STANDARD - UNIVERSAL	07150-03204	10.41	30.99	8.13
	5	STANDARD - TAPERED	07170-03104	10.41	30.23	5.08	5	STD. CAM OPERATED - FLAT	07170-04600	10.41	29.97	5.08
	6	LONG - FLAT	07150-04004	10.41	55.37	5.08	6	# LONG - UNIVERSAL	07150-04204	10.41	56.39	7.62
	6	LONG CURVED - FLAT	07150-05004	10.41	53.85	5.08	6	LONG CAM OPERATED - FLAT	07170-05000	10.41	55.37	5.08
5/32" CHOBERT® & GROVIT	7	STANDARD - FLAT	07150-03005	12.19	33.02	6.10	7	# STANDARD - UNIVERSAL	07150-03205	12.19	34.29	10.41
	7	STANDARD - TAPERED	07150-03105	11.18	33.02	6.10	7	STD. CAM OPERATED - FLAT	07170-04700	12.19	33.02	6.10
	8	LONG - FLAT	07150-04005	12.19	58.42	6.10	8	# LONG - UNIVERSAL	07150-04205	12.19	59.69	10.67
	8	LONG CURVED - FLAT	07150-05005	12.19	56.64	6.10	8	LONG CAM OPERATED - FLAT	07170-05100	12.19	58.42	6.10
3/16" CHOBERT® & GROVIT	9	STANDARD - FLAT	07150-03006	14.22	29.97	8.38	9	# STANDARD - UNIVERSAL	07150-03206	14.22	31.50	11.94
	9	STANDARD - TAPERED	07150-03106	14.22	29.97	8.38	9	STD. CAM OPERATED - FLAT	07170-04800	14.22	29.97	8.38
	10	LONG - FLAT	07150-04006	14.22	58.42	8.38	10	# LONG - UNIVERSAL	07150-04206	14.22	60.71	12.19
	10	LONG CURVED - FLAT	07150-05006	14.22	56.13	8.38	10	LONG CAM OPERATED - FLAT	07170-05200	14.22	58.42	8.38
1/4" CHOBERT®	11	STANDARD - FLAT	07150-03008	16.26	29.97	9.91	11	STD. CAM OPERATED - FLAT	07170-04900	16.26	29.97	9.91
	12	LONG - FLAT	07150-04008	16.26	55.37	9.91	12	LONG CAM OPERATED - FLAT	07170-05300	16.26	55.37	9.91
3/32" BRIV® Brass only	13	STANDARD - TAPERED	07170-03103	9.14	33.02	3.81	14	LTD. ACCESS CAM OPERATED	07177-03003	5.08	29.97	4.06
	14	LIMITED ACCESS	07274-01000	5.59	27.18	4.06	-	-	-	-	-	-
1/8" BRIV® Al. Alloy, Brass, Steel	15	STANDARD - FLAT	07150-03004	10.41	29.97	5.08	15	STANDARD - RECESSED	07170-03004	10.41	30.48	7.62
	15	STANDARD - TAPERED	07170-03104	10.41	30.23	5.08	16	LONG - FLAT	07150-04004	10.41	55.37	5.08
	16	LONG - RECESSED	07170-03204	10.41	55.37	7.62	16	LONG CURVED - FLAT	07150-05004	10.41	53.85	5.08
	16	LONG CURVED - RECESSED	07170-03304	10.41	53.85	7.62	-	-	-	-	-	-
5/32" BRIV® Al. Alloy, Brass, Steel	17	STANDARD - FLAT	07150-03005	12.19	33.02	6.10	17	STANDARD - RECESSED	07170-03005	12.19	33.53	10.41
	18	LONG - FLAT	07150-04005	12.19	58.42	6.10	18	LONG - RECESSED	07170-03205	12.19	58.42	10.41
	18	LONG CURVED - FLAT	07150-05005	12.19	56.64	6.10	18	LONG CURVED - RECESSED	07170-03305	12.19	56.64	10.41
5/32" BRIV® St. Steel only	19	STANDARD - FLAT	07150-03005	12.19	33.02	6.10	19	STANDARD - RECESSED	07170-03005	12.19	33.53	10.41
	20	LONG - FLAT	07150-04005	12.19	58.42	6.10	20	LONG - RECESSED	07170-03205	12.19	58.42	10.41
	20	LONG CURVED - FLAT	07150-05005	12.19	56.64	6.10	20	LONG CURVED - RECESSED	07170-03305	12.19	56.64	10.41
3/16" BRIV® Al. Alloy, Brass, Steel	21	STANDARD - FLAT	07150-03006	14.22	29.97	8.38	21	STANDARD - RECESSED	07170-03006	14.22	30.48	11.94
	22	LONG - FLAT	07150-04006	14.22	58.42	8.38	22	LONG - RECESSED	07170-03206	14.22	58.42	11.94
	22	LONG CURVED - FLAT	07150-05006	14.22	56.13	8.38	22	LONG CURVED - RECESSED	07170-03306	14.22	56.13	11.94
3/16" BRIV® St. Steel only	23	STANDARD - FLAT	07150-03006	14.22	29.97	8.38	23	STANDARD - RECESSED	07170-03006	14.22	30.48	11.94
	24	LONG - FLAT	07150-04006	14.22	58.42	8.38	24	LONG - RECESSED	07170-03206	14.22	58.42	11.94
	24	LONG CURVED - FLAT	07150-05006	14.22	56.13	8.38	24	LONG CURVED - RECESSED	07170-03306	14.22	56.13	11.94
6mm BRIV® Al. Alloy, Steel	25	STD. CAM OPERATED	07170-05600	16.33	30.65	13.14	25	STANDARD - FLAT	07170-05800	16.33	30.65	13.14
	26	LONG CAM OPERATED	07170-05700	16.33	55.65	13.14	26	LONG - FLAT	07170-05900	16.33	55.65	13.14
3/32" AVLUG®	27	STANDARD - FLAT	07150-03003	9.14	33.02	4.06	27	STANDARD - TAPERED	07150-03103	9.14	33.02	4.06
	27	STD. CAM OPERATED - FLAT	07170-04500	9.14	33.02	4.06	28	LONG - FLAT	07150-04003	10.41	58.42	4.06
	28	LONG CURVED - FLAT	07150-05003	10.41	57.91	4.06	-	-	-	-	-	-
1/8" AVLUG®	29	STANDARD - FLAT	07150-03004	10.41	29.97	5.08	29	STANDARD - TAPERED	07170-03104	10.41	30.23	5.08
	29	STD. CAM OPERATED - FLAT	07170-04600	10.41	29.97	5.08	30	LONG - FLAT	07150-04004	10.41	55.37	5.08
	30	LONG CURVED - FLAT	07150-05004	10.41	53.85	5.08	30	LONG CAM OPERATED - FLAT	07170-05000	10.41	55.37	5.08
2.5mm 4-40 UNC AVSERT®	31	STANDARD - FLAT	07150-03003	9.14	33.02	4.06	-	-	-	-	-	-
3.0mm 6-32 UNC AVSERT®	32	STANDARD - FLAT	07150-03004	10.41	29.97	5.08	32	STD. CAM OPERATED - FLAT	07170-04600	10.41	29.97	5.08
2.5mm AVTRONIC®	33	STANDARD - FLAT	07150-03003	9.14	33.02	4.06	33	LTD. ACCESS CAM OPERATED	07271-08000	10.41	29.97	4.06
	34	LONG - FLAT	07150-04003	10.41	58.42	4.06	-	-	-	-	-	-
2.8mm AVTRONIC®	35	STANDARD - FLAT	07271-05600	9.14	33.02	4.06	36	LTD. ACCESS CAM OPERATED	07271-08100	10.16	29.97	4.06
	37	LONG - FLAT	07271-05900	10.41	58.42	4.06	-	-	-	-	-	-
2.8mm RIVSCREW®	38	STD. CAM OPERATED - HF	07271-03000	10.41	29.97	6.10	-	-	-	-	-	-
3.0mm RIVSCREW®	39	STD. CAM OPERATED - HF	07271-03000	10.41	29.97	6.10	-	-	-	-	-	-
3.5mm RIVSCREW®	40	STD. CAM OPERATED - HF	07271-03500	10.41	29.97	6.10	-	-	-	-	-	-
4.0mm RIVSCREW®	41	STD. CAM OPERATED - HF	07271-04000	10.41	29.97	6.35	-	-	-	-	-	-

# These nose jaws are suitable for placing Chobert® rivets with a Universal Head Form. When used on the equivalent size of Briv®, the highest possible clench is achieved. Note that when using Briv® fasteners, the maximum grip is reduced by approximately 0.015" (0.4mm). possible clench is achieved. Note that when using Briv fasteners, the maximum grip is reduced by approximately 0.015" (0.4 mm).



## Mandrels and Mandrel Follower Springs

Mandrels and mandrel follower springs, illustrated on page 12 need to be selected to suit the fastener type and size as well as the size of the hole in the application. Use of the wrong mandrel could increase the risk of breakage and the wear of the mandrel head. Feeding problems could occur if the wrong mandrel follower spring is used.

**IMPORTANT**

**READ THE SAFETY INSTRUCTIONS page 4 carefully.**

While a small amount of wear and marking will naturally occur through normal and correct use of mandrels, they must be regularly examined for excessive wear and marking, with particular attention to the head diameter, the tail jaw gripping area of the shank or heavy pitting of the shank and any mandrel distortion. Mandrels which fail during use could forcibly exit the tool. It is the customer's responsibility to ensure that mandrels are replaced before any excessive levels of wear and always before the maximum recommended number of placings. Contact your Avdel representative who will let you know what that figure is by measuring the broach load of your application with our calibrated measuring tool. These tools can also be purchased under part number 07900-09080, supplied with all necessary information for testing.

## Chobert® and Grovit® - Imperial

For mandrel or mandrel follower spring selection, follow instructions on page 19.

FASTENER	REF. N°	HOLE SIZE	STANDARD MANDREL - GREEN					HOLE SIZE	1ST OVERSIZE MANDREL - YELLOW					SPRING PART N°
			HEAD Ø	MANDREL PART N°	P MAX.	# S/R MANDREL PART N°	P MAX.		HEAD Ø	MANDREL PART N°	P MAX.	# S/R MANDREL PART N°	P MAX.	
3/32" CHOBERT® & GROVIT®	1	AS REC.	.0725	07150-06003	.166	07150-08003	.071	+0.015	.074	07150-06303	.174	-	-	07150-06803
	1	-	-	-	-	-	-	+0.035	.076	-	-	07150-08103	.078	07150-06803
	2	AS REC.	.0725	07150-06003	.166	07150-08003	.071	+0.015	.074	07150-06303	.174	-	-	07170-06873
	2	-	-	-	-	-	-	+0.035	.076	-	-	07150-08103	.078	07170-06873
	3	AS REC.	.0725	07150-06003	.166	07150-08003	.071	+0.015	.074	07150-06303	.174	-	-	07170-06903
	3	-	-	-	-	-	-	+0.035	.076	-	-	07150-08103	.078	07170-06903
1/8" CHOBERT® & GROVIT®	5	AS REC.	.088	07150-06004	.216	07150-08004	.090	+0.004	.092	07150-06104	.237	07150-08104	.098	07150-06804
	6	AS REC.	.088	07150-07004	.216	07150-09004	.090	+0.004	.092	07150-07104	.237	07150-09104	.098	07150-07804
5/32" CHOBERT® & GROVIT®	7	AS REC.	.107	07150-06005	.244	07150-08005	.100	+0.008	.115	07150-06105	.284	07150-08105	.116	07170-06875
	7	-	-	-	-	-	-	-	-	-	-	-	-	-
	8	AS REC.	.107	07150-07005	.244	07150-09005	.100	+0.008	.115	07150-07105	.284	07150-09105	.116	07170-07875
3/16" CHOBERT® & GROVIT®	9	AS REC.	.132	07150-06006	.247	07150-08006	.102	+0.014	.146	07150-06106	.320	07150-08106	.130	07170-06876
	9	-	-	-	-	-	-	-	-	-	-	-	-	-
	10	AS REC.	.132	07150-07006	.247	07150-09006	.102	+0.014	.146	07150-07106	.320	07150-09106	.130	07170-07876
1/4" CHOBERT®	11	AS REC.	.184	07150-06008	.268	07150-08008	.110	+0.012	.196	07150-06108	.330	07150-08108	.134	07150-06808
	12	AS REC.	.184	07150-07008	.268	07150-09008	.110	+0.012	.196	07150-07108	.330	07150-09108	.134	07150-07808

FASTENER	REF. N°	HOLE SIZE	2ND OVERSIZE MANDREL - BLUE					HOLE SIZE	3RD OVERSIZE MANDREL - RED					SPRING PART N°
			HEAD Ø	MANDREL PART N°	P MAX.	# S/R MANDREL PART N°	P MAX.		HEAD Ø	MANDREL PART N°	P MAX.	# S/R MANDREL PART N°	P MAX.	
3/32" CHOBERT® & GROVIT®	1	+0.035	.076	07150-06103	.185	-	-	-	-	-	-	-	-	07150-06803
	1	-	-	-	-	-	-	-	-	-	-	-	-	-
	2	+0.035	.076	07150-06103	.185	-	-	-	-	-	-	-	-	07170-06873
	2	-	-	-	-	-	-	-	-	-	-	-	-	-
	3	+0.035	.076	07150-06103	.185	-	-	-	-	-	-	-	-	07170-06903
	3	-	-	-	-	-	-	-	-	-	-	-	-	-
1/8" CHOBERT® & GROVIT®	5	+0.010	.098	07150-06204	.268	07150-08204	.110	+0.014	.102	07150-06304	.288	07150-08304	.118	07150-06804
	6	+0.010	.098	07150-07204	.268	07150-09204	.110	+0.014	.102	07150-07304	.288	07150-09304	.118	07150-07804
5/32" CHOBERT® & GROVIT®	7	+0.015	.122	07150-06205	.320	07150-08205	.130	-	-	-	-	-	-	07170-06875
	7	-	-	-	-	-	-	+0.025	.132	07150-06305	.372	07150-08305	.150	07150-06805
	8	+0.015	.122	07150-07205	.320	07150-09205	.130	-	-	-	-	-	-	07170-07875
3/16" CHOBERT® & GROVIT®	9	-	-	-	-	-	-	+0.025	.132	07150-07305	.372	07150-09305	.150	07150-07805
	9	+0.024	.156	07150-06206	.372	07150-08206	.150	-	-	-	-	-	-	07150-06806
	10	-	-	-	-	-	-	-	-	-	-	-	-	-
1/4" CHOBERT®	11	-	-	-	-	-	-	-	-	-	-	-	-	-
	12	-	-	-	-	-	-	-	-	-	-	-	-	-

# S/R: Short Reach Mandrel. See page 19-20 for explanation.

# Nose Assemblies

Tables below left and right and over the next four pages list part numbers of all mandrels and mandrel follower springs available per fastener or group of fasteners, i.e. for Chobert® and Grovit® on these pages.

While fastener sizes are always shown in their specified units, each table has been produced twice to offer dimensions in imperial units on the left-hand page then in metric units on the right-hand page. These 'Mandrel Selection' tables cross-reference with the 'Nose Jaw Selection' tables on pages 15-16 through the 'Ref. N°' column.

It is the diameter of the head at the end of a mandrel which when pulled through controls the expansion of the fastener body.

While there are different head shapes to suit different types of fasteners (see illustration on page 20), progressive head sizes are needed to reflect manufacturing tolerances on the diameter of the hole in your application so that the fastener always expands sufficiently to fill the hole.

Too large a mandrel head would overstress the mandrel and mandrels which fail during use could forcibly exit the tool.

Selection tables are arranged into four 'mandrel size' sections, ranging from 'standard' to '3rd oversize', each being colour coded as per the end of the mandrel heads themselves.

## Chobert® and Grovit® - Metric

FASTENER	REF. N°	HOLE SIZE	STANDARD MANDREL - GREEN					HOLE SIZE	1ST OVERSIZE MANDREL - YELLOW					SPRING PART N°
			HEAD Ø	MANDREL PART N°	P MAX.	# S/R MANDREL PART N°	P MAX.		HEAD Ø	MANDREL PART N°	P MAX.	# S/R MANDREL PART N°	P MAX.	
3/32" CHOBERT® & GROVIT®	1	AS REC.	1.84	07150-06003	4.22	07150-08003	1.80	+04	1.88	07150-06303	4.42	-	-	07150-06803
	1	-	-	-	-	-	-	+09	1.93	-	-	07150-08103	1.98	07150-06803
	2	AS REC.	1.84	07150-06003	4.22	07150-08003	1.80	+04	1.88	07150-06303	4.42	-	-	07170-06873
	2	-	-	-	-	-	-	+09	1.93	-	-	07150-08103	1.98	07170-06873
	3	AS REC.	1.84	07150-06003	4.22	07150-08003	1.80	+04	1.88	07150-06303	4.42	-	-	07170-06903
	3	-	-	-	-	-	-	+09	1.93	-	-	07150-08103	1.98	07170-06903
	4	AS REC.	1.84	07150-07003	4.22	07150-09003	1.80	+09	1.93	-	-	07150-09103	1.98	07150-07803
	4	-	-	-	-	-	-	-	-	-	-	-	-	-
1/8" CHOBERT® & GROVIT®	5	AS REC.	2.24	07150-06004	5.49	07150-08004	2.29	+10	2.34	07150-06104	6.02	07150-08104	2.49	07150-06804
	6	AS REC.	2.24	07150-07004	5.49	07150-09004	2.29	+10	2.34	07150-07104	6.02	07150-09104	2.49	07150-07804
5/32" CHOBERT® & GROVIT®	7	AS REC.	2.72	07150-06005	6.20	07150-08005	2.54	+20	2.92	07150-06105	7.21	07150-08105	2.95	07170-06875
	7	-	-	-	-	-	-	-	-	-	-	-	-	-
	8	AS REC.	2.72	07150-07005	6.20	07150-09005	2.54	+20	2.92	07150-07105	7.21	07150-09105	2.95	07170-07875
3/16" CHOBERT® & GROVIT®	9	AS REC.	3.35	07150-06006	6.27	07150-08006	2.59	+35	3.71	07150-06106	8.13	07150-08106	3.30	07170-06876
	9	-	-	-	-	-	-	-	-	-	-	-	-	-
	10	AS REC.	3.35	07150-07006	6.27	07150-09006	2.59	+35	3.71	07150-07106	8.13	07150-09106	3.30	07170-07876
1/4" CHOBERT®	11	AS REC.	4.67	07150-06008	6.81	07150-08008	2.79	+30	4.98	07150-06108	8.38	07150-08108	3.40	07150-06808
	12	AS REC.	4.67	07150-07008	6.81	07150-09008	2.79	+30	4.98	07150-07108	8.38	07150-09108	3.40	07150-07808

FASTENER	REF. N°	HOLE SIZE	2ND OVERSIZE MANDREL - BLUE					HOLE SIZE	3RD OVERSIZE MANDREL - RED					SPRING PART N°
			HEAD Ø	MANDREL PART N°	P MAX.	# S/R MANDREL PART N°	P MAX.		HEAD Ø	MANDREL PART N°	P MAX.	# S/R MANDREL PART N°	P MAX.	
3/32" CHOBERT® & GROVIT®	1	+09	1.93	07150-06103	4.70	-	-	-	-	-	-	-	-	07150-06803
	1	-	-	-	-	-	-	-	-	-	-	-	-	-
	2	+09	1.93	07150-06103	4.70	-	-	-	-	-	-	-	-	07170-06873
	2	-	-	-	-	-	-	-	-	-	-	-	-	-
	3	+09	1.93	07150-06103	4.70	-	-	-	-	-	-	-	-	07170-06903
	3	-	-	-	-	-	-	-	-	-	-	-	-	-
1/8" CHOBERT® & GROVIT®	4	+09	1.93	07150-07103	4.70	-	-	-	-	-	-	-	-	07150-07803
	4	-	-	-	-	-	-	-	-	-	-	-	-	-
1/8" CHOBERT® & GROVIT®	5	+25	2.49	07150-06204	6.81	07150-08204	2.79	+35	2.59	07150-06304	7.32	07150-08304	3.00	07150-06804
	6	+25	2.49	07150-07204	6.81	07150-09204	2.79	+35	2.59	07150-07304	7.32	07150-09304	3.00	07150-07804
5/32" CHOBERT® & GROVIT®	7	+38	3.10	07150-06205	8.13	07150-08205	3.30	-	-	-	-	-	-	07170-06875
	7	-	-	-	-	-	-	+63	3.35	07150-06305	9.45	07150-08305	3.81	07150-06805
	8	+38	3.10	07150-07205	8.13	07150-09205	3.30	-	-	-	-	-	-	07170-07875
	8	-	-	-	-	-	-	+63	3.35	07150-07305	9.45	07150-09305	3.81	07150-07805
3/16" CHOBERT® & GROVIT®	9	-	-	-	-	-	-	-	-	-	-	-	-	-
	9	+60	3.96	07150-06206	9.45	07150-08206	3.81	-	-	-	-	-	-	07150-06806
	10	-	-	-	-	-	-	-	-	-	-	-	-	-
1/4" CHOBERT®	10	+60	3.96	07150-07206	9.45	07150-09206	3.81	-	-	-	-	-	-	07150-07806
	10	-	-	-	-	-	-	-	-	-	-	-	-	-
1/4" CHOBERT®	11	-	-	-	-	-	-	-	-	-	-	-	-	-
	12	-	-	-	-	-	-	-	-	-	-	-	-	-

# S/R: Short Reach Mandrel. See page 19-20 for explanation.

To find the correct part number of a mandrel for a particular application, read the instructions below after you have gathered the following information as per example alongside. Answers for the example are shown in *grey italic*.

FASTENER NAME	<i>example</i>	<i>Chobert®</i>
FASTENER SIZE		<i>1/8"</i>
DATASHEET		<i>Series 1125</i>
APPLICATION HOLE SIZE		<i>0.1335"</i>
CLEARANCE BEHIND APPLICATION		<i>Infinite</i>
'REF.N°' FROM NOSE JAW SELECTION TABLE		<i>5 (standard flat)</i>

- Subtract the minimum hole size recommended (AS REC.) in the fastener datasheet from the actual application hole size. *-example: 0.005.*
- Turn to the page with the 'Mandrel Selection' table for your fastener, selecting either the imperial or the metric dimensions table (pages 17-21). *-example: page 17.*
- Starting with the 'Standard Mandrel - Green' section, find your fastener size in the left-hand column. *-example 1/8" Chobert® & Grovit®.*
- If you selected a nose jaw which place you fastener, you should now be able to find a line within your fastener section with the same 'Ref No.' as that from the 'Nose Jaw Selection' table. *-example: 5.* This is your line 'Ref. No.' in which you will find both your mandrel and mandrel follower spring part number. This line continues into the second half of the table for the '2nd' and '3rd' oversize mandrels.
- Scan along the line to the 'hole size' columns and select which ever is the nearest or equal to the figure calculated in step one. You may now read the mandrel part number next to the 'hole size'. *-example: 07150-06104*
- For Chobert® and Grovit® only, most mandrels are also available in a 'short reach' version (see illustration on page 20). Short reach mandrels are used to minimise the possibility of the mandrel head contacting a read obstruction. This would result in the underside of the fastener head not seating properly on the application surface, causing a lack on clench in the joint.
- Whichever size mandrel you settle on, you will also need to check the 'P' figure against that mandrel is adequate. 'P' is the clearance required for the mandrel head at the back of the application IN ADDITION to the length of the fastener protruding through the application, as shown in the illustration on page 20.
- You may now read the corresponding mandrel follower spring part number in the right-hand column of the table. *-example: 07150-06804.*

In all cases, satisfactory clenching of the joint should be assessed particularly if the size of the hole in your application is very close to the next oversize hole condition, when it will be safe to select the greater size of mandrel to obtain a higher clench. REMEMBER that this will increase the broach load and reduce the mandrel life.

## Briv® - Imperial

For mandrel or mandrel follower spring selection, follow instructions above.

FASTENER	REF. N°	HOLE SIZE	STANDARD MANDREL - GREEN			HOLE SIZE	1ST OVERSIZE MANDREL - YELLOW			SPRING PART N°
			HEAD Ø	MANDREL PART N°	P MAX.		HEAD Ø	MANDREL PART N°	P MAX.	
3/32" BRIV® Brass only	13	AS REC.	.072	07150-06013	.119	+0.04	.076	07150-06113	.123	07170-06873
	14	AS REC.	.072	07150-06013	.119	+0.04	.076	07150-06113	.123	07170-06903
1/8" BRIV® Al. Alloy, Brass, Steel	15	AS REC.	.092	07271-06414	.120	+0.05	.097	07271-06514	.126	07150-06814
	16	AS REC.	.092	07271-07414	.120	+0.05	.097	07271-07514	.126	07150-07814
5/32" BRIV® Al. Alloy, Brass, Steel	17	AS REC.	.110	07150-06015	.136	+0.05	.115	07150-06115	.142	07170-06875
	18	AS REC.	.110	07150-07015	.136	+0.05	.115	07150-07115	.142	07170-07875
5/32" BRIV® St.Steel only	19	AS REC.	.120	07170-06805	.126	+0.05	.125	07170-06825	.132	07170-06875
	20	AS REC.	.120	07170-07805	.126	+0.05	.125	07170-07825	.132	07170-07875
3/16" BRIV® Al. Alloy, Brass, Steel	21	AS REC.	.141	07150-06016	.157	+0.05	.146	07150-06116	.164	07170-06876
	22	AS REC.	.141	07150-07016	.157	+0.05	.146	07150-07116	.164	07170-07876
3/16" BRIV® St.Steel only	23	AS REC.	.153	07170-06806	.150	+0.05	.158	07170-06826	.156	07170-06876
	24	AS REC.	.153	07170-07806	.150	+0.05	.158	07170-07826	.156	07170-07876
6mm BRIV® Al. Alloy, Steel	25	AS REC.	.179	07150-06018	.165	+0.05	.184	07150-06118	.171	07150-06846
	26	AS REC.	.179	07150-07018	.165	+0.05	.184	07150-07118	.171	07150-07846

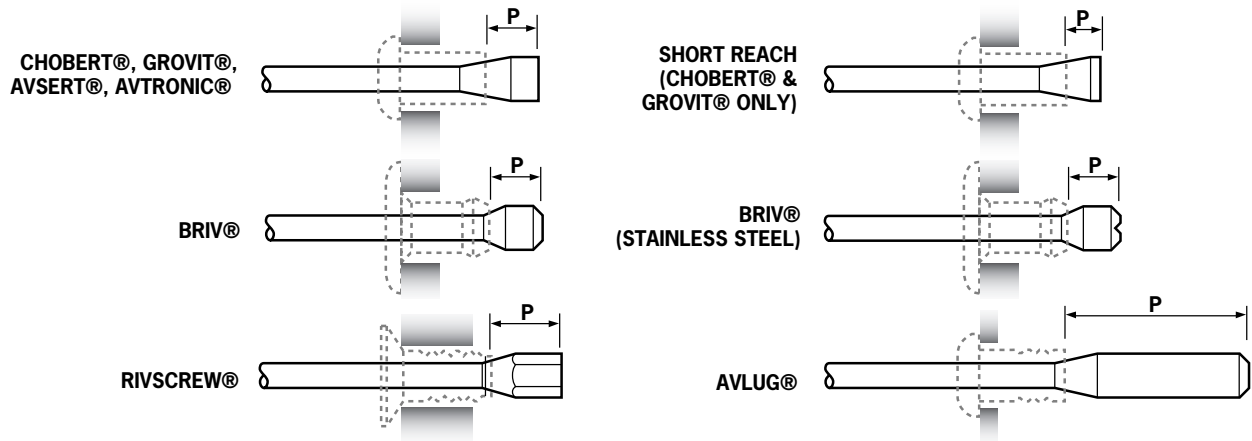
FASTENER	REF. N°	HOLE SIZE	2ND OVERSIZE MANDREL - BLUE			HOLE SIZE	3RD OVERSIZE MANDREL - RED			SPRING PART N°
			HEAD Ø	MANDREL PART N°	P MAX.		HEAD Ø	MANDREL PART N°	P MAX.	
3/32" BRIV® Brass only	13	+0.08	.079	07150-06213	.126	-	-	-	-	07170-06873
	14	+0.08	.079	07150-06213	.126	-	-	-	-	07170-06903
1/8" BRIV® Al. Alloy, Brass, Steel	15	+0.10	.102	07271-06614	.133	-	-	-	-	07150-06814
	16	+0.10	.102	07271-07614	.133	-	-	-	-	07150-07814
5/32" BRIV® Al. Alloy, Brass, Steel	17	+0.10	.120	07150-06215	.149	-	-	-	-	07170-06875
	18	+0.10	.120	07150-07215	.149	-	-	-	-	07170-07875
5/32" BRIV® St.Steel only	19	-	-	-	-	-	-	-	-	-
	20	-	-	-	-	-	-	-	-	-
3/16" BRIV® Al. Alloy, Brass, Steel	21	+0.10	.151	07150-06216	.170	+0.12	.153	07150-06316	.173	07170-06876
	22	+0.10	.151	07150-07216	.170	+0.12	.153	07150-07316	.173	07170-07876
3/16" BRIV® St.Steel only	23	-	-	-	-	-	-	-	-	-
	24	-	-	-	-	-	-	-	-	-
6mm BRIV® Al. Alloy, Steel	25	+0.10	.189	07150-06218	.177	-	-	-	-	07150-06846
	26	+0.10	.189	07150-07218	.177	-	-	-	-	07150-07846

# Nose Assemblies

## Mandrel Head Types and 'P' Length

Mandrels for stainless steel Briv® are easily identifiable by a 'V' cut in the end of the mandrel heads.

When using curved nose jaws, mandrels have to be bent by hand to match the curvature of the nose jaw, thus ensuring good feed of fasteners.



## Briv® - Metric

FASTENER	REF. N°	HOLE SIZE	STANDARD MANDREL - GREEN			HOLE SIZE	1ST OVERSIZE MANDREL - YELLOW			SPRING PART N°
			HEAD Ø	MANDREL PART N°	P MAX.		HEAD Ø	MANDREL PART N°	P MAX.	
3/32" BRIV® Brass only	13	AS REC.	1.83	07150-06013	3.02	+10	1.93	07150-06113	3.12	07170-06873
	14	AS REC.	1.83	07150-06013	3.02	+10	1.93	07150-06113	3.12	07170-06903
1/8" BRIV® Al. Alloy, Brass, Steel	15	AS REC.	2.34	07271-06414	3.05	+13	2.46	07271-06514	3.20	07150-06814
	16	AS REC.	2.34	07271-07414	3.05	+13	2.46	07271-07514	3.20	07150-07814
5/32" BRIV® Al. Alloy, Brass, Steel	17	AS REC.	2.79	07150-06015	3.45	+13	2.92	07150-06115	3.61	07170-06875
	18	AS REC.	2.79	07150-07015	3.45	+13	2.92	07150-07115	3.61	07170-07875
5/32" BRIV® St. Steel only	19	AS REC.	3.05	07170-06805	3.20	+13	3.18	07170-06825	3.35	07170-06875
	20	AS REC.	3.05	07170-07805	3.20	+13	3.18	07170-07825	3.35	07170-07875
3/16" BRIV® Al. Alloy, Brass, Steel	21	AS REC.	3.58	07150-06016	3.99	+13	3.71	07150-06116	4.17	07170-06876
	22	AS REC.	3.58	07150-07016	3.99	+13	3.71	07150-07116	4.17	07170-07876
3/16" BRIV® St. Steel only	23	AS REC.	3.89	07170-06806	3.81	+13	4.01	07170-06826	3.96	07170-06876
	24	AS REC.	3.89	07170-07806	3.81	+13	4.01	07170-07826	3.96	07170-07876
6mm BRIV® Al. Alloy, Steel	25	AS REC.	4.54	07150-06018	4.18	+13	4.67	07150-06118	4.34	07150-06846
	26	AS REC.	4.54	07150-07018	4.18	+13	4.67	07150-07118	4.34	07150-07846

FASTENER	REF. N°	HOLE SIZE	2ND OVERSIZE MANDREL - BLUE			HOLE SIZE	3RD OVERSIZE MANDREL - RED			SPRING PART N°
			HEAD Ø	MANDREL PART N°	P MAX.		HEAD Ø	MANDREL PART N°	P MAX.	
3/32" BRIV® Brass only	13	+20	2.01	07150-06213	3.20	-	-	-	-	07170-06873
	14	+20	2.01	07150-06213	3.20	-	-	-	-	07170-06903
1/8" BRIV® Al. Alloy, Brass, Steel	15	+25	2.59	07271-06614	3.38	-	-	-	-	07150-06814
	16	+25	2.59	07271-07614	3.38	-	-	-	-	07150-07814
5/32" BRIV® Al. Alloy, Brass, Steel	17	+25	3.05	07150-06215	3.78	-	-	-	-	07170-06875
	18	+25	3.05	07150-07215	3.78	-	-	-	-	07170-07875
5/32" BRIV® St. Steel only	19	-	-	-	-	-	-	-	-	-
	20	-	-	-	-	-	-	-	-	-
3/16" BRIV® Al. Alloy, Brass, Steel	21	+25	3.84	07150-06216	4.32	+30	3.85	07150-06316	4.39	07170-06876
	22	+25	3.84	07150-07216	4.32	+30	3.85	07150-07316	4.39	07170-07876
3/16" BRIV® St. Steel only	23	-	-	-	-	-	-	-	-	-
	24	-	-	-	-	-	-	-	-	-
6mm BRIV® Al. Alloy, Steel	25	+25	4.79	07150-06218	4.49	-	-	-	-	07150-06846
	26	+25	4.79	07150-07218	4.49	-	-	-	-	07150-07846

## Avlug®, Avsert®, Avtronic® & Rivscrew® - Imperial & Metric

For mandrel or mandrel follower spring selection, follow instructions on page 19.

FASTENER	REF. N°	HOLE SIZE	STANDARD MANDREL - GREEN			HOLE SIZE	1ST OVERSIZE MANDREL - YELLOW			SPRING PART N°
			HEAD Ø	MANDREL PART N°	P MAX.		HEAD Ø	MANDREL PART N°	P MAX.	
3/32" AVLUG®	27	AS REC.	.076	07150-06603	.353	+0.005	.081	07150-06703	.478	07150-06803
	28	AS REC.	.076	07150-07603	.353	+0.003	.079	07150-07703	.368	07150-07803
1/8" AVLUG®	29	AS REC.	.098	07150-06604	.593	-	-	-	-	07150-06804
	30	AS REC.	.098	07150-07604	.593	-	-	-	-	07150-07804
2.5mm, 4-40 UNC AVSERT®	31	AS REC.	.0725	07150-06003	.145	-	-	-	-	07150-06803
3.0mm, 6-32 UNC AVSERT®	32	AS REC.	.088	07150-06004	.185	-	-	-	-	07150-06804
2.5mm AVTRONIC®	33	AS REC.	.070	07170-06025	.140	+0.003	.073	07170-06125	.140	07150-06803
	34	AS REC.	.070	07170-07025	.140	+0.003	.073	07170-07125	.140	07150-07803
2.8mm AVTRONIC®	35	AS REC.	.079	07170-06028	.150	+0.003	.082	07170-06128	.150	07170-06528
	36	AS REC.	.079	07170-06028	.150	+0.003	.082	07170-06128	.150	07170-06873
	37	AS REC.	.079	07170-07028	.150	+0.003	.082	07170-07128	.150	07170-07528
2.8mm RIVSCREW®	38	AS REC.	* .065	07271-06030	.127	-	-	-	-	07271-06630
3.0mm RIVSCREW®	39	AS REC.	* .065	07271-06030	.127	-	-	-	-	07271-06630
3.5mm RIVSCREW®	40	AS REC.	* .0825	07271-06035	.132	-	-	-	-	07271-06635
4.0mm RIVSCREW®	41	AS REC.	* .103	07271-06140	.150	-	-	-	-	07271-06640

\* These Dimensions are Across Flats

FASTENER	REF. N°	HOLE SIZE	2ND OVERSIZE MANDREL - BLUE			HOLE SIZE	3RD OVERSIZE MANDREL - RED			SPRING PART N°
			HEAD Ø	MANDREL PART N°	P MAX.		HEAD Ø	MANDREL PART N°	P MAX.	
3/32" AVLUG®	27	-	-	-	-	-	-	-	-	-
	28	-	-	-	-	-	-	-	-	-
1/8" AVLUG®	29	-	-	-	-	-	-	-	-	-
	30	-	-	-	-	-	-	-	-	-
2.5mm, 4-40 UNC AVSERT®	31	-	-	-	-	-	-	-	-	-
3.0mm, 6-32 UNC AVSERT®	32	-	-	-	-	-	-	-	-	-
2.5mm AVTRONIC®	33	+0.006	.076	07170-06225	.140	-	-	-	-	07150-06803
	34	+0.006	.076	07170-07225	.140	-	-	-	-	07150-07803
2.8mm AVTRONIC®	35	+0.006	.085	07170-06228	.150	-	-	-	-	07170-06528
	36	+0.006	.085	07170-06228	.150	-	-	-	-	07170-06873
	37	+0.006	.085	07170-07228	.150	-	-	-	-	07170-07528
2.8mm RIVSCREW®	38	-	-	-	-	-	-	-	-	-
3.0mm RIVSCREW®	39	-	-	-	-	-	-	-	-	-
3.5mm RIVSCREW®	40	-	-	-	-	-	-	-	-	-
4.0mm RIVSCREW®	41	-	-	-	-	-	-	-	-	-

FASTENER	LINE N°	HOLE SIZE	STANDARD MANDREL - GREEN			HOLE SIZE	1ST OVERSIZE MANDREL - YELLOW			SPRING PART N°
			HEAD Ø	MANDREL PART N°	P MAX.		HEAD Ø	MANDREL PART N°	P MAX.	
3/32" AVLUG®	27	AS REC.	1.93	07150-06603	8.97	+10	2.06	07150-06703	12.14	07150-06803
	28	AS REC.	1.93	07150-07603	8.97	+10	2.01	07150-07703	9.35	07150-07803
1/8" AVLUG®	29	AS REC.	2.49	07150-06604	15.06	-	-	-	-	07150-06804
	30	AS REC.	2.49	07150-07604	15.06	-	-	-	-	07150-07804
2.5mm, 4-40 UNC AVSERT®	31	AS REC.	1.84	07150-06003	3.68	-	-	-	-	07150-06803
3.0mm, 6-32 UNC AVSERT®	32	AS REC.	2.24	07150-06004	4.70	-	-	-	-	07150-06804
2.5mm AVTRONIC®	33	AS REC.	1.78	07170-06025	3.56	+07	1.85	07170-06125	3.56	07150-06803
	34	AS REC.	1.78	07170-07025	3.56	+07	1.85	07170-07125	3.56	07150-07803
2.8mm AVTRONIC®	35	AS REC.	2.01	07170-06028	3.81	+07	2.08	07170-06128	3.81	07170-06528
	36	AS REC.	2.01	07170-06028	3.81	+07	2.08	07170-06128	3.81	07170-06873
	37	AS REC.	2.01	07170-07028	3.81	+07	2.08	07170-07128	3.81	07170-07528
2.8mm RIVSCREW®	38	AS REC.	* 1.65	07271-06030	3.23	-	-	-	-	07271-06630
3.0mm RIVSCREW®	39	AS REC.	* 1.65	07271-06030	3.23	-	-	-	-	07271-06630
3.5mm RIVSCREW®	40	AS REC.	* 2.10	07271-06035	3.35	-	-	-	-	07271-06635
4.0mm RIVSCREW®	41	AS REC.	* 2.62	07271-06140	3.81	-	-	-	-	07271-06640

\* These Dimensions are Across Flats

FASTENER	LINE N°	HOLE SIZE	2ND OVERSIZE MANDREL - BLUE			HOLE SIZE	3RD OVERSIZE MANDREL - RED			SPRING PART N°
			HEAD Ø	MANDREL PART N°	P MAX.		HEAD Ø	MANDREL PART N°	P MAX.	
3/32" AVLUG®	27	-	-	-	-	-	-	-	-	-
	28	-	-	-	-	-	-	-	-	-
1/8" AVLUG®	29	-	-	-	-	-	-	-	-	-
	30	-	-	-	-	-	-	-	-	-
2.5mm, 4-40 UNC AVSERT®	31	-	-	-	-	-	-	-	-	-
3.0mm, 6-32 UNC AVSERT®	32	-	-	-	-	-	-	-	-	-
2.5mm AVTRONIC®	33	+15	1.93	07170-06225	3.56	-	-	-	-	07150-06803
	34	+15	1.93	07170-07225	3.56	-	-	-	-	07150-07803
2.8mm AVTRONIC®	35	+15	2.16	07170-06228	3.81	-	-	-	-	07170-06528
	36	+15	2.16	07170-06228	3.81	-	-	-	-	07170-06873
	37	+15	2.16	07170-07228	3.81	-	-	-	-	07170-07528
2.8mm RIVSCREW®	38	-	-	-	-	-	-	-	-	-
3.0mm RIVSCREW®	39	-	-	-	-	-	-	-	-	-
3.5mm RIVSCREW®	40	-	-	-	-	-	-	-	-	-
4.0mm RIVSCREW®	41	-	-	-	-	-	-	-	-	-

# Servicing the Tool

Regular servicing should be carried out and a comprehensive inspection performed annually or every 500,000 cycles, whichever is sooner.

## **I M P O R T A N T**

**The employer is responsible for ensuring that tool maintenance instructions are given to the appropriate personnel.  
The operator should not be involved in maintenance or repair of the tool unless properly trained.**

## **Daily**

- Daily, before use or when first putting the tool into service. Pour a few drops of clean lubricating oil into the air inlet of the intensifier if no lubricator is fitted on air supply. If the tool is in continuous use, the air hose should be disconnected from the main air supply and the tool lubricated every two to three hours.
- Check for air and oil leaks. If damaged, hoses and couplings should be replaced.
- If there is no filter on the pressure regulator, bleed the airline to clear it of accumulated dirt or water before connecting the air hose to the intensifier. If there is a filter, drain it.
- Check that the nose equipment is correct.
- Check mandrels regularly for signs of wear or damage monitoring the number of placings (read the safety instructions on page 4).

## **Weekly**

- Conduct the full "Daily" procedures as described above.
- Remove, inspect, clean and grease the Tail Jaws (refer to "Tail Jaw Cylinder" in the "Maintenance Section" page 24).
- Check oil level in the intensifier Unit reservoir is approximately 12mm (1/2") below the transparent cover plate.

## **Moly Lithium Grease EP 3753 Safety Data**

Grease can be ordered as a single item, the part number is shown in the service kit page 23.

### **First Aid**

SKIN:

As the grease is completely water resistant it is best removed with an approved emulsifying skin cleaner.

INGESTION:

Ensure the individual drinks 30ml Milk of Magnesia, preferably in a cup of milk.

EYES:

Irritant but not harmful. Irrigate with water and seek medical attention.

### **Fire**

FLASH POINT: Above 220°C.

Not classified as flammable.

Suitable extinguishing media: CO<sub>2</sub>, Halon or water spray if applied by an experienced operator.

### **Environment**

Scrape up for burning or disposal on approved site.

### **Handling**

Use barrier cream or oil resistant gloves

### **Storage**

Away from heat and oxidising agent.

## Service Kit

---

For all servicing we recommend the use of the service kit (part number 07900-05300).

SERVICE KIT					
ITEM PART N°	DESCRIPTION	N° OFF	ITEM PART N°	DESCRIPTION	N° OFF
07900-00157	CIRCLIP PLIERS	1	07900-00352	SEAL REMOVAL HOOK	1
07900-00006	SPATULA	1	07900-00710	BARREL PLUG REMOVAL SPANNER	1
07900-00446	EXTRACTOR	1	07900-00725	BULLET	1
07900-00603	BARREL VICE JAWS	1	07900-00243	SCREWDRIVER	1
07900-00520	$\frac{3}{8}$ " ROD	1	07900-00717	INTENSIFIER SPANNER	1
07900-00521	$\frac{1}{4}$ " ROD	1	07900-00013	$\frac{1}{8}$ " ALLEN KEY	1
07900-00602	'O' RING ASSEMBLY BULLET	1	07900-00617	LOCTITE MULTI-GASKET 574 50ml PACK	1
07900-00595	18mm SPANNER	1	07900-00469	2.5mm ALLEN KEY	1
07900-00434	32mm SPANNER	1	07900-00351	3mm ALLEN KEY	1
07900-00237	$\frac{3}{8}$ " x $\frac{5}{16}$ " B.S.W. SPANNER	1	07900-00224	4mm ALLEN KEY	1
07900-00012	$\frac{9}{16}$ " x $\frac{5}{8}$ " SPANNER	1	07900-00225	5mm ALLEN KEY	1
07900-00008	$\frac{7}{16}$ " x $\frac{1}{2}$ " SPANNER	1	07992-00020	80g TIN MOLY LITHIUM GREASE EP 3753	1

Note: Spanner sizes are measured 'across flats' unless otherwise specified.

# Maintenance

Every 500,000 cycles the tool should be completely dismantled and new components should be used where worn, damaged or when recommended. All 'O' rings and seals should be renewed and lubricated with Moly Lithium grease EP 3753 before assembling.

## IMPORTANT

**Safety Instructions appear on page 4.**  
**The employer is responsible for ensuring that tool maintenance instructions are given to the appropriate personnel.**  
**The operator should not be involved in maintenance or repair of the tool unless properly trained.**

The airline must be disconnected before any servicing or dismantling is attempted, unless specifically instructed otherwise.

It is recommended that any dismantling operation be carried out in clean conditions.

Dismantling of the 07530 Mkl and 07532 Mkl are covered separately. For the 07530 Mkl refer to the dismantling procedures below and for the 07532 Mkl refer to pages 26-27. Item numbers in **bold** refer to the general assemblies and parts lists for the respective model on pages 28-31.

Prior to dismantling the tool, you will need to remove the nose equipment.

For total tool servicing we advise that you proceed with the dismantling of sub-assemblies in the order shown below after having disconnected the hydraulic hose from the intensifier unit and the trigger air line from the intensifier valve, thus separating the pistol unit from the intensifier unit.

## Dismantling 07530-02200 Mkl

To dismantle the 07532-02200 Mkl refer to pages 26-27.

### TAIL JAW CYLINDER

- Manually flip the Clip **47** up and remove the End Cap **38**.
- Using an Allen Key\*, remove one Cap Head Screw **44** ensuring that any trapped air in the tail jaw cylinder is exhausted. Remove the second Cap Head Screw **44**.
- Pull out Rear Plug **46**.
- Extract air tail jaw components, comprising Tail Jaw Piston Assembly **14**, Spring **13**, Jaws **9** and Jaw Housing **8**.
- Remove plug at rear of piston assembly using an Allen Key\* and a bar through the large slot in the turret.
- Clean out turret using a 4.7mm ( $\frac{3}{16}$ " ) drill and replace plug using a non-hardening sealing compound, e.g. Loctite Multi-gasket 574\*.
- Remove piston seal 'O' Ring **10**.
- Using an Allen Key\*, remove all five handle moulding securing Screws **34**, **39** and Nuts **33** from the tool handle.
- Grip Barrel **25** in a vice using soft jaws\* to avoid damage.
- Using a box spanner\*, unscrew Barrel Plug **7**, preventing Barrel **25** turning by using an open ended spanner\*.
- Disconnect Air Tail Jaw Concertina Tube **12** from Switch Block **28** and pull Tail Jaw Cylinder **6** from tool.
- Remove 'O' Ring **4**, Rubbing Strip **15** and Barrel Return Spring **16**.
  
- Free length of Spring **13** should be 38.1mm (1.5"). Replace if necessary.
- Coat the tail jaws with Moly Lithium grease before assembling.
  
- Assemble in reverse order of dismantling.

### HYDRAULIC PISTON

- Remove Tail Jaw Cylinder **6** as described earlier.
- Grip Body **19** in vice using soft jaws\* to avoid damage, undo Stroke Limiter **17**.
- Grip Barrel **25** in soft jaw vice, pull Body **19** from Barrel **25** (a small quantity of hydraulic oil will be ejected from inside body).
- Remove Piston **18** carefully so as not to damage body bore.
- Remove Seal **3**.
- Seal **1** is difficult to remove without damaging, but can remain in place during cleaning (provided it is not affected by cleaning process). If however, Seal **1** requires renewing proceed as follows:
- Using spatula\*, prise out Seal **1** from Body **19**, taking care not to damage body cavity and bores. The removed Seal **1** MUST be discarded.
  
- To replace Seal **1**, unscrew Hydraulic Hose Assembly **22** and fit a spare Bleed Plug Assembly **2** screwing it in to bring inside face level with internal bore.
- Unscrew existing bleed plug until inside face is level with internal bore. This will provide a smooth passage for insertion of new Seal **1** through rear of body.
- Ensure the seal is well greased and the correct way round with the open end of the seal facing the rear tail jaws.
- Complete assembly in reverse order of dismantling.

\* Refers to items included in the 0753 Mkl service kit. For complete list see page 23. Item numbers in **bold** refer to the general assemblies and parts lists on pages 28-29.



**Dismantling 07530-02200 MkII**

---

**TRIGGER ASSEMBLY**

- To dismantle/service assembly, remove covers from the tool as described earlier.
- Disconnect all air hoses from assembly, taking care not to damage them. Remove assembly.
- Using a spanner\*, unscrew the Retainer **49** and remove. Take care to keep the Spring **50**.
- Prise off the 'O' Ring **53** taking care not to damage the Spindle **54** and Retainer **49** seatings.
- Clean and re-assemble using a new 'O' Ring **53**.
- Check length of Spring **50** which must be 12.7mm (0.5") free length – replace if necessary.
- Assembly in reverse order of dismantling.

**TAIL JAW ON/OFF VALVE**

- The unit is designed so that minimum of servicing is required during the life of the tool.
- If it is necessary to dismantle valve, proceed as follows:
- Disconnect air hose from assembly, taking care not to damage them. Remove assembly.
- Using an Allen Key\*, loosen Screw **27** clamping assembly to Barrel **25** and remove assembly.
- Using a screwdriver\*, carefully remove the Chrome Star-lock Washer **26** from Air Tail Jaw Spool **29** and discard washer.
- Extract Air Tail Jaw Spool **29** from Switch Block **28**.
- Taking care not to damage the Air Tail Jaw Spool **29**, remove the 'O' Rings **31**.
- Clean spool and refit new 'O' Rings **31** using assembly bullet\* and insert into Switch Block **28**, noting its orientation.
- Fit New Chrome Star-lock Washer **26** by clamping in vice using a soft jaw vice to prevent damage. DO NOT USE UNDUE FORCE.
- Complete assembly in reverse order of dismantling.

**TAIL JAW PRESSURE NON-RETURN VALVE**

- The Non-return Valve **21** is located in the tool handle.
- To remove/replace the Non-return Valve **21** depress the bulk head fittings and withdraw the Blue Plastic Tube **23** from both ends.
- When replacing the Non-return Valve **21**, note the orientation.

**HANDLE & END CAP**

- Clean and inspect mouldings for cracks or other damage.

**CURSOR**

- Clean and oil Mechanical Cursor Assembly **5** occasionally with a little light oil.

**I M P O R T A N T**

**Check the tool against daily and weekly servicing.  
Priming is ALWAYS necessary after the tool has been dismantled and prior to operating.**

\* Refers to items included in the 0753 MkII service kit. For complete list see page 23.  
Item numbers in **bold** refer to the general assemblies and parts lists on pages 28-29.

# Maintenance

## Dismantling 07532-02200 MkII

---

To dismantle the 07530-02200 MkII refer to pages 24-25.

### TAIL JAW CYLINDER

- Manually flip the Clip **54** up and remove the End Cap **45**.
  - Using an Allen Key\*, remove one cap head Screw **51** ensuring that any trapped air in the tail jaw cylinder is exhausted. Remove the second cap head Screw **51**.
  - Push forward Rear Plug **53** against Spring **20** and release quickly to allow Rear Plug **53** to fall away.
  - Extract air tail jaw components, comprising Tail Jaw Piston Assembly **21**, Spring **20**, Jaws **16** and Jaw Housing **15**.
  - Remove plug at rear of piston assembly using an Allen Key\* and a bar through the large slot in the turret.
  - Clean out turret using a 4.7mm ( $\frac{3}{16}$ ") drill and replace plug using a non-hardening sealing compound, e.g. Loctite Multi-gasket 574\*.
  - Remove piston seal 'O' Ring **17**.
  - Using an Allen Key\*, remove all five handle moulding securing Screws **41**, **46** and Nuts **40** from the tool handle.
  - Grip Barrel **31** in a vice using soft jaws\* to avoid damage.
  - Using a box spanner\*, unscrew Barrel Plug **14**, preventing Barrel **31** turning by using an open ended spanner\*.
  - Disconnect Air Tail Jaw Concertina Tube **19** from Switch Block **35** and pull Tail Jaw Cylinder **12** from tool.
  - Remove 'O' Ring **10**, Rubbing Strip **22** and Barrel Return Spring **13**.
- 
- Free length of Spring **20** should be 38.1mm (1.5"). Replace if necessary.
  - Coat the tail jaws with Moly Lithium grease before assembling.
- 
- Assemble in reverse order of dismantling.

### HYDRAULIC PISTON

- Remove Tail Jaw Cylinder **12** as described earlier.
  - Grip Body **25** in vice using soft jaws\* to avoid damage, undo Stroke Limiter **23**.
  - Grip Barrel **31** in soft jaw vice, pull Body **25** from Barrel **31** (a small quantity of hydraulic oil will be ejected from inside body).
  - Remove Piston **24** carefully so as not to damage body bore.
  - Remove Seal **9**.
  - Seal **1** is difficult to remove without damaging, but can remain in place during cleaning (provided it is not affected by cleaning process). If however, Seal **1** requires renewing proceed as follows:
  - Using spatula\*, prise out Seal **1** from Body **25**, taking care not to damage body cavity and bores. The removed Seal **1** MUST be discarded.
- 
- To replace Seal **1**, disconnect Hydraulic Hose Assembly **63** and all the associated air pipes. Unscrew Self Closing Coupler **6**, remove Suspension Mounting Plate **4**, unscrew the Adapter Top Hose **2** and fit a spare Bleed Plug Assembly **30** screwing it into bring the inside face level with the internal bore.
  - Unscrew existing bleed plug until inside face is level with internal bore. This will provide a smooth passage for insertion of new Seal **1** through rear of body.
  - Ensure the seal is well greased and the correct way round with the open end of the seal facing the rear tail jaws.
  - Complete assembly in reverse order of dismantling.

\* Refers to items included in the 0753 MkII service kit. For complete list see page 23.  
Item numbers in **bold** refer to the general assemblies and parts lists on pages 30-31.

**Dismantling 07532-02200 MkII**

---

**TRIGGER ASSEMBLY**

- To dismantle/service assembly, remove covers from the tool as described earlier.
- Disconnect all air hoses from assembly, taking care not to damage them. Remove assembly.
- Using a spanner\*, unscrew the Retainer **56** and remove. Take care to keep the Spring **57**.
- Prise off the 'O' Ring **60** taking care not to damage the Spindle **61** and Retainer **56** seatings.
- Clean and re-assemble using a new 'O' Ring **60**.
- Check length of Spring **57** which must be 12.7mm (0.5") free length – replace if necessary.
- Assembly in reverse order of dismantling.

**TAIL JAW ON/OFF VALVE**

- The unit is designed so that minimum of servicing is required during the life of the tool.
- If it is necessary to dismantle valve, proceed as follows:
- Disconnect air hose from assembly, taking care not to damage them. Remove assembly.
- Using an Allen Key\*, loosen Screw **34** clamping assembly to Barrel **31** and remove assembly.
- Using a screwdriver\*, carefully remove the Chrome Star-lock Washer **33** from Air Tail Jaw Spool **36** and discard washer.
- Extract Air Tail Jaw Spool **36** from Switch Block **35**.
- Taking care not to damage the Air Tail Jaw Spool **36**, remove the 'O' Rings **38**.
- Clean spool and refit new 'O' Rings **38** using assembly bullet\* and insert into Switch Block **35**, noting its orientation.
- Fit New Chrome Star-lock Washer **33** by clamping in vice using soft Jaws to prevent damage. DO NOT USE UNDUE FORCE.
- Complete assembly in reverse order of dismantling.

**TAIL JAW PRESSURE NON-RETURN VALVE**

- The Non-return Valve **26** is located in the tool handle.
- To remove/replace the Non-return Valve **26** depress the bulk head fittings and withdraw Blue Plastic Tube **27** from both ends.
- When replacing the Non-return Valve **26**, note the orientation.

**HANDLE & END CAP**

- Clean and inspect mouldings for cracks or other damage.

**CURSOR**

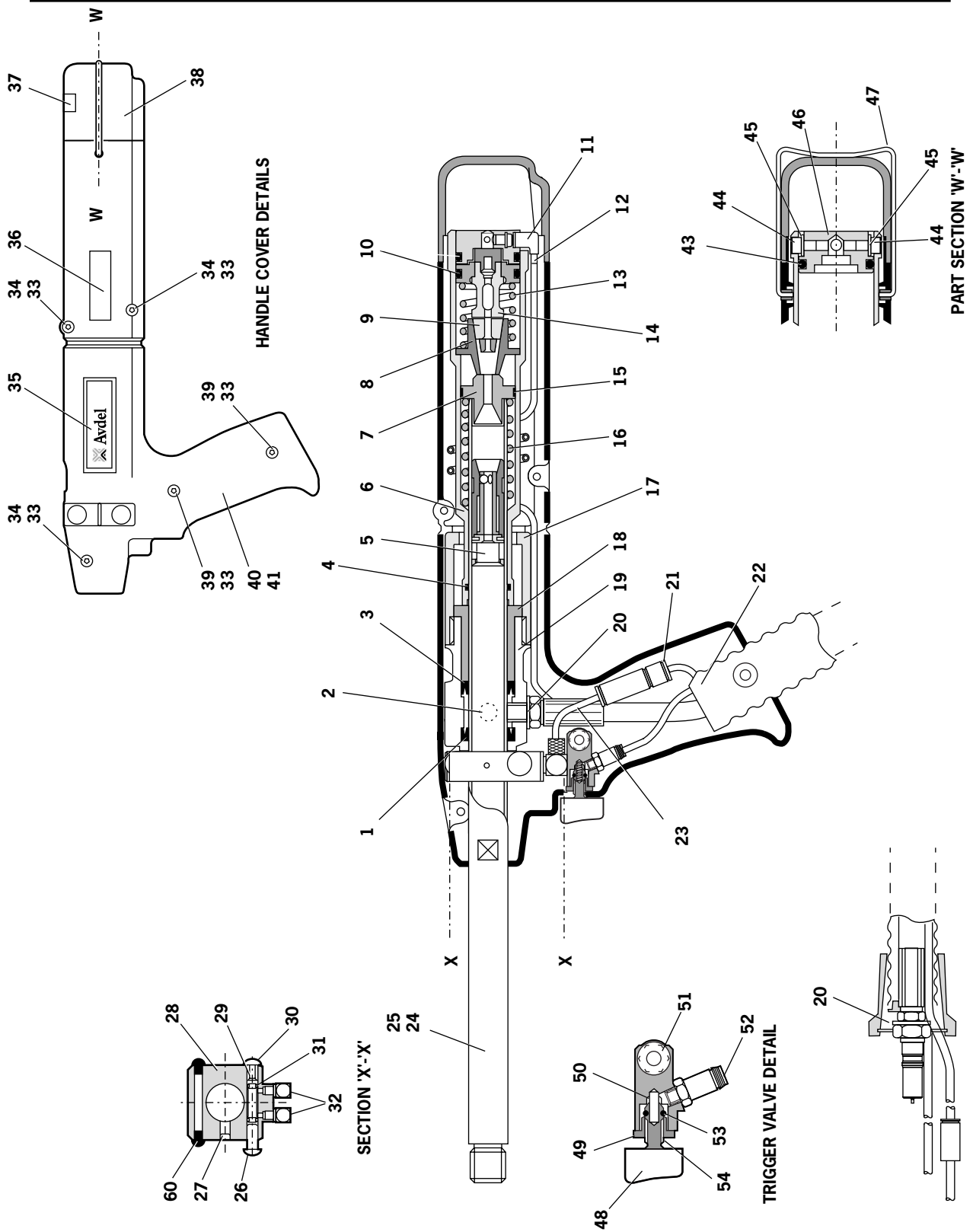
- Clean and oil Mechanical Cursor Assembly **11** occasionally with a little light oil.

**I M P O R T A N T**

**Check the tool against daily and weekly servicing.  
Priming is ALWAYS necessary after the tool has been dismantled and prior to operating.**

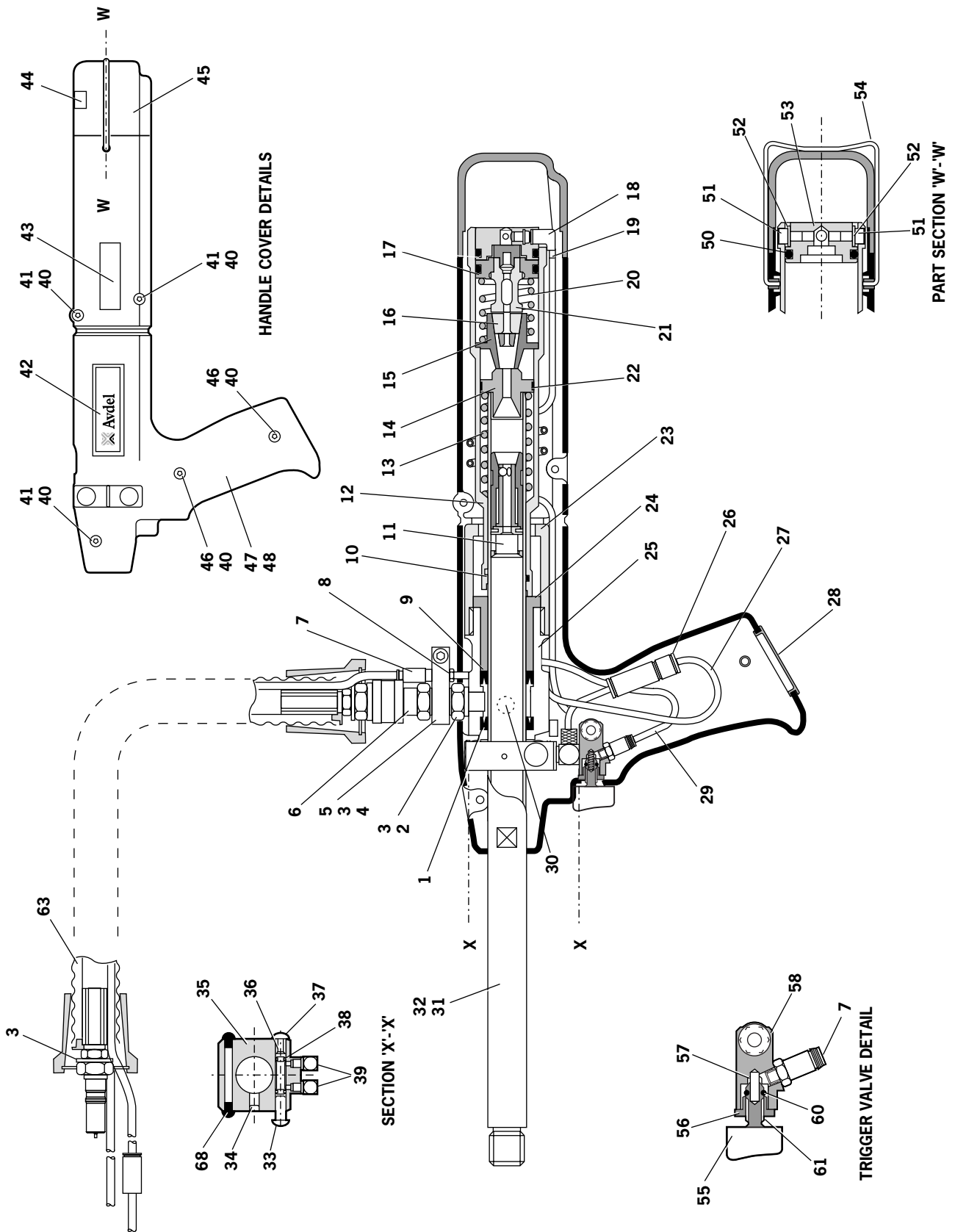
\* Refers to items included in the 0753 MkII service kit. For complete list see page 23.  
Item numbers in **bold** refer to the general assemblies and parts lists on pages 30-31.

# General Assembly of Base Tool 07530-02200 MkII



07530-02200 PARTS LIST									
ITEM	PART N°	DESCRIPTION	QTY	SPARES	ITEM	PART N°	DESCRIPTION	QTY	SPARES
1	07003-00237	SEAL (STATIC)	1	-	29	07530-02302	AIR TAIL JAW SPOOL	1	-
2	07530-00500	BLEED PLUG ASSEMBLY (ITEMS 56 to 59)	1	-	30	07004-00059	1/8" STARLOCK WASHER BLACK	1	-
3	07003-00236	SEAL (DYNAMIC)	1	1	31	07003-00121	'O' RING	2	3
4	07003-00167	'O' RING	1	1	32	07005-01571	ELBOW CONNECTOR	2	-
5	07271-01100	MECHANICAL CURSOR ASSEMBLY	1	-	33	07002-00134	M4 HEX NUT	5	-
6	07530-02207	TAIL JAW CYLINDER	1	-	34	07001-00401	M4 X 10 LONG SOCKET HEAD CAP SCREW	3	-
7	07530-02205	BARREL PLUG	1	-	35	07530-02210	LABEL	2	-
8	07530-00208	JAW HOUSING	1	-	36	07007-01504	CE MARK LABEL	1	-
9	07151-00403	JAWS	2	2	37	07007-01503	BOOK SYMBOL LABEL	1	-
10	07003-00113	'O' RING	1	2	38	07530-02603	END CAP	1	-
11	07005-01972	L TYPE THREADED NIPPLE	1	-	39	07001-00262	M4 X 22 LONG SOCKET HEAD CAP SCREW	2	-
12	07530-02211	AIR TAIL JAW CONCERTINA TUBE	1	-	40	07530-02601	MODIFIED HANDLE MOULDING (RIGHT)	1	-
13	07154-00404	SPRING	1	-	41	07530-02602	MODIFIED HANDLE MOULDING (LEFT)	1	-
14	07530-02800	TAIL JAW PISTON ASSEMBLY	1	-	43	07003-00113	'O' RING	1	-
15	07530-00206	RUBBING STRIP	1	1	44	07001-00504	M4 X 6 LONG SOCKET HEAD CAP SCREW	2	2
16	07490-03002	BARREL RETURN SPRING	1	-	45	07002-00153	M4 WASHER PLASTIC	2	-
17	07530-00204	STROKE LIMITER	1	-	46	07530-02213	REAR PLUG	1	-
18	07530-00203	PISTON	1	-	47	07530-02220	CLIP	1	-
19	07530-02202	BODY	1	-	48	07007-00300	TRIGGER BUTTON	1	-
20	07003-00142	1/8" BSP BONDED SEAL	2	2	49	07220-00803	RETAINER	1	-
21	07005-01973	NON-RETURN VALVE	1	-	50	07125-00215	SPRING	1	-
22	07008-00423	HYDRAULIC HOSE ASSEMBLY	1	-	51	07530-02311	TRIGGER HOUSING	1	-
23	07005-01083	4mm O/D BLUE PLASTIC TUBE	60mm	-	52	07005-01357	COLLET TYPE CONNECTOR	1	-
24	07007-00017	DUST CAP	1	-	53	07003-00022	'O' RING	1	-
25	07530-02201	BARREL	1	-	54	07241-00208	SPINDLE	1	-
26	07004-00058	1/8" STARLOCK WASHER CHROME	1	-	56	07003-00142	● BONDED SEAL	1	1
27	07001-00404	M5 X 6 LONG SOCKET HEAD SCREW	1	-	57	07003-00194	● BONDED SEAL	1	1
28	07530-02301	SWITCH BLOCK	1	-	58	07001-00442	● SCREW	1	-
					59	07530-00501	● PLUG	1	-
					60	07530-00310	BLANKING PLUGS	2	-

# General Assembly of Base Tool 07532-02200 MkII



07532-02200 PARTS LIST									
ITEM	PART N°	DESCRIPTION	QTY	SPARES	ITEM	PART N°	DESCRIPTION	QTY	SPARES
1	07003-00237	SEAL (STATIC)	1	-	33	07004-00058	1/8" STARLOCK WASHER CHROME	1	-
2	07532-00203	ADAPTOR TOP HOSE	1	-	34	07001-00404	M5 X 6 LONG SOCKET HEAD SCREW	1	-
3	07003-00142	1/8" BSP BONDED SEAL	4	2	35	07530-02301	SWITCH BLOCK	1	-
4	07532-02202	SUSPENSION MOUNTING PLATE	1	-	36	07530-02302	AIR TAIL JAW SPOOL	1	-
5	07532-00205	MODIFIED SCREW	1	-	37	07004-00059	1/8" STARLOCK WASHER BLACK	1	-
6	07005-00759	SELF CLOSING COUPLER	1	-	38	07003-00121	'O' RING	2	3
7	07005-01357	COLLET TYPE CONNECTOR	3	-	39	07005-01571	ELBOW CONNECTOR	2	-
8	07005-01325	BARBED STRAIGHT CONNECTOR	2	-	40	07002-00134	M4 HEX NUT	5	-
9	07003-00236	SEAL (DYNAMIC)	1	1	41	07001-00401	M4 X 10 LONG SOCKET HEAD CAP SCREW	3	-
10	07003-00167	'O' RING	1	1	42	07530-02210	LABEL	2	-
11	07271-01100	MECHANICAL CURSOR ASSEMBLY	1	-	43	07007-01504	CE MARK LABEL	1	-
12	07530-02207	TAIL JAW CYLINDER	1	-	44	07007-01503	BOOK SYMBOL LABEL	1	-
13	07490-03002	BARREL RETURN SPRING	1	-	45	07530-02603	END CAP	1	-
14	07530-02205	BARREL PLUG	1	-	46	07001-00262	M4 X 22 LONG SOCKET HEAD CAP SCREW	2	-
15	07530-00208	JAW HOUSING	1	-	47	07532-02208	MODIFIED HANDLE MOULDING (RIGHT)	1	-
16	07151-00403	JAWS	2	2	48	07532-02209	MODIFIED HANDLE MOULDING (LEFT)	1	-
17	07003-00113	'O' RING	1	2	50	07003-00113	'O' RING	1	-
18	07005-01972	L TYPE THREADED NIPPLE	1	-	51	07001-00504	M4 X 6 LONG SOCKET HEAD CAP SCREW	2	2
19	07530-02211	AIR TAIL JAW CONCERTINA TUBE	1	-	52	07002-00153	M4 WASHER PLASTIC	2	-
20	07154-00404	SPRING	1	-	53	07530-02213	REAR PLUG	1	-
21	07530-02800	TAIL JAW PISTON ASSEMBLY	1	-	54	07530-02220	CLIP	1	-
22	07530-00206	RUBBING STRIP	1	1	55	07007-00300	TRIGGER BUTTON	1	-
23	07530-00204	STROKE LIMITER	1	-	56	07220-00803	RETAINER	1	-
24	07530-00203	PISTON	1	-	57	07125-00215	SPRING	1	-
25	07530-02202	BODY	1	-	58	07530-02311	TRIGGER HOUSING	1	-
26	07005-01973	NON-RETURN VALVE	1	-	60	07003-00022	'O' RING	1	-
27	07005-01083	4mm O/D BLUE PLASTIC TUBE	350mm	-	61	07241-00208	SPINDLE	1	-
28	07532-02215	SEALING PLUG	1	-	63	07008-00414	HYDRAULIC HOSE ASSEMBLY	1	-
29	07005-01084	4mm O/D BLACK PLASTIC TUBE	220mm	-	64	07003-00142	● BONDED SEAL	1	1
30	07530-00500	BLEED PLUG ASSEMBLY (ITEMS 64 to 67)	1	-	65	07003-00194	● BONDED SEAL	1	1
31	07530-02201	BARREL	1	-	66	07001-00442	● SCREW	1	-
32	07007-00017	DUST CAP	1	-	67	07530-00501	● PLUG	1	-
					68	07530-00310	BLANKING PLATE	2	-

# Intensifier 07531-02200 - Maintenance

## Dismantling Instructions

---

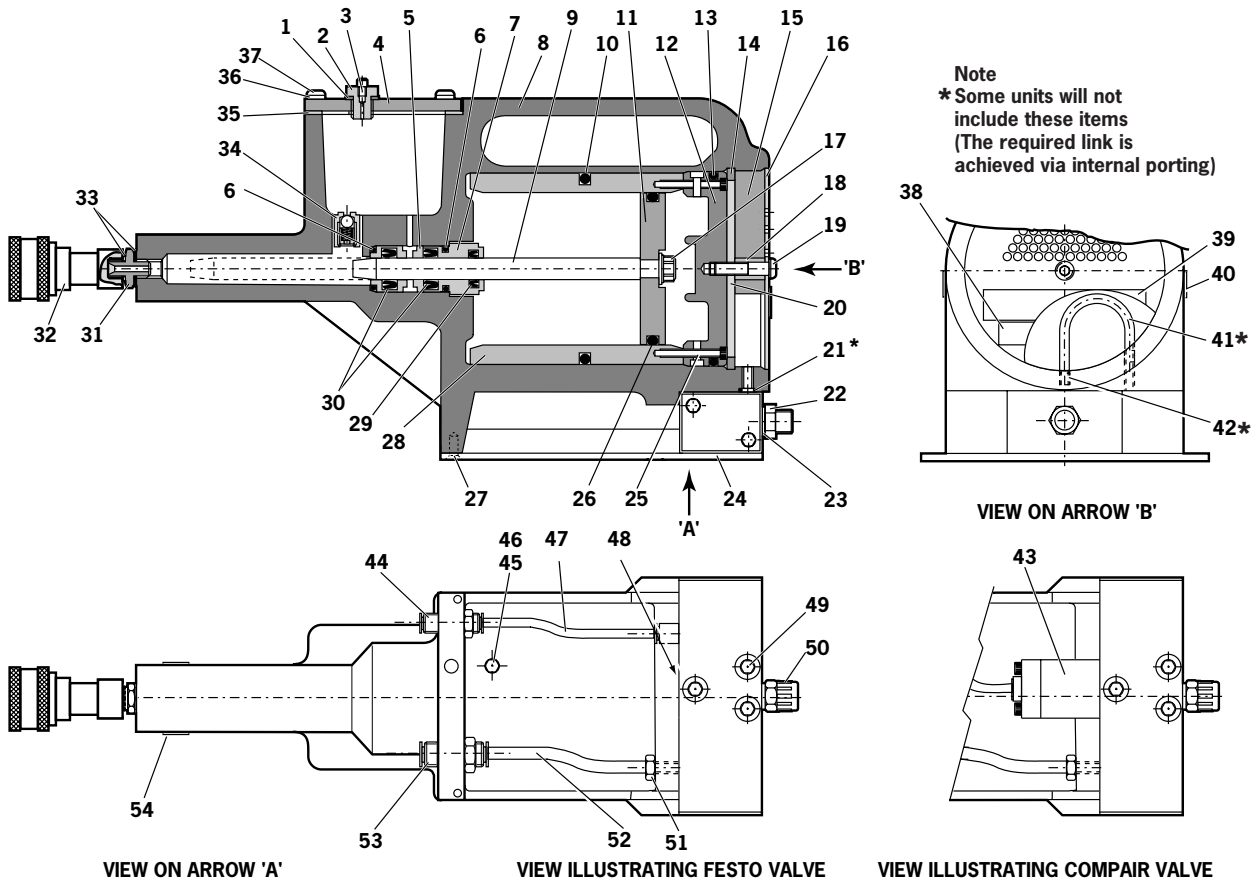
- When dismantling the intensifier assembly, first disconnect the air supply hose to intensifier inlet Connector **22**.
- Using an Allen Key\* undo four Screws **27** and remove Protection Plate **24**.
- Disconnect the trigger hose (item 22 on page 28 or item 29 on page 30) from the intensifier Valve **43** or **48** by depressing the outlet collet and withdrawing the hose.
- Remove Cover Plate **4** and Gasket **35** by removing Screws **37** and Washers **36** using Allen Key\*.
- Ensure that gasket is not damaged to ensure a proper seal on assembly.
- Invert intensifier assembly and drain oil from reservoir into a suitable container.
- Remove Quick Release Connector **32** together with Connector **31** and Seals **33** with suitable spanner\*.
- Remove intensifier Valve **43** or **48** by removing the fixing screws with a suitable spanner taking care to retain 'O' Ring **21** located in the Intensifier Body Casting.
- Remove Screw **19** using a suitable Allen Key\* and remove Silencer Cover **16**, Foam Silencer **15**, Spacer **18** and Retaining Plate **20**.
- Pull off the 6mm Plastic Tube **41** from Vacuum Connectors **42**.
- From the base of the intensifier insert a 3mm Allen Key \* through the two holes and unscrew the Vacuum Connectors **42**. Note:
  - Care must be taken as the vacuum connectors are locked and sealed in place using Loctite 574.
  - If difficult to remove, the vacuum connectors can be drilled out using a  $\frac{3}{16}$ " or 4.7mm diameter drill.
- To reassemble the Vacuum Connectors **42**, the following procedure must be followed: -
  - Soak the vacuum connectors in a suitable primer, i.e. Perma Bond A905
  - Place a drop of Loctite 574 in the intensifier threaded hole.
  - From the base of the intensifier insert the Allen Key \* through the hole. Ensure that the Allen Key \* is free from Loctite 574 before inserting into the vacuum connector.
  - Rotate the Allen Key while applying Loctite 574 to the base of the vacuum connector.
  - Screw the Vacuum connector into the intensifier, ensuring that there is sufficient Loctite 574 at the base of the fitting such the thread is not visible.
- Using a screwdriver, carefully remove internal Retaining Ring **14**. Clean and inspect groove for sign of damage.
- Using Extractor\*, insert male threaded end into End Cover **12** and withdraw it along with intensifier Sleeve **28** and 'O' Rings **10** and **13**.
- Insert Rod\* through the connector orifice at the front of the intensifier body and tap out Piston Rod **9** and Piston Assembly.
- Using a suitable Allen Key\*, unscrew two Screws **25** and remove End Cover **12** from intensifier Sleeve **28**.
- Remove Seal Plug **7** with spanner\*.
- Insert rod\* through connector orifice at the front of the intensifier body and push out Seal Housing **5** and associated 'O' rings and lip seals.
- Remove Valve Housing Assembly **34** from the main body with a suitable spanner\*. Clean by blowing through with a low-pressure air jet.
- Remove Piston Rod **9** from intensifier Air Piston **11** by gripping the first 20 mm ( $\frac{3}{4}$ " ) of the rod in a vice fitted with soft jaws, taking care not to damage or mark the working surface.
- Unscrew locking Nut **17** with a suitable spanner\*.
- Assemble in the reverse order of dismantling, observing the following:
  - Clean all parts and renew all 'O' rings.
  - Lubricate all seals using Moly Lithium grease.
  - Valve Housing Assembly **34** must be refitted using a thread sealing adhesive.
  - Assemble the Piston Assembly using a new Nut **17**.
  - End Cover **12** must be fitted correctly inside Retaining Ring **14**. The tool must not be operated if the end cover has been omitted.

### I M P O R T A N T

**Priming is ALWAYS necessary after the tool has been dismantled and prior to operating.**

\* Refers to items included in the 0753 MkII service kit. For complete list see page 23.  
Item numbers in **bold** refer to the illustration and parts list opposite.





### 07531-02200 PARTS LIST

ITEM	PART N°	DESCRIPTION	QTY	SPARES	ITEM	PART N°	DESCRIPTION	QTY	SPARES
1	07003-00037	SEAL	1	1	28	07531-00201	SLEEVE	1	-
2	07240-00211	FILLER SCREW	1	-	29	07003-00337	LIP SEAL	1	1
3	07001-00418	BLEED SCREW	1	1	30	07003-00336	LIP SEAL	2	2
4	07240-00210	COVER PLATE	1	-	31	07005-00406	CONNECTOR	1	-
5	71420-02006	SEAL HOUSING	1	-	32	07005-00759	QUICK RELEASE CONNECTOR	1	-
6	07003-00153	'O' RING	2	-	33	07003-00142	SEAL	2	1
7	71420-02007	SEAL PLUG	1	-	34	07240-00400	VALVE HOUSING ASSEMBLY	1	-
8	71420-02300	BODY ASSEMBLY	1	-	35	07240-00209	GASKET	1	1
9	71420-02008	PISTON ROD	1	-	36	07002-00073	WASHER	4	1
10	07003-00182	'O' RING	1	1	37	07001-00554	SCREW	4	1
11	07531-00202	AIR PISTON	1	-	38	07007-01504	LABEL	1	-
12	07531-00204	END COVER	1	-	39	07240-00217	LABEL	1	-
13	07003-00183	'O' RING	1	1	40	07531-00205	LABEL	2	-
14	07004-00069	RETAINING RING	1	1	41	07005-00596	* 6mm PLASTIC TUBE	-	-
15	07240-00213	FOAM SILENCER	1	1	42	07245-00103	* VACUUM CONNECTOR	2	-
16	07240-00214	SILENCER COVER	1	-	43	07005-00590	COMPAIR VALVE	1	1
17	07002-00017	NUT	1	1	44	07005-01431	BULKHEAD CONNECTOR	1	1
18	07240-00215	SPACER	1	-	45	07005-00668	M5 PLUG	1	-
19	07001-00417	SCREW	1	1	46	07005-00670	M5 SEALING RING	1	-
20	07240-00216	RETAINING PLATE	1	-	47	07005-01084	4mm PLASTIC TUBE (150mm)	-	-
21	* 07003-00042	'O' RING	1	1	48	07005-01524	FESTO VALVE	1	-
22	07005-00041	CONNECTOR	1	-	49	07001-00176	SCREW	3	-
23	07003-00065	WASHER	1	-	50	07007-00292	1/4" BSP REDCAP	1	-
24	07240-00220	PROTECTION PLATE	1	-	51	07005-00647	CONNECTOR	1	-
25	07001-00375	SCREW	2	-	52	07005-01085	6mm PLASTIC TUBE (150mm)	-	-
26	07003-00238	'O' RING	1	1	53	07005-00855	BULKHEAD UNION	1	-
27	07001-00396	SCREW	4	-	54	07007-01503	LABEL	1	-

# Pilot Valve 07005-00590 - Maintenance

## Dismantling Instructions

---

Please note that these service instructions refer to the Compair valve where fitted.

Servicing of the valve is limited to the removal/replacement of 'O' rings.

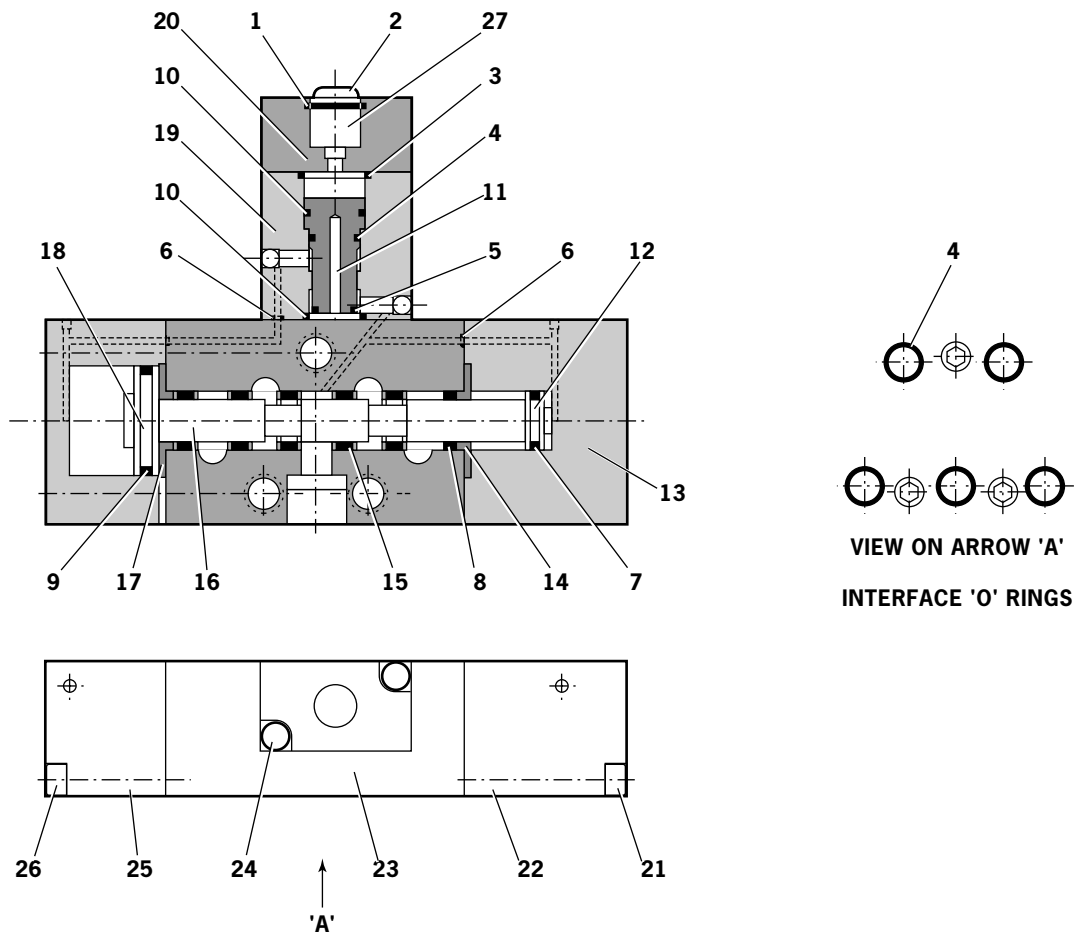
- Remove Screws **24** and remove pilot assembly .
- Remove Piston **11** and discard 'O' Rings **3, 10, 4** and **5**.
- Remove Screws **26** and **21** and remove End Caps **22** and **25**.
- Withdraw Pistons **12** and **18** and remove 'O' Rings **7** and **9** from pistons.
- Withdraw Spool **16** from bore, taking care not to damage surface of spool and remove location Washers **14** and **17**, 'O' Ring **8**, Spacers **15** and 'O' Ring **6** from each end of valve body.
- Remove five interface 'O' Rings **4**.
- Discard ALL 'O' rings removed.
- Clean all parts with paraffin or white spirit. DO NOT USE SOLVENTS. Dry all parts.
- Lightly smear bores of valve Body **23**, pilot valve Body **19**, both End Caps **22** and **25** and all replacement 'O' rings with CENTOPLEX 2 grease.
- Fit new 'O' Rings **10, 4** and **5** to Piston **11** and insert into pilot valve body.
- Fit new 'O' Rings **3, 10** and **6** to pilot valve body, place Top Cap **20** in position and secure pilot valve assembly to main valve Body **23** with Screws **24**. Ensure that the interface seal housing faces upward with the G1/4 at the bottom. Ensure orientation of Piston **11** is correct.
- With main valve Body **23** in the same position, fit green location Washer **17** to the left hand side of the valve assembly.
- Starting from the right hand side of the valve, assemble alternately 'O' Rings **8** and Spacers **15** (6 seals and 5 spacers) and finally complete the stack assembly with white location Washer **14**.
- Lightly smear Spool **16** with CENTOPLEX 2 grease, supplied with the service kit, and slide spool through seal/spacer stack.
- Fit 'O' Rings **9** and **7** to respective Pistons **18** and **12**, fit 'O' Rings **6** to ends of main valve Body **23**.
- Insert pistons into End Caps **25** and **22** and assemble end caps to valve, taking care to locate piston shafts into holes in the ends of Spool **16**.
- Secure end cap assemblies to main valve Body **23** with Screws **26** and **21**.
- Fit interface 'O' Rings **4** into their housings in the main valve body.
- If the pipe connection to the pilot assembly is damaged, replace Plastic Collet **2** and lift out the 'O' Ring **1** from Cartridge **27**.
- Fit new 'O' Ring **1** and insert Plastic Collet **2** into Cartridge **27**.

### IMPORTANT

**Priming is ALWAYS necessary after the tool has been dismantled and prior to operating.**

Item numbers in **bold** refer to the illustration and parts list opposite.

# Pilot Valve 07005-00590 - Spares Information English



07005-00590 VALVE PARTS LIST									
ITEM	PART N°	DESCRIPTION	QTY	SPARES	ITEM	PART N°	DESCRIPTION	QTY	SPARES
1	07005-00599	* 'O' RING	-	-	15	-	† SPACER	5	-
2	07005-00598	* PLASTIC COLLET	-	-	16	-	† SPOOL	1	-
3	07003-00204	* 'O' RING	1	-	17	-	† WASHER	1	-
4	07003-00103	* 'O' RING	6	-	18	-	† PISTON	1	-
5	07003-00042	* 'O' RING	1	-	19	-	† BODY	1	-
6	07003-00121	* 'O' RING	4	-	20	-	† TOP CAP	1	-
7	08005-00127	* 'O' RING	1	-	21	-	† SCREW	2	-
8	07003-00105	* 'O' RING	6	-	22	-	† END CAP	1	-
9	07003-00178	* 'O' RING	1	-	23	-	† BODY	1	-
10	07003-00017	* 'O' RING	2	-	24	-	† SCREW	2	-
11	-	† PISTON	1	-	25	-	† END CAP	1	-
12	-	† PISTON	1	-	26	-	† SCREW	2	-
13	07005-00590	VALVE ASSEMBLY	-	-	27	-	† CARTRIDGE	1	-
14	-	† WASHER	1	-					

\* Together these items make up a Service Kit for the valve with the addition of one Centoplex 2 tube of grease, the kit is available from Avdel, part number 07005-01538.

† Not available as a spare

# Priming

---

Priming is ALWAYS necessary after the tool has been dismantled and prior to operating. It may also be necessary to restore the full stroke after considerable use, when the stroke may be reduced and fasteners are not fully placed by one operation of the trigger.

## Oil Details

---

The recommended oil for priming is Hyspin VG32 and AWS 32 available in 0.5l (part number 07992-00002) or one gallon containers (part number 07992-00006). Please see safety data below.

## Hyspin VG 32 and AWS 32 Oil Safety Data

---

### First Aid

#### SKIN:

Wash thoroughly with soap and water as soon as possible. Casual contact requires no immediate attention. Short term contact requires no immediate attention.

#### INGESTION:

Seek medical attention immediately. DO NOT induce vomiting.

#### EYES:

Irrigate immediately with water for several minutes. Although NOT a primary irritant, minor irritation may occur following contact.

### Fire

Suitable extinguishing media: CO<sub>2</sub>, dry powder, foam or water fog. DO NOT use water jets.

### Environment

WASTE DISPOSAL: Through authorised contractor to a licensed site. May be incinerated. Used product may be sent for reclamation.

SPILLAGE: Prevent entry into drains, sewers and water courses. Soak up with absorbent material.

### Handling

Wear eye protection, impervious gloves (e.g. of PVC) and a plastic apron. Use in well ventilated area.

### Storage

No special precautions.

## Priming Procedure

---

### I M P O R T A N T

#### DO NOT OPERATE THE TRIGGER WHILE THE BLEED SCREW IS REMOVED

All operations should be carried out on a clean bench, with clean hands in a clean area.

Ensure that the new oil is perfectly clean and free from air bubbles.

Care **MUST** be taken at all times, to ensure that no foreign matter enters the tool, or serious damage may result.

- Remove Screw **2** and Seal **1** from Plastic Cover plate **4** on the intensifier reservoir.
- Pour the priming oil into the reservoir until it is approximately 1/2" (12mm) from the top.
- Replace Screw **2** and Seal **1**.
- Connect the intensifier unit to the air supply. Remove screw from reservoir.
- With the pistol unit fitted to the intensifier unit and held below the level of the intensifier unit, unscrew Bleed Screw **58** from Bleed Plug Assembly **2** on the 07530 Mk II tool or Bleed Screw **66** from Bleed Plug Assembly **30** on the 07532 Mk II tool two turns and allow oil to flow out of the tool.
- When the oil runs freely and free of air bubbles, tighten the bleed screw.
- Top up the reservoir on the intensifier unit with priming oil.
- Cycle the tool until any air bubbles present in the oil are expelled into the oil reservoir.

Item numbers in **bold** refer to the general assemblies and parts lists pages 28-33.

Symptom	Possible Cause	Remedy	Page Ref
Tool will not place fastener	Low air pressure.	Increase air pressure	
	Lack of lubrication.	Lubricate tool at air inlet point	
	High broach load.	Check fastener grip and application hole size	
	Check for correct size mandrel.		
	Worn or broken tail jaws.	New tail jaws	
	Tail jaws switched off.	Switch on tail jaws	
	Air in hydraulic system.	See 'Priming Procedure'	36
'Mandrel Slip' - jaws will not grip mandrel	Worn or dirty tail jaws.	Clean or renew as necessary	
	' Insufficient air pressure/volume.	Increase air pressure/volume	
	' Tail jaw switch inoperable.	Replace switch	
	' Air leaks to tail jaws.	Renew 'O' rings on piston <b>8</b>	
	Mandrel broken and not reaching tail jaws.	Replace mandrel	
	Defective non-return valve.	Replace non-return valve	
Jaws will not release mandrel	Dirty tail jaws or jaw housing.	Clean and lubricate	
	Faulty tail jaw switch.	Replace 'O' rings	
Fasteners will not feed through nose jaws	Tail jaws not switched on.	Switch on tail jaws	
	Worn tail jaws.	Renew tail jaws	
	Cursor orientation incorrect.	Refit, ensuring correct orientation	
	Incorrect cursor	Fit correct cursor	
	Incorrect nose jaws.	Fit correct nose jaws	
	Mandrel follower spring not fitted.	Fit correct mandrel follower spring	
	Incorrect gap between fastener head and nose jaws when loaded.	Set gap to 1.5mm - 3mm (1/16" - 1/8") See 'Loading the Tool'	10
	Cursor sticking.	Clean and oil cursor	
	Weak outer spring around cursor.	Renew cursor	
Incorrect mandrel follower spring fitted.	Fit correct mandrel follower spring		
Excessive tail jaw wear	High broach load.	Check application hole size and thickness and fastener grip capability	
Feeding more than one fastener at a time	Mandrel slip.	Check as for 'Mandrel Slip', stage 2	
	Incorrect gap between fastener head and nose jaws when loaded	Set gap to 1.5mm - 3mm (1/16" - 1/8") See 'Loading the Tool'	10

Other symptoms or failures should be reported to your local Avdel authorised distributor or repair centre.

# Notes

---

We, Avdel UK Limited; Watchmead Industrial Estate, Welwyn Garden City, Hertfordshire, AL7 1LY  
declare under our sole responsibility that the product:

English

**Model 0753 MkII type 07530 - 07532 models**

Hand Tool Serial No.

Intensifier Serial No.

to which this declaration relates is in conformity with the following standards:

EN292 part 1 and part 2

ISO 8662 part 1

ISO 3744

ISO PREN792 part 14

EN 60742/0695

EN 50081-1

EN 55014

following the provisions of the Machine Directive 98/37/EC



A. Seewraj - Product Engineering Manager Automation Tools

Date of issue

[Redacted date of issue]



**This box contains a power tool which is in  
conformity with Machines Directive  
98/37/EC. The 'Declaration of Conformity' is  
contained within.**





# Sommaire

<b>Règles de sécurité</b>	42	<b>Entretien</b>	
<b>Caractéristiques</b>		Démontage de l'outil 07530-02200 Mk II	62-63
Caractéristiques de l'outil type 0753 Mk II	43	Démontage de l'outil 07532-02200 Mk II	64-65
Caractéristiques de l'intensificateur 07531	43	07530-02200 Mk II - assemblage général et liste de pièces	66-67
<b>Utilisation prévue</b>	44	07532-02200 Mk II - assemblage général et liste de pièces	68-69
Dimensions de l'outil	45	Intensificateur 07531-02200	70-71
<b>Mise en service</b>		Valve pilote 07005-00590 Information sur les pièces détachées	72-73
Alimentation pneumatique	46	<b>Plein d'huile</b>	
Courseur mécanique	47	Caractéristiques de l'huile	74
Courseur	48	Information de sécurité Hyspin VG 32 et AWS 32 (huile)	74
Chargement et rechargement de l'outil	48-49	Procédure de plein d'huile	74
Procédure d'utilisation	49	<b>Diagnostic des pannes</b>	
Identification et sens de montage des ressorts d'aiguille	50	Symptôme, Cause possible & Remède	75
<b>Ensembles de nez</b>			
Nez de pose	51		
Sélection d'un nez de pose	52		
Tableaux de sélection des nez de pose	53-54		
Aiguilles et ressorts d'aiguille	55		
Tableaux de sélection Chobert® et Grov®	55-56		
Tableaux de sélection Briv®	57-58		
Types de cônes d'aiguille et longueur 'P'	58		
Tableaux de sélection Avlug®, Avsert®, Avtronic® et Rivscrew®	59		
<b>Entretien de l'outil</b>			
Quotidien / hebdomadaire	60		
Informations de sécurité, graisse au bisulfure de molybdène EP 3735	60		
Kit d'entretien	61		

## Garantie

**Les outils d'installation de Avdel sont couverts par une garantie de 12 mois contre tout vice de fabrication ou toute malfaçon. La période de garantie commence à la date de livraison confirmée par la facture ou le récépissé de livraison.**

**L'opérateur/l'acheteur bénéficie de la garantie si l'outil a été acheté dans un point de vente agréé et seulement s'il est utilisé pour l'usage prévu. La garantie de l'outil est annulée en cas de non-respect des instructions d'entretien, de révision et d'utilisation contenues dans les Manuels d'instructions et d'entretien.**

**Dans l'éventualité d'un défaut ou d'une défaillance, Avdel, à son entière discrétion, s'engage uniquement à réparer ou remplacer les composants défectueux.**

Avdel poursuit une politique de développement et d'amélioration continue et se réserve le droit de modifier les caractéristiques de ses produits sans préavis.

# Règles de Sécurité

---

**Toute personne participant à l'installation, à l'utilisation ou à l'entretien de cet outil doit lire attentivement ce manuel.**

- 1 Ne pas employer à d'autres usages que celui prévu.
- 2 L'outil à main et l'intensificateur ont été testés indépendamment l'un de l'autre avant d'être rassemblés. Ces outils ont été conçus pour n'être utilisés qu'ensemble et exclusivement dans le cadre de l'application préconisée.
- 3 Ne pas utiliser avec cet outil/cette machine d'autres matériels que ceux recommandés et fournis par Avdel.
- 4 Toute modification apportée par le client à l'outil ou à la machine, aux ensembles de nez, aux accessoires ou à tout autre matériel fourni par Avdel ou ses représentants relève de la seule et entière responsabilité du client. Avdel donnera volontiers son avis sur toute modification envisagée.
- 5 L'outil ou la machine doivent être maintenus en permanence en état de fonctionner sans danger et leur bon état et fonctionnement doivent être vérifiés à intervalles réguliers par un personnel compétent et ayant reçu la formation adéquate. Toute opération de démontage ne doit être entreprise que par des personnes formées aux procédures Avdel. Ne pas démonter cet outil/cette machine avant d'avoir consulté les instructions de maintenance. Prière de contacter Avdel en indiquant vos besoins en formation.
- 6 L'outil ou la machine doivent à tout moment être utilisés conformément à la législation d'hygiène et de sécurité conforme aux règlements du Ministère du Travail en application de l'article R233-69 du code du travail. Toute question relative à la bonne utilisation de l'outil ou de la machine et à la sécurité de l'opérateur doit être adressée à Avdel.
- 7 Il appartient au client d'expliquer à chaque opérateur les précautions à respecter lors de l'utilisation de l'outil ou de la machine.
- 8 Toujours débrancher le tuyau d'air du raccord d'arrivée de l'outil ou de la machine avant tout réglage, montage ou démontage d'un ensemble de nez.
- 9 Ne pas mettre en marche un outil ou une machine dirigés vers une/des personne(s).
- 10 L'opérateur veillera à adopter une position équilibrée et stable avant d'utiliser l'outil/la machine.
- 11 S'assurer que les orifices de mise à l'atmosphère ne viennent pas à être obstrués ou masqués et que les flexibles sont toujours en bon état.
- 12 La pression d'utilisation ne doit pas dépasser 7 bars.
- 13 La combinaison fixation, aiguille, dimension du trou et épaisseur de tôle doit être conforme aux spécifications imposées par Avdel.
- 14 Ne pas utiliser l'outil si celui-ci n'est pas muni d'un ensemble de nez complet, à moins d'une consigne contraire explicite.
- 15 Lors de l'utilisation de l'outil, l'opérateur et les personnes se trouvant à proximité doivent impérativement porter des lunettes de sécurité pour se protéger contre l'éjection des fixations en cas de pose 'en l'air'. Nous recommandons le port de gants en cas de présence d'arêtes ou d'angles vifs sur l'application.
- 16 Veiller à ne pas laisser des vêtements amples, cravates, cheveux longs, chiffons de nettoyage, etc. se prendre dans les parties mobiles de l'outil. L'outil doit être maintenu sec et propre pour donner la meilleure prise.
- 17 Lors du transport de l'outil, éloigner les mains de la gâchette ou du levier pour éviter un déclenchement intempestif de l'outil.
- 18 Tout contact excessif avec de l'huile hydraulique doit être évité. Veiller à bien se laver pour éviter tout risque d'éruption cutanée.

## **I M P O R T A N T**

**Bien qu'une usure et un marquage limités des aiguilles soient inévitables suite à leur utilisation normale et correcte, l'on veillera à les examiner régulièrement à la recherche de signes d'usure ou de marquage excessifs, en particulier au niveau du diamètre du cône et de la zone de prise des mâchoires d'aiguille du fût, de signes de piquage intensif du fût ou de déformation de l'aiguille. Un dysfonctionnement de l'aiguille en cours d'utilisation pourrait provoquer son éjection de l'outil. La responsabilité de veiller à ce que les aiguilles soient remplacées avant d'atteindre un niveau excessif d'usure et toujours avant le nombre maximum de poses préconisé, incombe au client. Contacter le représentant Avdel le plus proche, qui se chargera de fournir cette information en mesurant la force de mandrinage de votre application à l'aide d'un outil de test calibré. Ces outils sont également vendus sous la référence 07900-09080 et sont fournis avec toute l'information nécessaire aux tests incluse dans ce manuel.**

## Caractéristiques de l'outil Type 0753 Mk II

---

<b>Pression d'air</b>	minimum - maximum	5 - 7 bars
<b>Volume d'air libre nécessaire</b>	@ 5,1 bars / 75 lbf/in <sup>2</sup>	2,6 litres
<b>Course</b>	minimum	30 mm
<b>Force de Traction</b>	@ 5,5 bars / 80 lbf/in <sup>2</sup>	3,89 kN
<b>Cycle de Pose</b>	environ	1 seconde
<b>Niveau Sonore</b>	Inférieur à	70 dB(A)
<b>Poids</b>	Pistolet	1,2 kg
<b>Vibration</b>	Inférieur à	2,5 m/s <sup>2</sup>

## Caractéristiques de l'intensificateur 07531

---

<b>Pression d'air</b>	minimum - maximum	5 - 7 bars
<b>Rapport d'intensification</b>		32:1

# Utilisation Prévue

L'outil pneumatique de type 0753 Mk II a été conçu pour la pose de fixations rapides Avdel® (sauf Avlug 1,6 mm) et convient tout particulièrement à l'assemblage en lots ou chaîne continue requis par un large éventail d'applications, toutes industries confondues.

L'outil à main et l'intensificateur ont été testés indépendamment l'un de l'autre avant d'être rassemblés. Ces outils ont été conçus pour n'être utilisés qu'ensemble et exclusivement dans le cadre de l'application préconisée. Consulter la rubrique "Mise en service" de la page 46 pour ce qui concerne les détails de raccordement.

Les modèles 07530 Mk II et 07532 Mk II sont tous deux des outils à main légers. La seule différence entre eux réside dans l'emplacement de l'arrivée du flexible. Sur l'outil 07532 Mk II, l'arrivée par le haut permet de suspendre l'outil à une plaque de montage additionnelle (voir le plan ci-contre). Les numéros de référence indiqués permettent de commander un outil complet, y compris l'intensificateur et tous les flexibles, à l'exception de l'équipement de pose.

Les modèles 07530 MkII et 07532 MkII utilisent les pistolets de référence 07530-02200 et 07532-02200 respectivement. Voir la rubrique Assemblage général des pages 66-69.

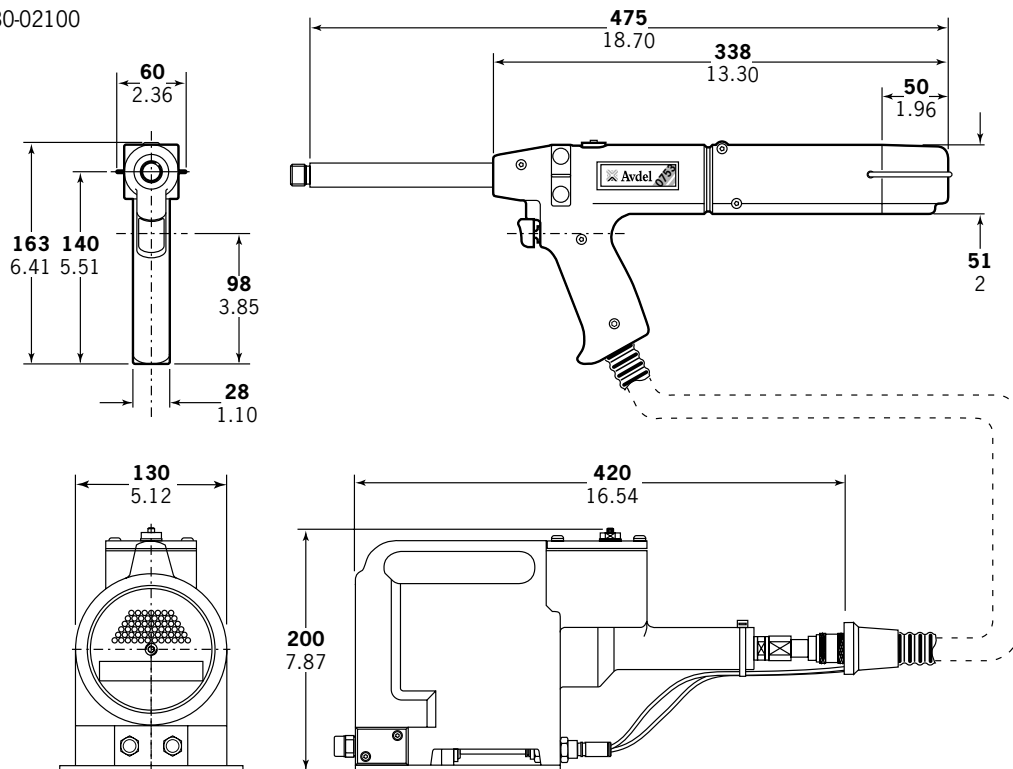
Les deux modèles permettent de poser les mêmes fixations et, comme l'indique le tableau suivant, peuvent poser la plupart des fixations à répétition.

Les deux modèles utilisent le même équipement de pose. La sélection des composants compatibles avec le type et les dimensions de la fixation utilisée par votre application doit s'effectuer à partir de la rubrique Equipement de pose du manuel (voir pages 51-59). Les dimensions des nez de pose sont listées sur les pages 52.

NOM DE LA FIXATION	TAILLE DE LA FIXATION											
	2,4 mm	3,2 mm	4,0 mm	4,8 mm	6,4 mm	2,5 mm 2,8 mm	3 mm	3,5 mm	4 mm	6 mm	M2.5 4-40 UNC	M3 6-32 UNC
CHOBERT®	●	●	●	●	●							
GROV®	●	●	●	●								
AVLUG®	●	●										
BRIV®	●	●	●	●						●		
RIVSCREW®						●	●	●	●			
AVTRONIC®						●						
AVSERT®											●	●

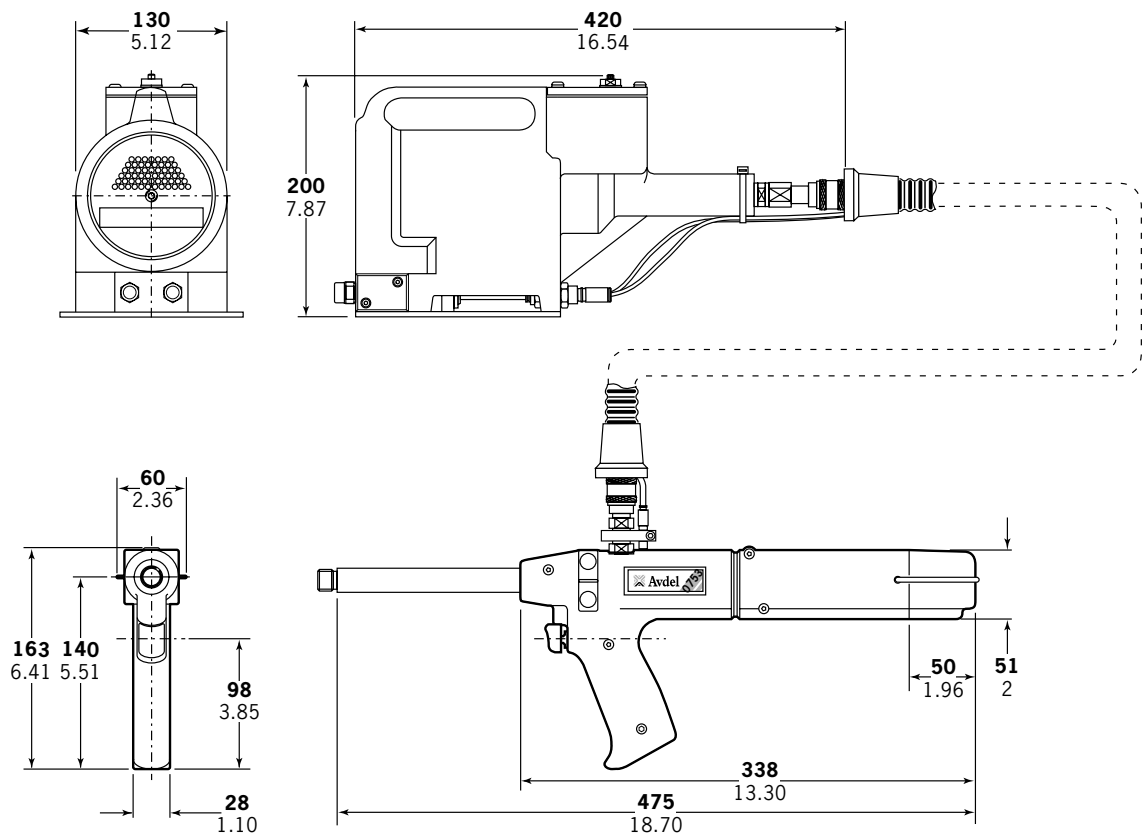
## Dimensions de L'outil - Modele 07530 Mk II

Référence 07530-02100



## Dimensions de L'outil - Modele 07532 MkII Model

Référence 07532-02100



Les dimensions indiquées en caractères **gras** sont en millimètres.

# Mise en Service

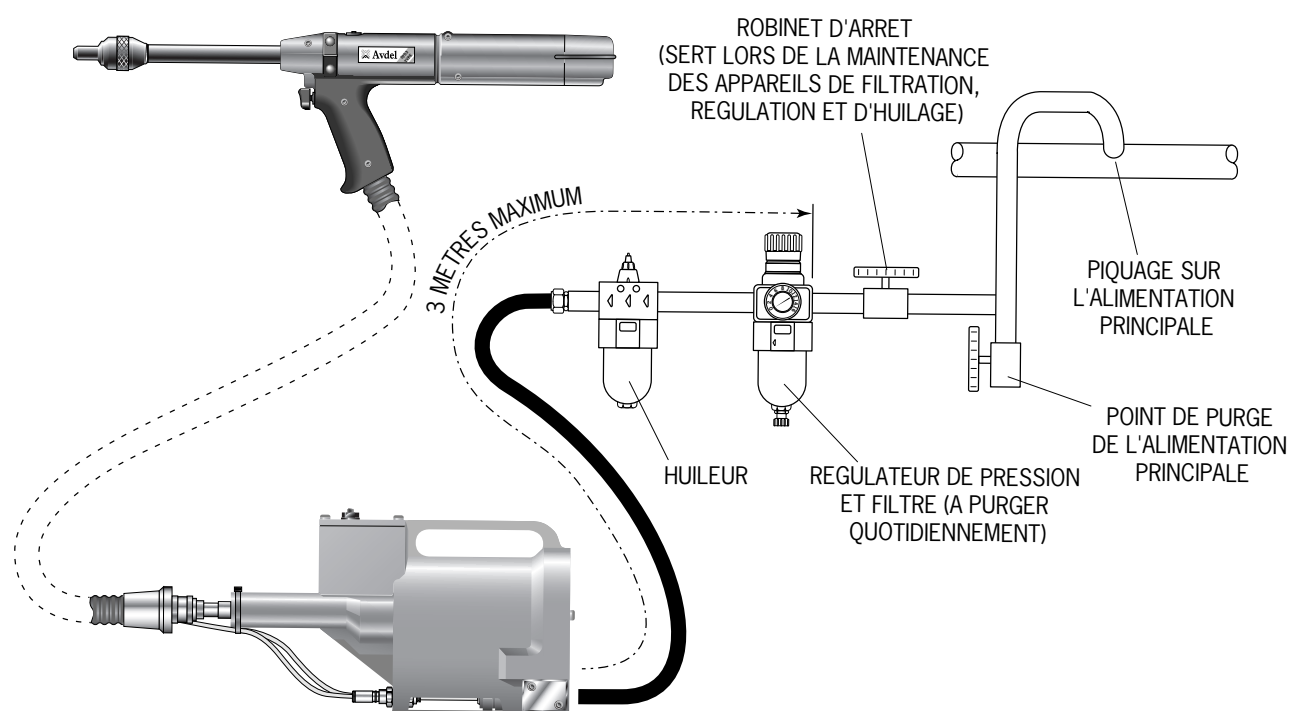
## Alimentation Pneumatique

---

Tous les outils sont actionnés à l'air comprimé, à la pression optimale de 5,5 bars. Nous recommandons l'utilisation de régulateurs de pression et de dispositifs automatiques de filtration et d'huilage sur le circuit d'alimentation pneumatique. Pour obtenir une longévité maximum de l'outil avec une maintenance minimum, ces dispositifs doivent être installés à 3 mètres au maximum de l'outil (voir schéma ci-dessous).

Les flexibles d'alimentation en air doivent avoir une résistance nominale en pression égale à au moins 150 % de la pression maximum produite par le système, ou à 10 bars, minimum. Ces flexibles doivent résister à l'huile, avoir une paroi extérieure résistant à l'abrasion, et ils doivent être armés si les conditions d'utilisation présentent un risque de détérioration. Tous les flexibles d'air DOIVENT IMPERATIVEMENT avoir un diamètre intérieur minimum de 6,4 millimètres.

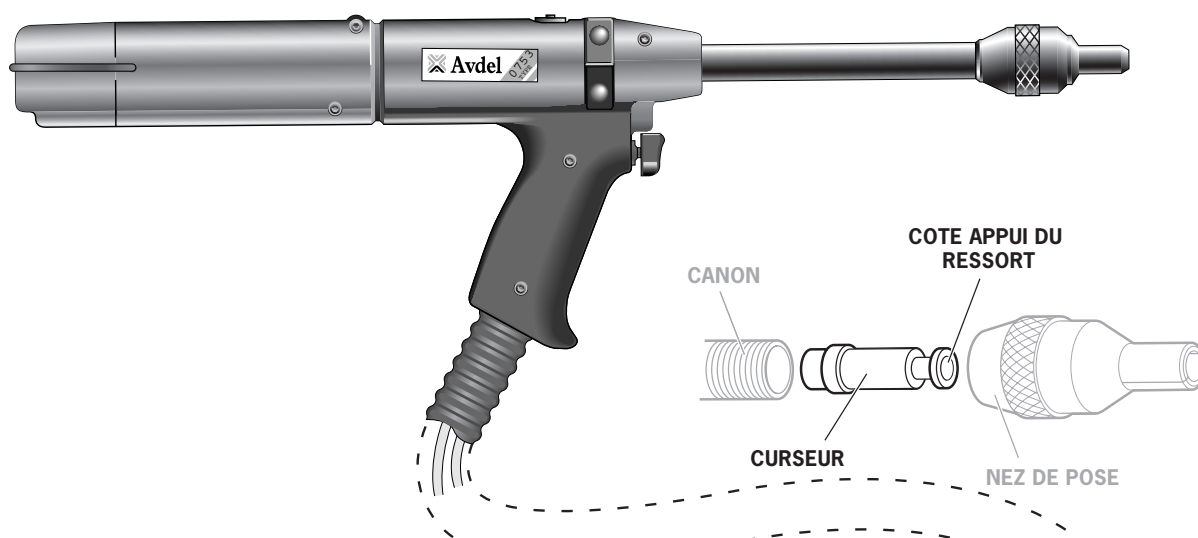
Lire le détail des opérations d'entretien quotidien, page 60.



Pour raccorder l'outil à l'intensificateur et à l'alimentation pneumatique, suivre les étapes ci-dessous :

- Pousser l'extrémité du gros flexible hydraulique de l'outil dans le raccord rapide monté à l'extrémité de l'intensificateur.
- Sur la face avant de l'intensificateur :
  - Pousser la conduite pneumatique bleue (DE 4 mm) dans le raccord de réducteur monté sur le raccord traversant gauche.
  - Pousser la conduite pneumatique noire (DE 4 mm) dans la collerette en plastique du raccord traversant droit.
- Monter un flexible pneumatique entre le raccord mâle monté à l'arrière de l'intensificateur et l'alimentation pneumatique principale.

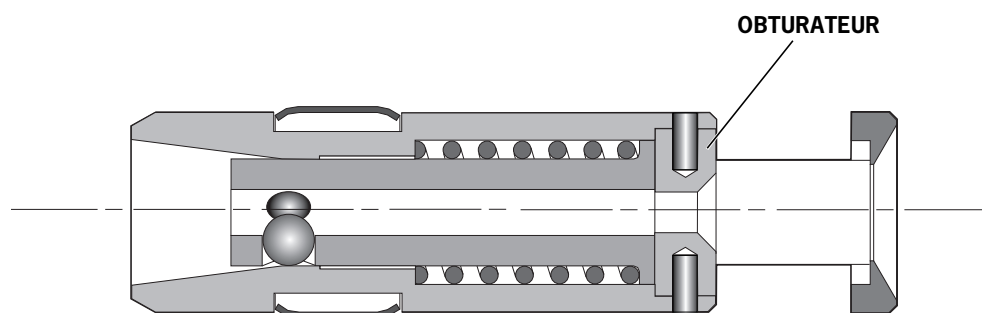
## Curseur Mecanique



Il existe trois types de curseurs mécaniques différents, adaptés aux diverses références :

- 07271-01100 Utilisé pour les aiguilles standards et jetables 5/32"
- 07279-05843 les aiguilles jetables 1/8"
- 07279-05845 les aiguilles jetables 3/16"

La différence entre les ensembles ci-dessus correspond au diamètre interne de l'obturateur.



Ces éléments sont codés couleur, comme suit :

REF. PIECE DE CURSEUR MECANIQUE.	REF. PIECE OBTURATEUR	COLORIS	DIAMETRE DU TROU (en mm)
07271-01100	07150-00402	ACIER	2.7
07279-05843	07159-05844	OR	2.2
07279-05845	07159-05846	ARGENT	3.3

# Mise en Service

## Curseur Mécanique

### IMPORTANT

**S'il n'est pas correctement monté, le curseur mécanique ne permet pas l'alimentation en fixations.**

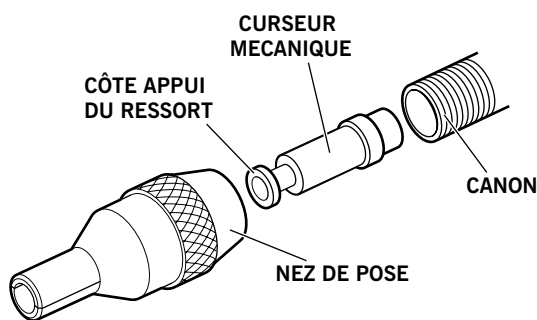
Bien que le curseur mécanique soit monté dans le bon sens à la livraison de l'outil, nous recommandons de vérifier son orientation avant de monter l'équipement de pose. Le côté légèrement concave, portant le ressort, du curseur mécanique doit être orienté vers l'avant de l'outil, comme indiqué sur l'illustration ci-dessous.

Lorsqu'il est monté dans le bon sens, le curseur mécanique sort facilement du canon quand on introduit une aiguille dans son centre, et qu'on la retire ensuite.

Pour inverser l'orientation du curseur mécanique, procéder de la façon suivante :

Les numéros de repère en caractères **gras** renvoient à la rubrique Assemblage général & liste de pièces de l'outil 07530-02200 Mk II des pages 66-67. Pour le type 07532-02200 Mk II, la procédure est identique mais les références des pièces doivent être prélevées de la rubrique Assemblage général et liste de pièces des pages 68-69.

- Retirer le clip **47** et faire coulisser l'obturateur **38** pour le retirer.
- A l'aide d'une clé Allen, retirer une des vis à tête cylindrique **44**, en veillant à bien purger l'air. Retirer l'autre vis à tête cylindrique **44**.
- Faire sortir l'obturateur arrière **46**.
- Extraire l'ensemble piston des mâchoires d'aiguille **14** avec les mâchoires **9**.
- Dégager le ressort **13** et le carter porte-mâchoires **8**.
- Introduire une aiguille dans le trou situé à l'arrière du canon **25** jusqu'à ce qu'elle dépasse à travers l'avant du canon, puis extraire ensemble l'aiguille et le curseur mécanique par l'avant.
- Remonter les composants dans l'ordre inverse du démontage.
- Introduire l'ensemble Curseur mécanique **5** par l'avant du canon et dans le bon sens.



## Chargement et Rechargement de L'outil

### IMPORTANT

**Le chargement de l'outil et le montage de l'équipement de pose sur l'outil ne sont qu'une même opération.**

Lors de la commande d'un outil complet, la livraison comprend en principe l'équipement de pose correspondant au type de fixation à poser. Pour identifier les composants de l'équipement de pose et sélectionner les bons éléments, consulter la rubrique équipements de pose, pages 51-59.

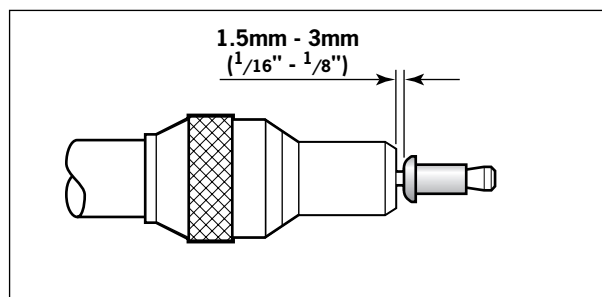
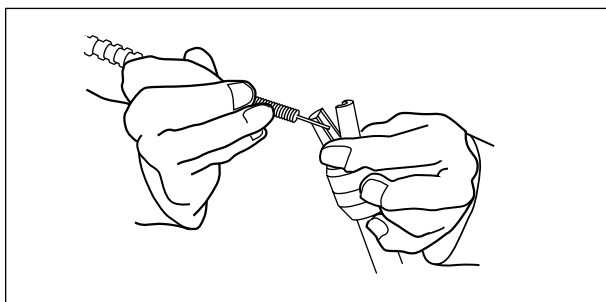
Si le matériel livré comprend un nez de pose, des aiguilles et des ressorts d'aiguille, passer au chargement de l'outil et au montage de l'équipement de pose en suivant les étapes de la page suivante.

Les numéros de repère en caractères **gras** renvoient à la rubrique Assemblage général & liste de pièces de l'outil 07530-02200 Mk II des pages 66-67. Pour le type 07532-02200 Mk II, la procédure est identique mais les références des pièces doivent être prélevées de la rubrique Assemblage général et liste de pièces des pages 68-69.



## Chargement de l'outil

- Raccorder l'outil à l'alimentation pneumatique.
  - Ouvrir les mâchoires d'aiguille **9** en prise sur l'aiguille en coupant l'interrupteur de serrage mâchoires (repères 26 et 30).
  - Visser le nez de pose sélectionné sur le canon **25** de l'outil.
- n Introduire une aiguille du côté tige des fixations, à travers le chargeur carton.
- Faire coulisser le ressort d'aiguille sur l'aiguille en vérifiant sa bonne orientation, comme indiqué sur le tableau de la page 50.
  - En tenant le côté tige de l'aiguille, arracher le chargeur carton qui entoure les fixations.
  - Ouvrir le nez de pose soit en faisant tourner la bague extérieure des mâchoires actionnées par came, soit en poussant vers l'extérieur sur l'extrémité des mâchoires, de la façon illustrée ci-dessous à gauche.
  - Introduire dans le nez de pose l'ensemble aiguille, ressort et fixations préalablement réalisé jusqu'à ce que la première fixation à poser dépasse du nez de pose.
  - Fermer le nez de pose et régler de telle sorte que la première fixation dépasse de 1,5 à 3 mm, de la façon illustrée ci-dessous à droite.
  - Fermer les mâchoires d'aiguille pour bien assurer le blocage de l'aiguille, en actionnant l'interrupteur de serrage mâchoire (repères **26** et **30**).



## Rechargement de l'outil

- Ouvrir les mâchoires d'aiguille 9 de l'outil.
- Ouvrir le nez de pose et extraire de l'outil l'aiguille vide et le ressort.
- Recharger l'outil en suivant les instructions ci-dessus, en partant de l'étape n.

## Procédure d'utilisation

### IMPORTANT

**Il est essentiel de vérifier que l'orientation du curseur mécanique et de l'équipement de pose est correcte avant toute utilisation de l'outil.**

- Pousser la fixation dépassant du nez de pose à fond dans le trou de l'application, en maintenant l'outil bien d'équerre.
- Actionner la gâchette et la maintenir enfoncée. Le cône d'aiguille est tiré à travers la fixation, ce qui provoque le formage de la fixation dans l'application.
- Enlever l'outil.
- Relâcher la gâchette. La fixation suivante se présente automatiquement dans le nez de pose, prête à la pose.

Les numéros de repère en caractères **gras** renvoient à la rubrique Assemblage général & liste de pièces de l'outil 07530-02200 Mk II des pages 66-67. Pour le type 07532-02200 Mk II, la procédure est identique mais les références des pièces doivent être prélevées de la rubrique Assemblage général et liste de pièces des pages 68-69.

# Mise en Service

IDENTIFICATION ET ORIENTATION DES RESSORTS D'AIGUILLE				
FIXATION		NEZ DE POSE (VOIR LA RUBRIQUE EQUIPEMENT DE POSE)	TAILLE DE L'AIGUILLE	ENSEMBLE AIGUILLE / RESSORT / FIXATION
NOM	TAILLE			
BRIV®	3/32"	STANDARD BISEAUTE	TOUTES	
	3/32"	ACCES LIMITE ET ACCES LIMITE ACTIONNE A CAME	TOUTES	
	1/8"	TOUS	TOUTES	
	5/32"	TOUS	TOUTES	
	3/16"	TOUS	TOUTES	
	6 mm	STANDARD	TOUTES, SAUF 3E SURDIMENSIONNEE	
CHOBERT® AVLUG® GROVIT®	3/32"	TOUS, SAUF STANDARD BISEAUTE, ACCES LIMITE	TOUTES	
	3/32"	STANDARD BISEAUTE, ACCES LIMITE	TOUTES	
	1/8"	TOUS	TOUTES	
CHOBERT® GROVIT®	5/32"	TOUS	TOUTES, SAUF 3E SURDIMENSIONNEE	
	5/32"	TOUS	3E SURDIMENSIONNEE	
	3/16"	TOUS	TOUTES, SAUF 2E SURDIMENSIONNEE	
	3/16"	TOUS	2E SURDIMENSIONNEE	
CHOBERT®	1/4"	TOUS	TOUTES	
RIVSCREW®	2.8 mm	TOUS	TOUTES	
	3 mm			
	3.5 mm			
	4 mm			
AVSERT®	2.5 mm	TOUS	TOUTES	
	4 x 40 UNC			
	3 mm			
AVTRONIC®	6 x 32 UNC	TOUS	TOUTES	
	2.5 mm	TOUS	TOUTES	
	2.8 mm	TOUS, SAUF ACCES LIMITE	TOUTES	
	2.8 mm	ACCES LIMITE	TOUTES	

Sur les outils de rivetage rapide tels que le type 0753 Mk II, l'équipement de pose est toujours constitué de trois éléments : un nez de pose, une aiguille et un ressort. Ces trois éléments sont accordés à la fixation posée, et à la taille du trou de l'application.

**I M P O R T A N T**

**Pour éviter d'avoir à démonter complètement l'outil, vérifier l'orientation du curseur avant de monter l'équipement de pose sur l'outil. Voir la partie "Curseur mécanique" page 47.**

**Il est nécessaire de monter le bon équipement de pose sur l'outil afin d'assurer à la fois une pose correcte des fixations et la sEcuritE du fonctionnement de l'outil. Lire soigneusement les instructions de sEcuritE de la page 42.**

Pour identifier la bonne combinaison d'équipement de pose à monter sur l'outil, choisir d'abord un nez de pose selon les instructions de la rubrique ci-dessous, puis consulter la rubrique aiguille pour sélectionner aussi bien l'aiguille elle-même que son ressort. Les aiguilles et les ressorts sont illustrés page 50.

Pour monter l'équipement de pose, suivre la procédure "Chargement de l'outil" page 49.

**Nez de pose****I M P O R T A N T**

**Une erreur dans le choix du nez de pose peut avoir pour effet un mauvais placement ou un mauvais serrage de la fixation.**

Les nez de pose se répartissent en 7 formes de base, représentées page opposée, dont les dimensions intérieures varient en fonction de la fixation pour laquelle ils sont prévus. Les dimensions exactes correspondant aux lettres de l'illustration de la page opposée sont indiquées dans les "Tableaux de sélection des nez de pose" des pages 53-54.

Pour une forme donnée, il peut exister plusieurs options de forme d'embout, chacune présentant certains avantages facilitant la pose des fixations.

**Plat**

- Forme d'extrémité normale de tous les nez de pose.
- Convient à toutes les applications sans contraintes d'accès.

**Universel**

- Conçue pour être utilisée avec les fixations Chobert® à tête universelle.
- Peut également être employée avec les fixations Briv® pour obtenir le serrage le plus fort possible. Noter que cela diminue la plage de serrage de la fixation Briv® d'environ 0,4 mm.

**En Retrait**

- Utilisable seulement avec les fixations Briv®.
- Donne un plus fort serrage que la forme plate, mais moindre que celui de la forme universelle, sans réduction de la plage de serrage de la fixation.

**Biseauté**

- Disponible dans les versions indiquées dans les tableaux de choix des nez de pose.
- Permet une meilleure accessibilité qu'une forme plate, et avec la même plage de serrage.

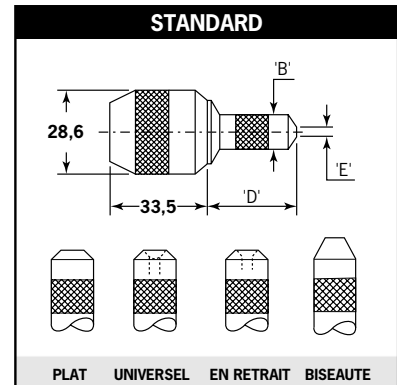
**A Formage de Tête**

- Utilisable seulement avec les fixations Rivscrew®.
- Déforme la tête des fixations pour donner un bon serrage.

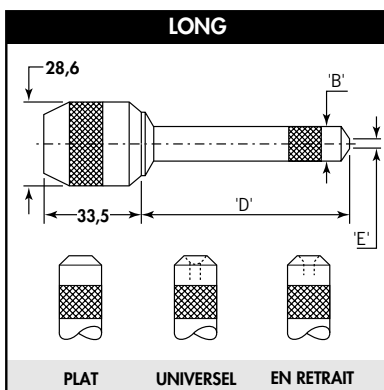
# Ensembles de nez

## Selection d'un nez de pose

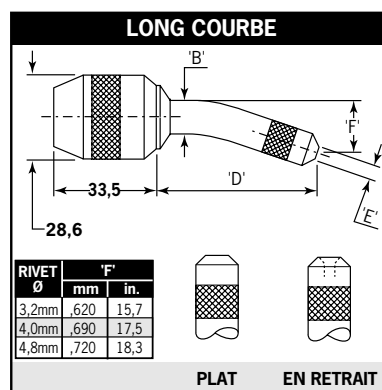
- Relever le nom, la taille et le matériau de la fixation à poser.
- Rechercher cette fixation dans la première colonne des tableaux de sélection des nez de pose de la page 53, dans le cas des mesures anglaises, et de la page 54 dans le cas des mesures métriques.
- Dans la dernière colonne du tableau, noter les nez de pose disponibles. Seuls ceux qui sont indiqués existent.
- Sélectionner celui qui convient le mieux à l'application en se référant au plan du nez de pose concerné. Si l'application ne comporte pas de contraintes d'accès, retenir de préférence la forme standard à embout plat, avec ou sans came.



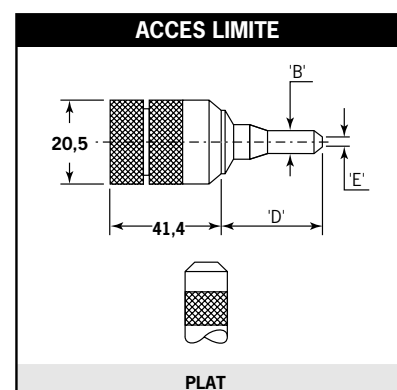
Existe en quatre formes d'embout différentes. Permet de poser toutes les fixations (sauf Rivscrew) sur les applications ne présentant que peu ou pas de contraintes d'accès.



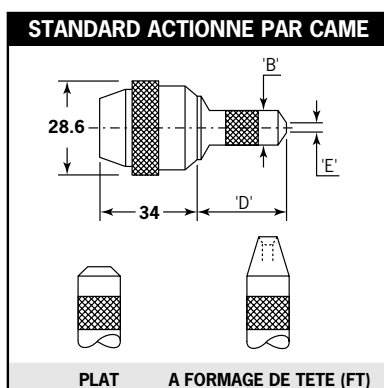
Existe pour la pose de la plupart des fixations. Permet une pénétration supérieure dans les applications sans autres contraintes d'accès.



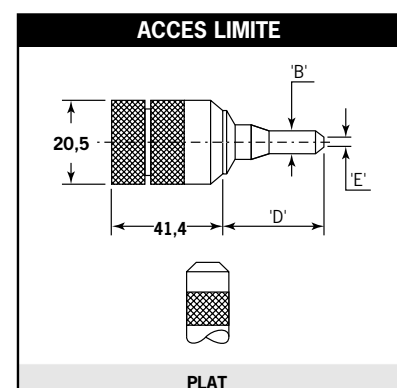
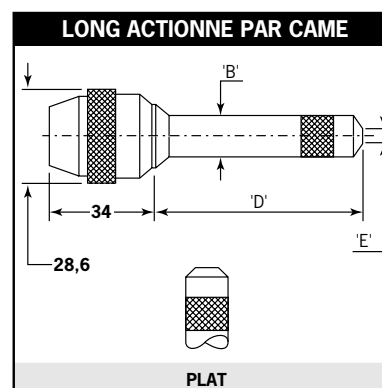
Disponible dans les versions indiquées dans LE TABLEAU DE SELECTION DES NEZ DE POSE. Permet une pénétration supérieure dans les applications à accès limité. Les aiguilles doivent être courbées à la main pour suivre la courbure de la mâchoire.



Disponible dans les versions indiquées dans LE TABLEAU DE SELECTION DES NEZ DE POSE. Permet d'accéder à des applications à accès très limité.



Disponibles dans les versions indiquées dans LE TABLEAU DE SELECTION DES NEZ DE POSE, page suivante. Fonctions équivalentes à celles des versions standard et accès limité ci-dessus, avec, en plus, une came facilitant et accélérant l'ouverture du nez de pose, et donc le rechargement en fixations.



Les dimensions indiquées en caractères **gras** sont en millimètres.

### Selection des nez de pose - Mesures anglo-saxonnes

La colonne "N° de référence" établit la correspondance avec les colonnes du même nom de la partie aiguilles. Elle identifie à la fois l'aiguille et le ressort nécessaires pour un nez de pose donné et une fixation particulière.

FIXATION	Repère	NEZ DE POSE				Repère	NEZ DE POSE					
		TYPE ET FORME D'EMBOUT	No. DE REFERENCE	DIMENSIONS			TYPE ET FORME D'EMBOUT	No. DE REFERENCE	DIMENSIONS			
				'B'	'D'	'E'				'B'	'D'	'E'
3/32" CHOBERT® & GROVIT	1	STANDARD - PLAT	07150-03003	,36	1,30	,16	1	# STANDARD - UNIVERSEL	07150-03203	,36	1,33	,24
	1	STANDARD - ACTIONNE PAR CAME - PLAT	07170-04500	,36	1,30	,16	1	ACCES LIMITE - ACTIONNE PAR CAME	07177-03003	,20	1,18	,16
	2	STANDARD - BISEAUTE	07170-03103	,36	1,30	,16	3	ACCES LIMITE	07274-01000	,22	1,07	,16
	4	LONG - PLAT	07150-04003	,41	2,30	,16	4	LONG - COURBE - PLAT	07150-05003	,41	2,28	,16
1/8" CHOBERT® & GROVIT	5	STANDARD - PLAT	07150-03004	,41	1,18	,20	5	# STANDARD - UNIVERSEL	07150-03204	,41	1,22	,32
	5	STANDARD - BISEAUTE	07170-03104	,41	1,19	,20	5	STANDARD - ACTIONNE PAR CAME - PLAT	07170-04600	,41	1,18	,20
	6	LONG - PLAT	07150-04004	,41	2,18	,20	6	# LONG - UNIVERSEL	07150-04204	,41	2,22	,30
	6	LONG - COURBE - PLAT	07150-05004	,41	2,12	,20	6	LONG - ACTIONNE PAR CAME - PLAT	07170-05000	,41	2,18	,20
5/32" CHOBERT® & GROVIT	7	STANDARD - PLAT	07150-03005	,48	1,30	,24	7	# STANDARD - UNIVERSEL	07150-03205	,48	1,35	,41
	7	STANDARD - BISEAUTE	07150-03105	,44	1,30	,24	7	STANDARD - ACTIONNE PAR CAME - PLAT	07170-04700	,48	1,30	,24
	8	LONG - PLAT	07150-04005	,48	2,30	,24	8	# LONG - UNIVERSEL	07150-04205	,48	2,35	,42
	8	LONG - COURBE - PLAT	07150-05005	,48	2,23	,24	8	LONG - ACTIONNE PAR CAME - PLAT	07170-05100	,48	2,30	,24
3/16" CHOBERT® & GROVIT	9	STANDARD - PLAT	07150-03006	,56	1,18	,33	9	# STANDARD - UNIVERSEL	07150-03206	,56	1,24	,47
	9	STANDARD - BISEAUTE	07150-03106	,56	1,18	,33	9	STANDARD - ACTIONNE PAR CAME - PLAT	07170-04800	,56	1,18	,33
	10	LONG - PLAT	07150-04006	,56	2,30	,33	10	# LONG - UNIVERSEL	07150-04206	,56	2,39	,48
	10	LONG - COURBE - PLAT	07150-05006	,56	2,21	,33	10	LONG - ACTIONNE PAR CAME - PLAT	07170-05200	,56	2,30	,33
1/4" CHOBERT®	11	STANDARD - PLAT	07150-03008	,64	1,18	,39	11	STANDARD - ACTIONNE PAR CAME - PLAT	07170-04900	,64	1,18	,39
	12	LONG - PLAT	07150-04008	,64	2,18	,39	12	LONG - ACTIONNE PAR CAME - PLAT	07170-05300	,64	2,18	,39
2,4mm BRIV® LAITON SEULEMENT	13	STANDARD - BISEAUTE	07170-03103	,36	1,30	,15	14	ACCES LIMITE - ACTIONNE PAR CAME	07177-03003	,20	1,18	,16
	14	ACCES LIMITE	07274-01000	,22	1,07	,16	-	-	-	-	-	-
3,2mm BRIV® ALLIAGE D'ALUMINIUM, LAITON, ACIER	15	STANDARD - PLAT	07150-03004	,41	1,18	,20	15	STANDARD - EN RETRAIT	07170-03004	,41	1,20	,30
	15	STANDARD - BISEAUTE	07170-03104	,41	1,19	,20	16	LONG - PLAT	07150-04004	,41	2,18	,20
	16	LONG - EN RETRAIT	07170-03204	,41	2,18	,30	16	LONG - COURBE - PLAT	07150-05004	,41	2,12	,20
	16	LONG - COURBE - EN RETRAIT	07170-03304	,41	2,12	,30	-	-	-	-	-	-
4,0mm BRIV® ALLIAGE D'ALUMINIUM, LAITON, ACIER	17	STANDARD - PLAT	07150-03005	,48	1,30	,24	17	STANDARD - EN RETRAIT	07170-03005	,48	1,32	,41
	18	LONG - PLAT	07150-04005	,48	2,30	,24	18	LONG - EN RETRAIT	07170-03205	,48	2,30	,41
	18	LONG - COURBE - PLAT	07150-05005	,48	2,23	,24	18	LONG - COURBE - EN RETRAIT	07170-03305	,48	2,23	,41
4,0mm BRIV® ACIER INOXYDABLE SEULEMENT	19	STANDARD - PLAT	07150-03005	,48	1,30	,24	19	STANDARD - EN RETRAIT	07170-03005	,48	1,32	,41
	20	LONG - PLAT	07150-04005	,48	2,30	,24	20	LONG - EN RETRAIT	07170-03205	,48	2,30	,41
	20	LONG - COURBE - PLAT	07150-05005	,48	2,23	,24	20	LONG - COURBE - EN RETRAIT	07170-03305	,48	2,23	,41
4,8mm BRIV® ALLIAGE D'ALUMINIUM, LAITON, ACIER	21	STANDARD - PLAT	07150-03006	,56	1,18	,33	21	STANDARD - EN RETRAIT	07170-03006	,56	1,20	,47
	22	LONG - PLAT	07150-04006	,56	2,30	,33	22	LONG - EN RETRAIT	07170-03206	,56	2,30	,47
	22	LONG - COURBE - PLAT	07150-05006	,56	2,21	,33	22	LONG - COURBE - EN RETRAIT	07170-03306	,56	2,21	,47
4,8mm BRIV® ACIER INOXYDABLE SEULEMENT	23	STANDARD - PLAT	07150-03006	,56	1,18	,33	23	STANDARD - EN RETRAIT	07170-03006	,56	1,20	,47
	24	LONG - PLAT	07150-04006	,56	2,30	,33	24	LONG - EN RETRAIT	07170-03206	,56	2,30	,47
	24	LONG - COURBE - PLAT	07150-05006	,56	2,21	,33	24	LONG - COURBE - EN RETRAIT	07170-03306	,56	2,21	,47
6mm BRIV® ALLIAGE D'ALUMINIUM, ACIER	25	STANDARD - ACTIONNE PAR CAME	07170-05600	,64	1,21	,52	25	STANDARD - PLAT	07170-05800	,64	1,21	,52
	26	LONG - ACTIONNE PAR CAME	07170-05700	,64	2,19	,52	26	LONG - PLAT	07170-05900	,64	2,19	,52
3/32" AVLUG®	27	STANDARD - PLAT	07150-03003	,36	1,30	,16	27	STANDARD - BISEAUTE	07150-03103	,36	1,30	,16
	27	STANDARD - ACTIONNE PAR CAME - PLAT	07170-04500	,36	1,30	,16	28	LONG - PLAT	07150-04003	,41	2,30	,16
	28	LONG - COURBE - PLAT	07150-05003	,41	2,28	,16	-	-	-	-	-	-
1/8" AVLUG®	29	STANDARD - PLAT	07150-03004	,41	1,18	,20	29	STANDARD - BISEAUTE	07170-03104	,41	1,19	,20
	29	STANDARD - ACTIONNE PAR CAME - PLAT	07170-04600	,41	1,18	,20	30	LONG - PLAT	07150-04004	,41	2,18	,20
	30	LONG - COURBE - PLAT	07150-05004	,41	2,12	,20	30	LONG - ACTIONNE PAR CAME - PLAT	07170-05000	,41	2,18	,20
2,5mm 4-40 UNC AVSERT®	31	STANDARD - PLAT	07150-03003	,36	1,30	,16	-	-	-	-	-	-
3,0mm 6-32 UNC AVSERT®	32	STANDARD - PLAT	07150-03004	,41	1,18	,20	32	STANDARD - ACTIONNE PAR CAME - PLAT	07170-04600	,41	1,18	,20
2,5mm AVTRONIC®	33	STANDARD - PLAT	07150-03003	,36	1,30	,16	33	ACCES LIMITE - ACTIONNE PAR CAME	07271-08000	,41	1,18	,16
	34	LONG - PLAT	07150-04003	,41	2,30	,16	-	-	-	-	-	-
2,8mm AVTRONIC®	35	STANDARD - PLAT	07271-05600	,36	1,30	,16	36	ACCES LIMITE - ACTIONNE PAR CAME	07271-08100	,40	1,18	,16
	37	LONG - PLAT	07271-05900	,41	2,30	,16	-	-	-	-	-	-
2,8mm RIVSCREW®	38	STANDARD - ACTIONNE PAR CAME - FT	07271-03000	,41	1,18	,24	-	-	-	-	-	-
3,0mm RIVSCREW®	39	STANDARD - ACTIONNE PAR CAME - FT	07271-03000	,41	1,18	,24	-	-	-	-	-	-
3,5mm RIVSCREW®	40	STANDARD - ACTIONNE PAR CAME - FT	07271-03500	,41	1,18	,24	-	-	-	-	-	-
4,0mm RIVSCREW®	41	STANDARD - ACTIONNE PAR CAME - FT	07271-04000	,41	1,18	,25	-	-	-	-	-	-

# Ces nez de pose conviennent à la pose des rivets Chobert® à forme de tête universelle. Lorsqu'ils sont utilisés avec la taille équivalente de Briv®, ils permettent d'obtenir le plus fort serrage possible. Noter que lors de la pose de fixations Briv®, la prise maximum se trouve réduite d'environ 0,4 mm.

# Ensembles de nez

## Selection des nez de pose - Metrique

FIXATION	Repère	NEZ DE POSE					Repère	NEZ DE POSE				
		TYPE ET FORME D'EMBOUT	No. DE REFERENCE	DIMENSIONS				TYPE ET FORME D'EMBOUT	No. DE REFERENCE	DIMENSIONS		
				'B'	'D'	'E'				'B'	'D'	'E'
2,4 mm CHOBERT® & GROV®	1	STANDARD - PLAT	07150-03003	9,14	33,02	4,06	1	# STANDARD - UNIVERSEL	07150-03203	9,14	33,78	6,10
	1	STANDARD - ACTIONNE PAR CAME - PLAT	07170-04500	9,14	33,02	4,06	1	ACCES LIMITE - ACTIONNE PAR CAME	07177-03003	5,08	29,97	4,06
	2	STANDARD - BISEAUTE	07170-03103	9,14	33,02	4,06	3	ACCES LIMITE	07274-01000	5,59	27,18	4,06
	4	LONG - PLAT	07150-04003	10,41	58,42	4,06	4	LONG - COURBE - PLAT	07150-05003	10,41	57,91	4,06
3,2 mm CHOBERT® & GROV®	5	STANDARD - PLAT	07150-03004	10,41	29,97	5,08	5	# STANDARD - UNIVERSEL	07150-03204	10,41	30,99	8,13
	5	STANDARD - BISEAUTE	07170-03104	10,41	30,23	5,08	5	STANDARD - ACTIONNE PAR CAME - PLAT	07170-04600	10,41	29,97	5,08
	6	LONG - PLAT	07150-04004	10,41	55,37	5,08	6	# LONG - UNIVERSEL	07150-04204	10,41	56,39	7,62
	6	LONG - COURBE - PLAT	07150-05004	10,41	53,85	5,08	6	LONG - ACTIONNE PAR CAME - PLAT	07170-05000	10,41	55,37	5,08
4,0 mm CHOBERT® & GROV®	7	STANDARD - PLAT	07150-03005	12,19	33,02	6,10	7	# STANDARD - UNIVERSEL	07150-03205	12,19	34,29	10,41
	7	STANDARD - BISEAUTE	07150-03105	11,18	33,02	6,10	7	STANDARD - ACTIONNE PAR CAME - PLAT	07170-04700	12,19	33,02	6,10
	8	LONG - PLAT	07150-04005	12,19	58,42	6,10	8	# LONG - UNIVERSEL	07150-04205	12,19	59,69	10,67
	8	LONG - COURBE - PLAT	07150-05005	12,19	56,64	6,10	8	LONG - ACTIONNE PAR CAME - PLAT	07170-05100	12,19	58,42	6,10
4,8 mm CHOBERT® & GROV®	9	STANDARD - PLAT	07150-03006	14,22	29,97	8,38	9	# STANDARD - UNIVERSEL	07150-03206	14,22	31,50	11,94
	9	STANDARD - BISEAUTE	07150-03106	14,22	29,97	8,38	9	STANDARD - ACTIONNE PAR CAME - PLAT	07170-04800	14,22	29,97	8,38
	10	LONG - PLAT	07150-04006	14,22	58,42	8,38	10	# LONG - UNIVERSEL	07150-04206	14,22	60,71	12,19
	10	LONG - COURBE - PLAT	07150-05006	14,22	56,13	8,38	10	LONG - ACTIONNE PAR CAME - PLAT	07170-05200	14,22	58,42	8,38
6,4 mm CHOBERT®	11	STANDARD - PLAT	07150-03008	16,26	29,97	9,91	11	STANDARD - ACTIONNE PAR CAME - PLAT	07170-04900	16,26	29,97	9,91
	12	LONG - PLAT	07150-04008	16,26	55,37	9,91	12	LONG - ACTIONNE PAR CAME - PLAT	07170-05300	16,26	55,37	9,91
2,4mm BRIV® LAITON SEULEMENT	13	STANDARD - BISEAUTE	07170-03103	9,14	33,02	3,81	14	ACCES LIMITE - ACTIONNE PAR CAME	07177-03003	5,08	29,97	4,06
	14	ACCES LIMITE	07274-01000	5,59	27,18	4,06	-	-	-	-	-	-
3,2mm BRIV® ALLIAGE D'ALUMINIUM, LAITON, ACIER	15	STANDARD - PLAT	07150-03004	10,41	29,97	5,08	15	STANDARD - EN RETRAIT	07170-03004	10,41	30,48	7,62
	15	STANDARD - BISEAUTE	07170-03104	10,41	30,23	5,08	16	LONG - PLAT	07150-04004	10,41	55,37	5,08
	16	LONG - EN RETRAIT	07170-03204	10,41	55,37	7,62	16	LONG - COURBE - PLAT	07150-05004	10,41	53,85	5,08
	16	LONG - COURBE - EN RETRAIT	07170-03304	10,41	53,85	7,62	-	-	-	-	-	-
4,0mm BRIV® ALLIAGE D'ALUMINIUM, LAITON, ACIER	17	STANDARD - PLAT	07150-03005	12,19	33,02	6,10	17	STANDARD - EN RETRAIT	07170-03005	12,19	33,53	10,41
	18	LONG - PLAT	07150-04005	12,19	58,42	6,10	18	LONG - EN RETRAIT	07170-03205	12,19	58,42	10,41
	18	LONG - COURBE - PLAT	07150-05005	12,19	56,64	6,10	18	LONG - COURBE - EN RETRAIT	07170-03305	12,19	56,64	10,41
4,0mm BRIV® ACIER INOXYDABLE SEULEMENT	19	STANDARD - PLAT	07150-03005	12,19	33,02	6,10	19	STANDARD - EN RETRAIT	07170-03005	12,19	33,53	10,41
	20	LONG - PLAT	07150-04005	12,19	58,42	6,10	20	LONG - EN RETRAIT	07170-03205	12,19	58,42	10,41
	20	LONG - COURBE - PLAT	07150-05005	12,19	56,64	6,10	20	LONG - COURBE - EN RETRAIT	07170-03305	12,19	56,64	10,41
4,8mm BRIV® ALLIAGE D'ALUMINIUM, LAITON, ACIER	21	STANDARD - PLAT	07150-03006	14,22	29,97	8,38	21	STANDARD - EN RETRAIT	07170-03006	14,22	30,48	11,94
	22	LONG - PLAT	07150-04006	14,22	58,42	8,38	22	LONG - EN RETRAIT	07170-03206	14,22	58,42	11,94
	22	LONG - COURBE - PLAT	07150-05006	14,22	56,13	8,38	22	LONG - COURBE - EN RETRAIT	07170-03306	14,22	56,13	11,94
4,8mm BRIV® ACIER INOXYDABLE SEULEMENT	23	STANDARD - PLAT	07150-03006	14,22	29,97	8,38	23	STANDARD - EN RETRAIT	07170-03006	14,22	30,48	11,94
	24	LONG - PLAT	07150-04006	14,22	58,42	8,38	24	LONG - EN RETRAIT	07170-03206	14,22	58,42	11,94
	24	LONG - COURBE - PLAT	07150-05006	14,22	56,13	8,38	24	LONG - COURBE - EN RETRAIT	07170-03306	14,22	56,13	11,94
6mm BRIV® ALLIAGE D'ALUMINIUM, ACIER	25	STANDARD - ACTIONNE PAR CAME	07170-05600	16,33	30,65	13,14	25	STANDARD - PLAT	07170-05800	16,33	30,65	13,14
	26	LONG - ACTIONNE PAR CAME	07170-05700	16,33	55,65	13,14	26	LONG - PLAT	07170-05900	16,33	55,65	13,14
2,4 mm AVLUG®	27	STANDARD - PLAT	07150-03003	9,14	33,02	4,06	27	STANDARD - BISEAUTE	07150-03103	9,14	33,02	4,06
	27	STANDARD - ACTIONNE PAR CAME - PLAT	07170-04500	9,14	33,02	4,06	28	LONG - PLAT	07150-04003	10,41	58,42	4,06
	28	LONG - COURBE - PLAT	07150-05003	10,41	57,91	4,06	-	-	-	-	-	-
3,2 mm AVLUG®	29	STANDARD - PLAT	07150-03004	10,41	29,97	5,08	29	STANDARD - BISEAUTE	07170-03104	10,41	30,23	5,08
	29	STANDARD - ACTIONNE PAR CAME - PLAT	07170-04600	10,41	29,97	5,08	30	LONG - PLAT	07150-04004	10,41	55,37	5,08
	30	LONG - COURBE - PLAT	07150-05004	10,41	53,85	5,08	30	LONG - ACTIONNE PAR CAME - PLAT	07170-05000	10,41	55,37	5,08
2,5mm - 4-40 UNC AVSERT®	31	STANDARD - PLAT	07150-03003	9,14	33,02	4,06	-	-	-	-	-	-
3,0mm - 6-32 UNC AVSERT®	32	STANDARD - PLAT	07150-03004	10,41	29,97	5,08	32	STANDARD - ACTIONNE PAR CAME - PLAT	07170-04600	10,41	29,97	5,08
2,5mm AVTRONIC®	33	STANDARD - PLAT	07150-03003	9,14	33,02	4,06	33	ACCES LIMITE - ACTIONNE PAR CAME	07271-08000	10,41	29,97	4,06
	34	LONG - PLAT	07150-04003	10,41	58,42	4,06	-	-	-	-	-	-
2,8mm AVTRONIC®	35	STANDARD - PLAT	07271-05600	9,14	33,02	4,06	36	ACCES LIMITE - ACTIONNE PAR CAME	07271-08100	10,16	29,97	4,06
	37	LONG - PLAT	07271-05900	10,41	58,42	4,06	-	-	-	-	-	-
2,8mm RIVSCREW®	38	STANDARD - ACTIONNE PAR CAME - FT	07271-03000	10,41	29,97	6,10	-	-	-	-	-	-
3,0mm RIVSCREW®	39	STANDARD - ACTIONNE PAR CAME - FT	07271-03000	10,41	29,97	6,10	-	-	-	-	-	-
3,5mm RIVSCREW®	40	STANDARD - ACTIONNE PAR CAME - FT	07271-03500	10,41	29,97	6,10	-	-	-	-	-	-
4,0mm RIVSCREW®	41	STANDARD - ACTIONNE PAR CAME - FT	07271-04000	10,41	29,97	6,35	-	-	-	-	-	-

# Ces nez de pose conviennent à la pose des rivets Chobert® à forme de tête universelle. Lorsqu'ils sont utilisés avec la taille équivalente de Briv®, ils permettent d'obtenir le plus fort serrage possible. Noter que lors de la pose de fixations Briv®, la prise maximum se trouve réduite d'environ 0,4 mm.

## Aiguilles et Ressorts d'aiguille

Les aiguilles et leurs ressorts, illustrés page 50, doivent être choisis en fonction du type et de la dimension des fixations, ainsi que de la taille du trou de l'application. L'emploi d'une aiguille inappropriée augmente le risque de rupture et d'usure du cône de l'aiguille. Des problèmes d'alimentation peuvent survenir si l'on emploie le mauvais type de ressort.

**IMPORTANT****LIRE SOIGNEUSEMENT LES INSTRUCTIONS DE SECURITE de la page 42.**

Bien qu'une usure et un marquage limités des aiguilles soient inévitables suite à leur utilisation normale et correcte, l'on veillera à les examiner régulièrement à la recherche de signes d'usure ou de marquage excessifs, en particulier au niveau du diamètre du cône et de la zone de prise des mâchoires d'aiguille ou de signes de piquage intensif du fût ou de déformation de l'aiguille. Un dysfonctionnement de l'aiguille en cours d'utilisation pourrait provoquer son éjection de l'outil. La responsabilité de veiller à ce que les aiguilles soient remplacées avant d'atteindre un niveau excessif d'usure et toujours avant le nombre maximum de poses préconisé, incombe au client. Contacter le représentant Avdel le plus proche, qui se chargera de fournir cette information en mesurant la force de mandrinage de votre application à l'aide d'un outil de test calibré. Ces outils sont également vendus sous la référence 07900-09080 et sont fournis avec toute l'information nécessaire aux tests.

**Chobert® et Grov® - Mesures anglo-saxonnes**

Pour choisir l'aiguille ou le ressort de l'aiguille, suivre les instructions de la page 57.

FIXATION	REPERE	TAILLE DU TROU	AIGUILLE STANDARD - VERTE					TAILLE DU TROU	1E AIGUILLE SURDIMENSIONNEE - JAUNE					REFERENCE DE RESSORT
			DIAMETRE DU CONE	REFERENCE DE L'AIGUILLE	P. MAXI	NUMERO DE REFERENCE DE L'AIGUILLE S/R	P. MAXI		DIAMETRE DU CONE	REFERENCE DE L'AIGUILLE	P. MAXI	NUMERO DE REFERENCE DE L'AIGUILLE S/R	P. MAXI	
3/32" CHOBERT® & GROV®	1	SEL. REC.	,0725	07150-06003	,166	07150-08003	,071	+0,015	,074	07150-06303	,174	-	-	07150-06803
	1	-	-	-	-	-	-	+0,035	,076	-	-	07150-08103	,078	07150-06803
	2	SEL. REC.	,0725	07150-06003	,166	07150-08003	,071	+0,015	,074	07150-06303	,174	-	-	07170-06873
	2	-	-	-	-	-	-	+0,035	,076	-	-	07150-08103	,078	07170-06873
	3	SEL. REC.	,0725	07150-06003	,166	07150-08003	,071	+0,015	,074	07150-06303	,174	-	-	07170-06903
1/8" CHOBERT® & GROV®	5	SEL. REC.	,088	07150-06004	,216	07150-08004	,090	+0,004	,092	07150-06104	,237	07150-08104	,098	07150-06804
	6	SEL. REC.	,088	07150-07004	,216	07150-09004	,090	+0,004	,092	07150-07104	,237	07150-09104	,098	07150-07804
5/32" CHOBERT® & GROV®	7	SEL. REC.	,107	07150-06005	,244	07150-08005	,100	+0,008	,115	07150-06105	,284	07150-08105	,116	07170-06875
	7	-	-	-	-	-	-	-	-	-	-	-	-	-
	8	SEL. REC.	,107	07150-07005	,244	07150-09005	,100	+0,008	,115	07150-07105	,284	07150-09105	,116	07170-07875
3/16" CHOBERT® & GROV®	9	SEL. REC.	,132	07150-06006	,247	07150-08006	,102	+0,014	,146	07150-06106	,320	07150-08106	,130	07170-06876
	9	-	-	-	-	-	-	-	-	-	-	-	-	-
	10	SEL. REC.	,132	07150-07006	,247	07150-09006	,102	+0,014	,146	07150-07106	,320	07150-09106	,130	07170-07876
1/4" CHOBERT®	11	SEL. REC.	,184	07150-06008	,268	07150-08008	,110	+0,012	,196	07150-06108	,330	07150-08108	,134	07150-06808
	12	SEL. REC.	,184	07150-07008	,268	07150-09008	,110	+0,012	,196	07150-07108	,330	07150-09108	,134	07150-07808

FIXATION	REPERE	TAILLE DU TROU	2E AIGUILLE SURDIMENSIONNEE - BLEUE					TAILLE DU TROU	3E AIGUILLE SURDIMENSIONNEE - ROUGE					REFERENCE DE RESSORT
			DIAMETRE DU CONE	REFERENCE DE L'AIGUILLE	P. MAXI	NUMERO DE REFERENCE DE L'AIGUILLE S/R	P. MAXI		DIAMETRE DU CONE	REFERENCE DE L'AIGUILLE	P. MAXI	NUMERO DE REFERENCE DE L'AIGUILLE S/R	P. MAXI	
3/32" CHOBERT® & GROV®	1	+0,035	,076	07150-06103	,185	-	-	-	-	-	-	-	-	07150-06803
	1	-	-	-	-	-	-	-	-	-	-	-	-	-
	2	+0,035	,076	07150-06103	,185	-	-	-	-	-	-	-	-	07170-06873
	2	-	-	-	-	-	-	-	-	-	-	-	-	-
	3	+0,035	,076	07150-06103	,185	-	-	-	-	-	-	-	-	07170-06903
1/8" CHOBERT® & GROV®	5	+0,10	,098	07150-06204	,268	07150-08204	,110	+0,014	,102	07150-06304	,288	07150-08304	,118	07150-06804
	6	+0,10	,098	07150-07204	,268	07150-09204	,110	+0,014	,102	07150-07304	,288	07150-09304	,118	07150-07804
5/32" CHOBERT® & GROV®	7	+0,15	,122	07150-06205	,320	07150-08205	,130	-	-	-	-	-	-	07170-06875
	7	-	-	-	-	-	-	+0,025	,132	07150-06305	,372	07150-08305	,150	07150-06805
	8	+0,15	,122	07150-07205	,320	07150-09205	,130	-	-	-	-	-	-	07170-07875
3/16" CHOBERT® & GROV®	9	-	-	-	-	-	-	+0,025	,132	07150-07305	,372	07150-09305	,150	07150-07805
	9	+0,24	,156	07150-06206	,372	07150-08206	,150	-	-	-	-	-	-	07150-06806
	10	-	-	-	-	-	-	-	-	-	-	-	-	-
1/4" CHOBERT®	11	+0,24	,156	07150-07206	,372	07150-09206	,150	-	-	-	-	-	-	07150-07806
	12	-	-	-	-	-	-	-	-	-	-	-	-	-

# S/R = aiguille à cône court. Voir les explications pages 57-58.



# Ensembles de nez

Les tableaux des pages gauche et droite ci-dessous, et des 4 pages suivantes, donnent la liste de toutes les aiguilles et ressorts d'aiguille disponibles par fixation ou groupe de fixations, en l'occurrence les Chobert® et Grov® sur ces pages.

Bien que les fixations soient toujours mentionnées avec leurs unités respectives, chaque tableau a été reproduit en double, de façon à présenter les dimensions en unités anglaises sur la page de gauche, puis en unités métriques sur celle de droite. Ces tableaux de sélection des aiguilles renvoient à ceux des pages 53-54, qui permettent de choisir les nez de pose, par le biais de la colonne "Repère". C'est le diamètre du cône situé à l'extrémité de l'aiguille qui détermine, lorsqu'il le traverse, la dilatation du corps de la fixation.

Bien qu'il existe différentes formes de cône convenant à différents types de fixations (voir les illustrations de la page 58), il est nécessaire de disposer de tailles de cône progressives pour tenir compte des tolérances de diamètre du trou auxquelles l'application doit répondre, de sorte que la fixation soit toujours suffisamment dilatée pour remplir le trou.

Un cône d'aiguille trop gros exerce des contraintes excessives sur l'aiguille, et une aiguille venant à casser en cours d'utilisation peut se trouver éjectée violemment de l'outil.

Les tableaux de sélection sont agencés en quatre parties de "taille d'aiguille", allant de la catégorie "standard" à la catégorie "3e surdimensionnée", chacune reconnaissable à un code de couleur porté par l'extrémité des cônes d'aiguille eux-mêmes.

## Chobert® et Grov® - Métrique

FIXATION	REPERE	TAILLE DU TROU	AIGUILLE STANDARD - VERTE					TAILLE DU TROU	1E AIGUILLE SURDIMENSIONNEE - JAUNE					REFERENCE DU RESSORT
			DIAMETRE DU CONE	REFERENCE DE L'AIGUILLE	P. MAXI	NUMERO DE REFERENCE DE L'AIGUILLE S/R	P. MAXI		DIAMETRE DU CONE	REFERENCE DE L'AIGUILLE	P. MAXI	NUMERO DE REFERENCE DE L'AIGUILLE S/R	P. MAXI	
2,4 mm CHOBERT® & GROV®	1	SEL. REC.	1,84	07150-06003	4,22	07150-08003	1,80	+0,4	1,88	07150-06303	4,42	-	-	07150-06803
	1	-	-	-	-	-	-	+0,9	1,93	-	-	07150-08103	1,98	07150-06803
	2	SEL. REC.	1,84	07150-06003	4,22	07150-08003	1,80	+0,4	1,88	07150-06303	4,42	-	-	07170-06873
	2	-	-	-	-	-	-	+0,9	1,93	-	-	07150-08103	1,98	07170-06873
	3	SEL. REC.	1,84	07150-06003	4,22	07150-08003	1,80	+0,4	1,88	07150-06303	4,42	-	-	07170-06903
	3	-	-	-	-	-	-	+0,9	1,93	-	-	07150-08103	1,98	07170-06903
3,2 mm CHOBERT® & GROV®	4	SEL. REC.	1,84	07150-07003	4,22	07150-09003	1,80	+0,9	1,93	-	-	07150-09103	1,98	07150-07803
	5	SEL. REC.	2,24	07150-06004	5,49	07150-08004	2,29	+1,0	2,34	07150-06104	6,02	07150-08104	2,49	07150-06804
4,0 mm CHOBERT® & GROV®	6	SEL. REC.	2,24	07150-07004	5,49	07150-09004	2,29	+1,0	2,34	07150-07104	6,02	07150-09104	2,49	07150-07804
	7	SEL. REC.	2,72	07150-06005	6,20	07150-08005	2,54	+2,0	2,92	07150-06105	7,21	07150-08105	2,95	07170-06875
	7	-	-	-	-	-	-	-	-	-	-	-	-	-
4,8 mm CHOBERT® & GROV®	8	SEL. REC.	2,72	07150-07005	6,20	07150-09005	2,54	+2,0	2,92	07150-07105	7,21	07150-09105	2,95	07170-07875
	8	-	-	-	-	-	-	-	-	-	-	-	-	-
	9	SEL. REC.	3,35	07150-06006	6,27	07150-08006	2,59	+3,5	3,71	07150-06106	8,13	07150-08106	3,30	07170-06876
6,4 mm CHOBERT®	9	-	-	-	-	-	-	-	-	-	-	-	-	-
	10	SEL. REC.	3,35	07150-07006	6,27	07150-09006	2,59	+3,5	3,71	07150-07106	8,13	07150-09106	3,30	07170-07876
6,4 mm CHOBERT®	10	-	-	-	-	-	-	-	-	-	-	-	-	-
	11	SEL. REC.	4,67	07150-06008	6,81	07150-08008	2,79	+3,0	4,98	07150-06108	8,38	07150-08108	3,40	07150-06808
	12	SEL. REC.	4,67	07150-07008	6,81	07150-09008	2,79	+3,0	4,98	07150-07108	8,38	07150-09108	3,40	07150-07808

FIXATION	REPERE	TAILLE DU TROU	2E AIGUILLE SURDIMENSIONNEE - BLEUE					TAILLE DU TROU	3E AIGUILLE SURDIMENSIONNEE - ROUGE					REFERENCE DU RESSORT
			DIAMETRE DU CONE	REFERENCE DE L'AIGUILLE	P. MAXI	NUMERO DE REFERENCE DE L'AIGUILLE S/R	P. MAXI		DIAMETRE DU CONE	REFERENCE DE L'AIGUILLE	P. MAXI	NUMERO DE REFERENCE DE L'AIGUILLE S/R	P. MAXI	
2,4 mm CHOBERT® & GROV®	1	+0,9	1,93	07150-06103	4,70	-	-	-	-	-	-	-	-	07150-06803
	1	-	-	-	-	-	-	-	-	-	-	-	-	-
	2	+0,9	1,93	07150-06103	4,70	-	-	-	-	-	-	-	-	07170-06873
	2	-	-	-	-	-	-	-	-	-	-	-	-	-
	3	+0,9	1,93	07150-06103	4,70	-	-	-	-	-	-	-	-	07170-06903
	3	-	-	-	-	-	-	-	-	-	-	-	-	-
3,2 mm CHOBERT® & GROV®	4	+0,9	1,93	07150-07103	4,70	-	-	-	-	-	-	-	-	07150-07803
	5	+2,5	2,49	07150-06204	6,81	07150-08204	2,79	+3,5	2,59	07150-06304	7,32	07150-08304	3,00	07150-06804
4,0 mm CHOBERT® & GROV®	6	+2,5	2,49	07150-07204	6,81	07150-09204	2,79	+3,5	2,59	07150-07304	7,32	07150-09304	3,00	07150-07804
	7	+3,8	3,10	07150-06205	8,13	07150-08205	3,30	-	-	-	-	-	-	07170-06875
	7	-	-	-	-	-	-	+6,3	3,35	07150-06305	9,45	07150-08305	3,81	07150-06805
	8	+3,8	3,10	07150-07205	8,13	07150-09205	3,30	-	-	-	-	-	-	07170-07875
4,8 mm CHOBERT® & GROV®	8	-	-	-	-	-	-	+6,3	3,35	07150-07305	9,45	07150-09305	3,81	07150-07805
	9	-	-	-	-	-	-	-	-	-	-	-	-	-
	9	+6,0	3,96	07150-06206	9,45	07150-08206	3,81	-	-	-	-	-	-	07150-06806
6,4 mm CHOBERT®	10	-	-	-	-	-	-	-	-	-	-	-	-	-
	10	+6,0	3,96	07150-07206	9,45	07150-09206	3,81	-	-	-	-	-	-	07150-07806
6,4 mm CHOBERT®	11	-	-	-	-	-	-	-	-	-	-	-	-	-
	12	-	-	-	-	-	-	-	-	-	-	-	-	-

# S/R = aiguille à cône court. Voir les explications pages 57-58.



Pour trouver la référence d'aiguille correspondant à une application particulière, lire les instructions ci-dessous après avoir relevé les informations suivantes, illustrées par l'exemple fourni en regard. Les réponses correspondant à l'exemple apparaissent en grisé et en italique.

NOM DE LA FIXATION	exemple	Chobert®
TAILLE DE LA FIXATION		3,2 mm
FICHE TECHNIQUE		Série 1125
TAILLE DU TROU DE L'APPLICATION		
ESPACE DERRIERE L'APPLICATION		Illimité
"REPERE" TIRE DU TABLEAU DE SELECTION DES NEZ DE POSE		5 (standard plat)

- Soustraire la dimension minimum de trou recommandée (SEL. REC), trouvée dans la fiche technique de la fixation, de la dimension réelle du trou de l'application, par exemple 0,005.
- Passer à la page du tableau de choix de l'aiguille concernant la fixation, en choisissant les unités anglaises ou métriques (pages 55 à 59), par exemple page 55.
- En partant de la rubrique 'Aiguille standard - Verte', retrouver les dimensions de la fixation dans la colonne de gauche, par exemple Chobert® & Grov® de 3,2 mm.
- Si l'on a déjà choisi un nez de pose convenant à la pose de la fixation, on doit alors pouvoir trouver, dans la rubrique concernant la fixation en question, une ligne ayant le même "Repère" que celle du tableau de sélection des nez de pose, par exemple 5. Cette ligne du Repère est celle dans laquelle on trouvera aussi bien la référence de l'aiguille que celle du ressort. Cette ligne se prolonge dans la deuxième partie du tableau pour les aiguilles de catégorie 2e et 3e surdimensionnée.
- Parcourir cette ligne jusqu'aux colonnes "taille du trou", et choisir celle qui est égale à la valeur calculée en premier lieu ou qui s'en rapproche le plus. On peut alors lire le numéro de référence de l'aiguille à côté de la taille du trou, par exemple 07150-06104.
- Pour les fixations Chobert® et Grov®, et elles seulement, la plupart des aiguilles existent aussi en version "cône court" (voir les illustrations de la page 58). Les aiguilles à cône court permettent de limiter les risques de contact entre le cône de l'aiguille et un obstacle situé à l'arrière, ce qui aurait pour effet d'empêcher un bon appui de la face inférieure de la tête de la fixation sur la surface de l'application, et donc un défaut de serrage à ce joint.
- Quelle que soit la taille d'aiguille que l'on retienne, il est également nécessaire de vérifier que la valeur "P" convient à l'aiguille. "P" est l'espace nécessaire au cône de l'aiguille à l'arrière de la fixation, en plus de la longueur de la fixation dépassant de l'application, comme indiqué sur le schéma de la page 58.
- On peut alors lire la référence du ressort d'aiguille correspondant dans la colonne de droite du tableau, par exemple 07150-06804.

Dans tous les cas, on doit assurer un serrage satisfaisant du joint, notamment si la taille du trou de l'application est très proche de la prochaine condition de trou surdimensionné, auquel cas il est plus sûr de choisir la taille d'aiguille supérieure pour obtenir un serrage plus fort. NE PAS OUBLIER que cela conduit à augmenter la force de mandrinage et à réduire la durée de vie de l'aiguille

## BRIV® - Mesures anglo-saxonnes

Pour choisir l'aiguille ou le ressort de l'aiguille, suivre les instructions plus haut.

FIXATION	REPERE	TAILLE DU TROU	AIGUILLE STANDARD - VERTE			TAILLE DU TROU	1E AIGUILLE SURDIMENSIONNEE - JAUNE			REFERENCE DU RESSORT
			DIAMETRE DU CONE	REFERENCE DE L'AIGUILLE	P. MAXI		DIAMETRE DU CONE	REFERENCE DE L'AIGUILLE	P. MAXI	
3/32" BRIV® LAITON SEULEMENT	13	SEL. REC.	,072	07150-06013	,119	+,004	,076	07150-06113	,123	07170-06873
	14	SEL. REC.	,072	07150-06013	,119	+,004	,076	07150-06113	,123	07170-06903
1/8" BRIV® ALLIAGE D'ALUMINIUM, LAITON, ACIER	15	SEL. REC.	,092	07271-06414	,120	+,005	,097	07271-06514	,126	07150-06814
	16	SEL. REC.	,092	07271-07414	,120	+,005	,097	07271-07514	,126	07150-07814
5/32" BRIV® ALLIAGE D'ALUMINIUM, LAITON, ACIER	17	SEL. REC.	,110	07150-06015	,136	+,005	,115	07150-06115	,142	07170-06875
	18	SEL. REC.	,110	07150-07015	,136	+,005	,115	07150-07115	,142	07170-07875
5/32" BRIV® ACIER INOXYDABLE SEULEMENT	19	SEL. REC.	,120	07170-06805	,126	+,005	,125	07170-06825	,132	07170-06875
	20	SEL. REC.	,120	07170-07805	,126	+,005	,125	07170-07825	,132	07170-07875
3/16" BRIV® ALLIAGE D'ALUMINIUM, LAITON, ACIER	21	SEL. REC.	,141	07150-06016	,157	+,005	,146	07150-06116	,164	07170-06876
	22	SEL. REC.	,141	07150-07016	,157	+,005	,146	07150-07116	,164	07170-07876
3/16" BRIV® ACIER INOXYDABLE SEULEMENT	23	SEL. REC.	,153	07170-06806	,150	+,005	,158	07170-06826	,156	07170-06876
	24	SEL. REC.	,153	07170-07806	,150	+,005	,158	07170-07826	,156	07170-07876
6mm BRIV® ALLIAGE D'ALUMINIUM, ACIER	25	SEL. REC.	,179	07150-06018	,165	+,005	,184	07150-06118	,171	07150-06846
	26	SEL. REC.	,179	07150-07018	,165	+,005	,184	07150-07118	,171	07150-07846

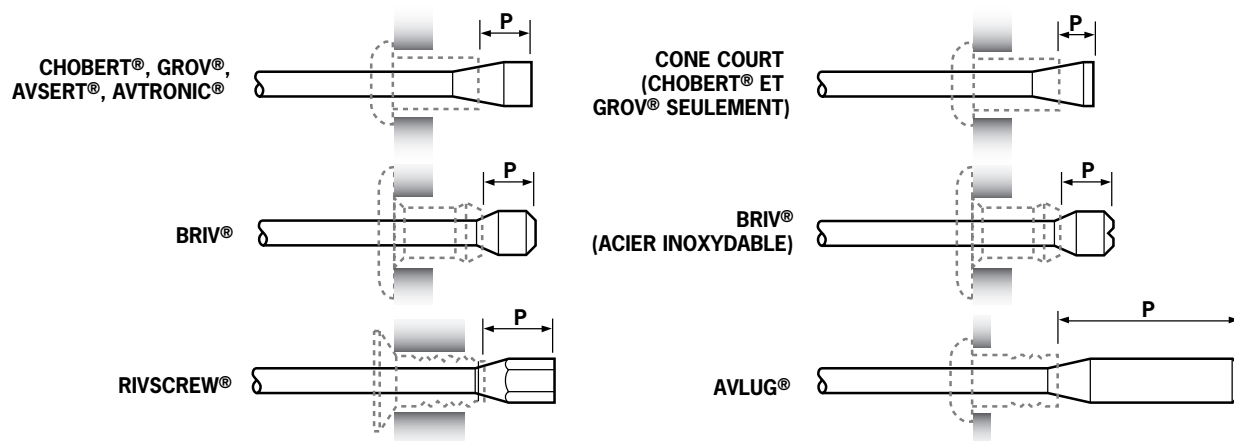
FIXATION	REPERE	TAILLE DU TROU	2E AIGUILLE SURDIMENSIONNEE - BLEUE			TAILLE DU TROU	3E AIGUILLE SURDIMENSIONNEE - ROUGE			REFERENCE DU RESSORT
			DIAMETRE DU CONE	REFERENCE DE L'AIGUILLE	P. MAXI		DIAMETRE DU CONE	REFERENCE DE L'AIGUILLE	P. MAXI	
3/32" BRIV® LAITON SEULEMENT	13	+,008	,079	07150-06213	,126	-	-	-	-	07170-06873
	14	+,008	,079	07150-06213	,126	-	-	-	-	07170-06903
1/8" BRIV® ALLIAGE D'ALUMINIUM, LAITON, ACIER	15	+,010	,102	07271-06614	,133	-	-	-	-	07150-06814
	16	+,010	,102	07271-07614	,133	-	-	-	-	07150-07814
5/32" BRIV® ALLIAGE D'ALUMINIUM, LAITON, ACIER	17	+,010	,120	07150-06215	,149	-	-	-	-	07170-06875
	18	+,010	,120	07150-07215	,149	-	-	-	-	07170-07875
5/32" BRIV® ACIER INOXYDABLE SEULEMENT	19	-	-	-	-	-	-	-	-	-
	20	-	-	-	-	-	-	-	-	-
3/16" BRIV® ALLIAGE D'ALUMINIUM, LAITON, ACIER	21	+,010	,151	07150-06216	,170	+,012	,153	07150-06316	,173	07170-06876
	22	+,010	,151	07150-07216	,170	+,012	,153	07150-07316	,173	07170-07876
3/16" BRIV® ACIER INOXYDABLE SEULEMENT	23	-	-	-	-	-	-	-	-	-
	24	-	-	-	-	-	-	-	-	-
6mm BRIV® ALLIAGE D'ALUMINIUM, ACIER	25	+,010	,189	07150-06218	,177	-	-	-	-	07150-06846
	26	+,010	,189	07150-07218	,177	-	-	-	-	07150-07846

# Ensembles de nez

## Types de cône d'aiguille et distance 'P'

Les aiguilles pour Briv® en acier inoxydable se reconnaissent facilement au V gravé à l'extrémité des cônes d'aiguille.

Lors de l'utilisation de nez de pose courbes, il est nécessaire de courber les aiguilles à la main pour leur donner la même courbure que le nez de pose, afin d'assurer une bonne alimentation des fixations.



## BRIV® - Metrique

FIXATION	REPERE	TAILLE DU TROU	AIGUILLE STANDARD - VERTE			TAILLE DU TROU	1E AIGUILLE SURDIMENSIONNEE - JAUNE			REFERENCE DU RESSORT
			DIAMETRE DU CONE	REFERENCE DE L'AIGUILLE	P. MAXI		DIAMETRE DU CONE	REFERENCE DE L'AIGUILLE	P. MAXI	
2,4 mm BRIV® LAITON SEULEMENT	13	SEL. REC.	1,83	07150-06013	3,02	+10	1,93	07150-06113	3,12	07170-06873
	14	SEL. REC.	1,83	07150-06013	3,02	+10	1,93	07150-06113	3,12	07170-06903
3,2 mm BRIV® ALLIAGE D'ALUMINIUM, LAITON, ACIER	15	SEL. REC.	2,34	07271-06414	3,05	+13	2,46	07271-06514	3,20	07150-06814
	16	SEL. REC.	2,34	07271-07414	3,05	+13	2,46	07271-07514	3,20	07150-07814
4,0 mm BRIV® ALLIAGE D'ALUMINIUM, LAITON, ACIER	17	SEL. REC.	2,79	07150-06015	3,45	+13	2,92	07150-06115	3,61	07170-06875
	18	SEL. REC.	2,79	07150-07015	3,45	+13	2,92	07150-07115	3,61	07170-07875
4,0 mm BRIV® ACIER INOXYDABLE SEULEMENT	19	SEL. REC.	3,05	07170-06805	3,20	+13	3,18	07170-06825	3,35	07170-06875
	20	SEL. REC.	3,05	07170-07805	3,20	+13	3,18	07170-07825	3,35	07170-07875
4,8 mm BRIV® ALLIAGE D'ALUMINIUM, LAITON, ACIER	21	SEL. REC.	3,58	07150-06016	3,99	+13	3,71	07150-06116	4,17	07170-06876
	22	SEL. REC.	3,58	07150-07016	3,99	+13	3,71	07150-07116	4,17	07170-07876
4,8 mm BRIV® ACIER INOXYDABLE SEULEMENT	23	SEL. REC.	3,89	07170-06806	3,81	+13	4,01	07170-06826	3,96	07170-06876
	24	SEL. REC.	3,89	07170-07806	3,81	+13	4,01	07170-07826	3,96	07170-07876
6 mm BRIV® ALLIAGE D'ALUMINIUM, ACIER	25	SEL. REC.	4,54	07150-06018	4,18	+13	4,67	07150-06118	4,34	07150-06846
	26	SEL. REC.	4,54	07150-07018	4,18	+13	4,67	07150-07118	4,34	07150-07846

FIXATION	REPERE	TAILLE DU TROU	2E AIGUILLE SURDIMENSIONNEE - BLEUE			TAILLE DU TROU	3E AIGUILLE SURDIMENSIONNEE - ROUGE			REFERENCE DU RESSORT
			DIAMETRE DU CONE	REFERENCE DE L'AIGUILLE	P. MAXI		DIAMETRE DU CONE	REFERENCE DE L'AIGUILLE	P. MAXI	
2,4 mm BRIV® LAITON SEULEMENT	13	+20	2,01	07150-06213	3,20	-	-	-	-	07170-06873
	14	+20	2,01	07150-06213	3,20	-	-	-	-	07170-06903
3,2 mm BRIV® ALLIAGE D'ALUMINIUM, LAITON, ACIER	15	+25	2,59	07271-06614	3,38	-	-	-	-	07150-06814
	16	+25	2,59	07271-07614	3,38	-	-	-	-	07150-07814
4,0 mm BRIV® ALLIAGE D'ALUMINIUM, LAITON, ACIER	17	+25	3,05	07150-06215	3,78	-	-	-	-	07170-06875
	18	+25	3,05	07150-07215	3,78	-	-	-	-	07170-07875
4,0 mm BRIV® ACIER INOXYDABLE SEULEMENT	19	-	-	-	-	-	-	-	-	-
	20	-	-	-	-	-	-	-	-	-
4,8 mm BRIV® ALLIAGE D'ALUMINIUM, LAITON, ACIER	21	+25	3,84	07150-06216	4,32	+30	3,85	07150-06316	4,39	07170-06876
	22	+25	3,84	07150-07216	4,32	+30	3,85	07150-07316	4,39	07170-07876
4,8 mm BRIV® ACIER INOXYDABLE SEULEMENT	23	-	-	-	-	-	-	-	-	-
	24	-	-	-	-	-	-	-	-	-
6 mm BRIV® ALLIAGE D'ALUMINIUM, ACIER	25	+25	4,79	07150-06218	4,49	-	-	-	-	07150-06846
	26	+25	4,79	07150-07218	4,49	-	-	-	-	07150-07846

## Avlug®, Avsert®, Avtronic® & Rivscrew® - Métrique et Mesures anglo-saxonnes

Pour choisir l'aiguille ou le ressort de l'aiguille, suivre les instructions de la page 57.

FIXATION	REPERE	TAILLE DU TROU	AIGUILLE STANDARD - VERTE			TAILLE DU TROU	1E AIGUILLE SURDIMENSIONNEE - JAUNE			REFERENCE DU RESSORT
			DIAMETRE DU CONE	REFERENCE DE L'AIGUILLE	P. MAXI		DIAMETRE DU CONE	REFERENCE DE L'AIGUILLE	P. MAXI	
3/32" AVLUG®	27	SEL. REC.	,076	07150-06603	,353	+0,05	,081	07150-06703	,478	07150-06803
	28	SEL. REC.	,076	07150-07603	,353	+0,03	,079	07150-07703	,368	07150-07803
1/8" AVLUG®	29	SEL. REC.	,098	07150-06604	,593	-	-	-	-	07150-06804
	30	SEL. REC.	,098	07150-07604	,593	-	-	-	-	07150-07804
2,5 mm, 4-40 UNC AVSERT®	31	SEL. REC.	,0725	07150-06003	,145	-	-	-	-	07150-06803
3,0 mm, 6-32 UNC AVSERT®	32	SEL. REC.	,088	07150-06004	,185	-	-	-	-	07150-06804
2,5 mm AVTRONIC®	33	SEL. REC.	,070	07170-06025	,140	+0,03	,073	07170-06125	,140	07150-06803
	34	SEL. REC.	,070	07170-07025	,140	+0,03	,073	07170-07125	,140	07150-07803
2,8 mm AVTRONIC®	35	SEL. REC.	,079	07170-06028	,150	+0,03	,082	07170-06128	,150	07170-06528
	36	SEL. REC.	,079	07170-06028	,150	+0,03	,082	07170-06128	,150	07170-06873
	37	SEL. REC.	,079	07170-07028	,150	+0,03	,082	07170-07128	,150	07170-07528
2,8 mm RIVSCREW®	38	SEL. REC.	* ,065	07271-06030	,127	-	-	-	-	07271-06630
3,0 mm RIVSCREW®	39	SEL. REC.	* ,065	07271-06030	,127	-	-	-	-	07271-06630
3,5 mm RIVSCREW®	40	SEL. REC.	* ,0825	07271-06035	,132	-	-	-	-	07271-06635
4,0 mm RIVSCREW®	41	SEL. REC.	* ,103	07271-06140	,150	-	-	-	-	07271-06640

\* ces dimensions s'entendent entre méplats

FIXATION	REPERE	TAILLE DU TROU	2E AIGUILLE SURDIMENSIONNEE - BLEUE			TAILLE DU TROU	3E AIGUILLE SURDIMENSIONNEE - ROUGE			REFERENCE DU RESSORT
			DIAMETRE DU CONE	REFERENCE DE L'AIGUILLE	P. MAXI		DIAMETRE DU CONE	REFERENCE DE L'AIGUILLE	P. MAXI	
3/32" AVLUG®	27	-	-	-	-	-	-	-	-	-
	28	-	-	-	-	-	-	-	-	-
1/8" AVLUG®	29	-	-	-	-	-	-	-	-	-
	30	-	-	-	-	-	-	-	-	-
2,5 mm, 4-40 UNC AVSERT®	31	-	-	-	-	-	-	-	-	-
3,0 mm, 6-32 UNC AVSERT®	32	-	-	-	-	-	-	-	-	-
2,5 mm AVTRONIC®	33	+0,06	,076	07170-06225	,140	-	-	-	-	07150-06803
	34	+0,06	,076	07170-07225	,140	-	-	-	-	07150-07803
2,8 mm AVTRONIC®	35	+0,06	,085	07170-06228	,150	-	-	-	-	07170-06528
	36	+0,06	,085	07170-06228	,150	-	-	-	-	07170-06873
	37	+0,06	,085	07170-07228	,150	-	-	-	-	07170-07528
2,8 mm RIVSCREW®	38	-	-	-	-	-	-	-	-	-
3,0 mm RIVSCREW®	39	-	-	-	-	-	-	-	-	-
3,5 mm RIVSCREW®	40	-	-	-	-	-	-	-	-	-
4,0 mm RIVSCREW®	41	-	-	-	-	-	-	-	-	-

FIXATION	REPERE	TAILLE DU TROU	AIGUILLE STANDARD - VERTE			TAILLE DU TROU	1E AIGUILLE SURDIMENSIONNEE - JAUNE			REFERENCE DU RESSORT
			DIAMETRE DU CONE	REFERENCE DE L'AIGUILLE	P. MAXI		DIAMETRE DU CONE	REFERENCE DE L'AIGUILLE	P. MAXI	
2,4 mm AVLUG®	27	SEL. REC.	1,93	07150-06603	8,97	+1,0	2,06	07150-06703	12,14	07150-06803
	28	SEL. REC.	1,93	07150-07603	8,97	+1,0	2,01	07150-07703	9,35	07150-07803
3,2 mm AVLUG®	29	SEL. REC.	2,49	07150-06604	15,06	-	-	-	-	07150-06804
	30	SEL. REC.	2,49	07150-07604	15,06	-	-	-	-	07150-07804
2,5 mm, 4-40 UNC AVSERT®	31	SEL. REC.	1,84	07150-06003	3,68	-	-	-	-	07150-06803
3,0 mm, 6-32 UNC AVSERT®	32	SEL. REC.	2,24	07150-06004	4,70	-	-	-	-	07150-06804
2,5 mm AVTRONIC®	33	SEL. REC.	1,78	07170-06025	3,56	+0,7	1,85	07170-06125	3,56	07150-06803
	34	SEL. REC.	1,78	07170-07025	3,56	+0,7	1,85	07170-07125	3,56	07150-07803
2,8 mm AVTRONIC®	35	SEL. REC.	2,01	07170-06028	3,81	+0,7	2,08	07170-06128	3,81	07170-06528
	36	SEL. REC.	2,01	07170-06028	3,81	+0,7	2,08	07170-06128	3,81	07170-06873
	37	SEL. REC.	2,01	07170-07028	3,81	+0,7	2,08	07170-07128	3,81	07170-07528
2,8 mm RIVSCREW®	38	SEL. REC.	* 1,65	07271-06030	3,23	-	-	-	-	07271-06630
3,0 mm RIVSCREW®	39	SEL. REC.	* 1,65	07271-06030	3,23	-	-	-	-	07271-06630
3,5 mm RIVSCREW®	40	SEL. REC.	* 2,10	07271-06035	3,35	-	-	-	-	07271-06635
4,0 mm RIVSCREW®	41	SEL. REC.	* 2,62	07271-06140	3,81	-	-	-	-	07271-06640

\* ces dimensions s'entendent entre méplats

FIXATION	REPERE	TAILLE DU TROU	2E AIGUILLE SURDIMENSIONNEE - BLEUE			TAILLE DU TROU	3E AIGUILLE SURDIMENSIONNEE - ROUGE			REFERENCE DU RESSORT
			DIAMETRE DU CONE	REFERENCE DE L'AIGUILLE	P. MAXI		DIAMETRE DU CONE	REFERENCE DE L'AIGUILLE	P. MAXI	
2,4 mm AVLUG®	27	-	-	-	-	-	-	-	-	-
	28	-	-	-	-	-	-	-	-	-
3,2 mm AVLUG®	29	-	-	-	-	-	-	-	-	-
	30	-	-	-	-	-	-	-	-	-
2,5 mm, 4-40 UNC AVSERT®	31	-	-	-	-	-	-	-	-	-
3,0 mm, 6-32 UNC AVSERT®	32	-	-	-	-	-	-	-	-	-
2,5 mm AVTRONIC®	33	+1,15	1,93	07170-06225	3,56	-	-	-	-	07150-06803
	34	+1,15	1,93	07170-07225	3,56	-	-	-	-	07150-07803
2,8 mm AVTRONIC®	35	+1,15	2,16	07170-06228	3,81	-	-	-	-	07170-06528
	36	+1,15	2,16	07170-06228	3,81	-	-	-	-	07170-06873
	37	+1,15	2,16	07170-07228	3,81	-	-	-	-	07170-07528
2,8 mm RIVSCREW®	38	-	-	-	-	-	-	-	-	-
3,0 mm RIVSCREW®	39	-	-	-	-	-	-	-	-	-
3,5 mm RIVSCREW®	40	-	-	-	-	-	-	-	-	-
4,0 mm RIVSCREW®	41	-	-	-	-	-	-	-	-	-

# Entretien de l'outil

L'entretien doit être effectué de façon régulière, et une révision approfondie doit avoir lieu chaque année ou tous les 500,000 cycles minimum.

## **I M P O R T A N T**

**Il appartient à l'employeur de faire en sorte que les instructions de maintenance des outils soient confiées aux personnes compétentes. L'opérateur ne doit pas être impliqué dans la maintenance ou la réparation de l'outil, à moins qu'il n'ait reçu la formation appropriée.**

## **Chaque jour**

- Chaque jour, avant d'utiliser l'outil, ou lors de sa première mise en service, verser quelques gouttes d'une huile de lubrification propre dans l'arrivée d'air de l'intensificateur, si l'alimentation pneumatique ne comporte pas d'huileur. Si l'outil est utilisé de façon continue, débrancher le flexible de l'alimentation pneumatique, et lubrifier l'outil toutes les deux ou trois heures.
- Rechercher les fuites d'air et d'huile. Les flexibles et raccords endommagés doivent être remplacés par des neufs.
- S'il n'y a pas de filtre sur le régulateur de pression, purger la conduite d'air pour la débarrasser de toute accumulation de saletés ou d'eau avant de raccorder le flexible à l'intensificateur. Si un filtre est monté, le purger.
- Vérifier que l'équipement de pose monté est le bon.
- Vérifier régulièrement les aiguilles en recherchant les traces d'usure ou de dommages, et en tenant le compte du nombre de poses (voir les instructions de sécurité, page 42).

## **Chaque semaine**

- Suivre les procédures intégrales "quotidiennes" décrites ci-dessus.
- Démonter, examiner, nettoyer et graisser les mâchoires d'aiguille (voir "Cylindre des mâchoires d'aiguille" de la rubrique 'Maintenance', page 62).
- Vérifier que le niveau d'huile du réservoir de l'intensificateur est à environ 1,25 cm sous la plaque de fermeture transparente.

## **Graisse au Bisulfure de Molybdène EP 3753 Informations de Sécurité**

La graisse peut être commandée séparément. Sa référence est indiquée dans le kit d'entretien, sur la page 61.

### **Premiers Secours**

PEAU:

Cette graisse résistante parfaitement à l'eau, la meilleure façon de l'éliminer est d'employer un émulsifiteur approuvé pour usage cutané.

INGESTION:

Veiller à ce que le patient boive 30 ml de lait de magnésie, de préférence dans une tasse de lait.

YEUX:

Irritante, mais sans danger. Rincer à l'eau et faire appel à un médecin.

### **Incendie**

POINT ECLAIR : supérieur à 220°C.

Non classé comme inflammable.

Agents d'extinction appropriés : CO<sub>2</sub>, Halon ou jet d'eau, si appliqué par une personne qualifiée.

### **Environnement**

racler les dépôts. Les brûler ou les mettre en décharge sur un site approuvé.

### **Manutention**

Utiliser une crème protectrice ou des gants résistants à l'huile.

### **Stockage**

A l'écart de la chaleur et des agents oxydants.

**Kit d'entretien**

Pour toute opération d'entretien, nous recommandons l'emploi du kit d'entretien (référence 07900-05300).

KIT D'ENTRETIEN					
REFERENCE	DESCRIPTION	Quantité	REFERENCE	DESCRIPTION	Quantité
07900-00157	PINCE A CIRCLIPS	1	07900-00352	CROCHET D'EXTRACTION DE JOINT	1
07900-00006	SPATULE	1	07900-00710	CLE DE RETRAIT DE BOUCHON DE CANON	1
07900-00446	EXTRACTEUR	1	07900-00725	BILLE	1
07900-00603	MACHOIRES D'ETAU POUR CANON	1	07900-00243	TOURNEVIS	1
07900-00520	TIGE DE 3/8 DE POUCE	1	07900-00488	CLE POUR INTENSIFICATEUR	1
07900-00521	TIGE DE 1/4 DE POUCE	1	07900-00013	CLE ALLEN DE 1/8 DE POUCE	1
07900-00602	BILLE DE MONTAGE DE JOINT TORIQUE	1	07900-00617	LOT DE LOCTITE MULTI-GASKET 574 DE 50 ML	1
07900-00595	CLE DE 18 mm	1	07900-00469	CLE ALLEN DE 2,5 mm	1
07900-00434	CLE DE 12 mm	1	07900-00351	CLE ALLEN DE 3 mm	1
07900-00237	CLE 3/8 X 5/16 DE POUCE	1	07900-00224	CLE ALLEN DE 4 mm	1
07900-00012	CLE DE 9/16 X 5/8 DE POUCE	1	07900-00225	CLE ALLEN DE 5 mm	1
07900-00008	CLE DE 7/16 X 1/2 POUCE	1	07992-00020	POT DE 80 G DE GRAISSE AU BISULFURE DE MOLYBDENE EP 3753	1

Note: sauf indication contraire, les dimensions des clés s'entendent "entre méplats".

# Entretien

Tous les 500.000 cycles, ainsi qu'aux périodes recommandées, l'outil doit être entièrement démonté, et les composants usés ou endommagés doivent être remplacés. Tous les joints plats et toriques doivent être changés, avec lubrification à la graisse au bisulfure de molybdène EP 3753 avant remontage.

## I M P O R T A N T

**Les instructions de sécurité figurent pages 42.**  
**Il appartient à l'employeur de faire en sorte que les instructions de maintenance des outils soient confiées aux personnes compétentes. L'opérateur ne doit pas être impliqué dans la maintenance ou la réparation de l'outil, à moins qu'il n'ait reçu la formation appropriée.**

Sauf indication contraire, l'alimentation pneumatique doit être débranchée avant toute opération d'entretien ou de démontage.

Il est recommandé d'effectuer tout démontage dans de bonnes conditions de propreté.

Les procédures de démontage des outils 07530 Mk II et 07532 Mk II font l'objet de rubriques séparées. Pour l'outil 07530 Mk II, consulter les procédures de démontage ci-dessous et pour celles de l'outil 07532 Mk II, consulter les pages 64-65. Les numéros de repère en caractères **gras** se réfèrent à la rubrique Assemblage générale et liste de pièces prévue pour chaque modèle sur les pages 66-69.

Avant de démonter l'outil, il est nécessaire d'enlever l'équipement de pose.

Pour un entretien complet de l'outil, nous conseillons de procéder par démontage de sous-ensembles dans l'ordre indiqué ci-dessous, après avoir débranché le flexible hydraulique de l'intensificateur et la ligne pneumatique de gâchette de la valve de l'intensificateur, séparant ainsi le pistolet de l'intensificateur.

## Demontage de l'outil 07530-02200 MkII

Consulter les pages 64-65 pour démonter l'outil 07530-02200 Mk II.

### CYLINDRE DES MACHOIRES D'AIGUILLE

- Faire pivoter le clip **47** vers le haut à la main et retirer l'obturateur **38**.
- A l'aide d'une clé Allen\*, retirer une des vis à tête cylindrique **44**, en veillant à bien purger l'air du cylindre des mâchoires d'aiguille. Retirer l'autre vis à tête cylindrique **44**.
- Faire sortir l'obturateur arrière **46**.
- Extraire les composants des mâchoires d'aiguille pneumatiques, soit l'ensemble de piston de mâchoires d'aiguille **14**, le ressort **13**, les mâchoires **9** et le carter porte-mâchoires **8**.
- Retirer l'obturateur de l'arrière de l'ensemble piston à l'aide d'une clé Allen\* et d'une barre insérée dans la grande fente de la tourelle.
- Nettoyer la tourelle à l'aide d'un foret de 4,7 mm et replacer l'obturateur à l'aide d'un produit d'étanchéité non durcissant (comme Loctite Multi-gasket 574\*).
- Retirer le joint torique d'étanchéité de piston **10**.
- A l'aide d'une clé Allen\*, enlever de la poignée les cinq vis de fixation de pièce moulée de poignée **34**, **39** et les écrous **33** de la poignée de l'outil.
- Serrer le canon **25** dans un étau équipé de mâchoires tendres\*, pour éviter de l'endommager.
- A l'aide d'une clé à tube\*, dévisser le bouchon de canon **7** en empêchant le canon **25** de tourner, à l'aide d'une clé à fourche\*.
- Débrancher le tube pneumatique en accordéon des mâchoires d'aiguille **12** du bloc interrupteur **28** et retirer le cylindre des mâchoires d'aiguille **6** de l'outil.
- Retirer le joint torique **4**, la bande de frottement **15** et le ressort de rappel du canon **16**.
- La longueur sans charge du ressort **13** doit être de 38,1 mm. Le changer si nécessaire.
- Enduire les mâchoires d'aiguille de graisse au bisulfure de molybdène avant de remonter.
- Remonter en inversant la procédure de démontage.

### PISTON HYDRAULIQUE

- Déposer le cylindre de mâchoires d'aiguille **6** de la façon déjà décrite.
- Serrer à l'étau le carter principal **19** en utilisant des mâchoires tendres\* pour éviter de l'endommager. Desserrer le limiteur de course **17**.
- Serrer le canon **25** dans un étau équipé de mâchoires tendres, extraire le carter principal **19** du canon **25** (une faible quantité d'huile hydraulique sort du carter intérieur).
- Enlever avec précaution le piston **18**, pour éviter d'endommager l'alésage du carter.
- Enlever le joint **3**.
- Il est difficile d'enlever le joint **1** sans l'endommager, mais il peut rester en place pendant le nettoyage (à condition que le nettoyage lui-même ne l'abîme pas). S'il est toutefois nécessaire de changer ce joint **1**, procéder de la façon suivante :
- A l'aide d'une spatule\*, arracher du carter principal **19** le joint **1**, en veillant à ne pas endommager la cavité et les alésages du carter. Une fois enlevé, l'ancien joint **1** doit être rebuté.
- Pour changer le joint **1**, dévisser l'ensemble flexible hydraulique **22** et monter un ensemble bouchon de purge **2** de rechange en le vissant pour amener la face intérieure au niveau de l'alésage intérieur.
- Dévisser le bouchon de purge existant jusqu'à ce que sa face interne soit de niveau avec l'alésage interne. Ceci crée un passage facile pour introduire le nouveau joint **1** par l'arrière du carter principal.
- Vérifier que le joint est bien graissé et orienté dans le bon sens, le côté ouvert du joint face aux mâchoires d'aiguille arrière.
- Terminer le remontage dans l'ordre inverse du démontage.

\* signale les éléments faisant partie du kit d'entretien 0753 Mk II. Voir page 61 la liste complète.

Les numéros de repère en caractères **gras** renvoient à la rubrique Assemblage générale et liste de pièces des pages 66-67.

## Demontage de l'outil 07530-02200 MkII

---

### ENSEMBLE GACHETTE

- Pour démonter / procéder à l'entretien de l'ensemble, enlever les capots de l'outil en adoptant la procédure décrite précédemment.
- Débrancher de l'ensemble tous les flexibles pneumatiques en veillant à ne pas les endommager. Retirer l'ensemble.
- A l'aide d'une clé\*, dévisser la retenue d'étanchéité **49** et la retirer. Veiller à bien conserver le ressort **50**.
- Débloquer le joint torique **53**, en veillant à ne pas endommager le pivot **54** ou les assises de retenue d'étanchéité **49**.
- Nettoyer et remonter, en utilisant un joint torique **53** neuf.
- Vérifier la longueur sans charge du ressort **50**, qui doit être de 12,7 mm - remplacer si nécessaire.
- Remonter en inversant la procédure de démontage.

### VALVE MARCHE / ARRET DE MACHOIRES D'AIGUILLE

- Cet ensemble est conçu pour ne nécessiter qu'un minimum d'entretien au cours de la durée de vie de l'outil.
- Si le démontage de la valve s'avère nécessaire, procéder comme suit :
- Débrancher de l'ensemble les flexibles pneumatiques en veillant à ne pas les endommager. Retirer l'ensemble.
- A l'aide d'une clé Allen\*, desserrer la vis **27** bloquant l'ensemble sur le canon **25** et retirer l'ensemble.
- A l'aide d'un tournevis\*, enlever avec précaution la rondelle Starlock chromée **26** du tiroir pneumatique de mâchoires **29** et jeter cette rondelle.
- Extraire le tiroir pneumatique de mâchoires **29** du bloc interrupteur **28**.
- En veillant à ne pas endommager le tiroir pneumatique de mâchoires **29**, retirer les joints toriques **31**.
- Nettoyer le tiroir et remonter des joints toriques **31** neufs à l'aide de la bille de montage\* et l'insérer dans le bloc interrupteur **28**, en faisant attention à bien l'orienter.
- Monter une rondelle Starlock chromée **26** neuve en serrant l'ensemble dans un étau équipé de mâchoires tendres, pour éviter de l'endommager. NE PAS APPLIQUER UNE FORCE EXCESSIVE.
- Terminer le remontage en inversant la procédure de démontage.

### CLAPET ANTI-RETOUR DE PRESSION DE MACHOIRES D'AIGUILLE

- Le clapet anti-retour **21** est situé dans la poignée de l'outil.
- Pour retirer / remplacer le clapet anti-retour **21**, faire pression sur les raccords traversants et retirer le tube en plastique bleu **23** des deux extrémités.
- Faire attention à l'orientation du clapet anti-retour **21** au moment de le remonter.

### POIGNEE & OBTURATEUR

- Nettoyer et examiner les pièces moulées à la recherche de fissuration ou autres dommages.

### CURSEUR MECANIQUE

- Nettoyer et huiler le curseur mécanique **5** de temps en temps, avec un peu d'huile légère.

### I M P O R T A N T

**Pratiquer sur l'outil les vérifications et opérations correspondant à l'entretien quotidien et hebdomadaire.  
Un plein d'huile est TOUJOURS nécessaire après démontage de l'outil et avant de l'utiliser.**

\* signale les éléments faisant partie du kit d'entretien 0753 Mk II. Voir page 61 la liste complète.  
Les numéros de repère en caractères **gras** renvoient à la rubrique Assemblage générale et liste de pièces des pages 66-67.

# Entretien

## Demontage de l'outil 07532-02200 MkII

---

Consulter les pages 62-63 pour démonter l'outil 07530-02200 MkII.

### CYLINDRE DES MACHOIRES D'AIGUILLE

- Faire pivoter le clip **54** vers le haut à la main et retirer l'obturateur **45**.
- A l'aide d'une clé Allen\*, retirer une des vis à tête cylindrique **51**, en veillant à bien purger l'air du cylindre des mâchoires d'aiguille. Retirer l'autre vis à tête cylindrique **51**.
- Pousser vers l'avant l'obturateur arrière **53** contre le ressort **20** et le relâcher brusquement pour faire tomber l'obturateur arrière **53**.
- Extraire les composants des mâchoires d'aiguille pneumatiques, soit l'ensemble de piston de mâchoires d'aiguille **21**, le ressort **20**, les mâchoires **16** et le carter porte-mâchoires **15**.
- Retirer l'obturateur de l'arrière de l'ensemble piston à l'aide d'une clé Allen\* et d'une barre insérée dans la grande fente de la tourelle.
- Nettoyer la tourelle à l'aide d'un foret de 4,7 mm et replacer l'obturateur à l'aide d'un produit d'étanchéité non durcissant (comme Loctite Multi-gasket 574\*).
- Retirer le joint torique d'étanchéité de piston **17**.
- A l'aide d'une clé Allen\*, enlever de la poignée les cinq vis de fixation de pièce moulée de poignée **41**, **46** et les écrous **40** de la poignée de l'outil.
- Serrer le canon **31** dans un étau équipé de mâchoires tendres\*, pour éviter de l'endommager.
- A l'aide d'une clé à tube\*, dévisser le bouchon de canon **14** en empêchant le canon **31** de tourner, à l'aide d'une clé à fourche\*.
- Débrancher le tube pneumatique en accordéon des mâchoires d'aiguille **19** du bloc interrupteur **35** et retirer le cylindre des mâchoires d'aiguille **12** de l'outil.
- Retirer le joint torique **10**, la bande de frottement **22** et le ressort de rappel du canon **13**.
- La longueur sans charge du ressort **20** doit être de 38,1 mm. Le changer si nécessaire.
- Enduire les mâchoires d'aiguille de graisse au bisulfure de molybdène avant de remonter.
- Remonter en inversant la procédure de démontage.

### PISTON HYDRAULIQUE

- Déposer le cylindre de mâchoires d'aiguille **12** de la façon déjà décrite.
- Serrer à l'étau le carter principal **25** en utilisant des mâchoires tendres\* pour éviter de l'endommager. Desserrer le limiteur de course **23**.
- Serrer le canon **31** dans un étau équipé de mâchoires tendres, extraire le carter principal **25** du canon **31** (une faible quantité d'huile hydraulique sort du carter intérieur).
- Enlever avec précaution le piston **24**, pour éviter d'endommager l'alésage du carter.
- Enlever le joint **9**.
- Il est difficile d'enlever le joint 1 sans l'endommager, mais il peut rester en place pendant le nettoyage (à condition que le nettoyage lui-même ne l'abîme pas). S'il est toutefois nécessaire de changer ce joint 1, procéder de la façon suivante :
- A l'aide d'une spatule\*, arracher du carter principal **25** le joint 1, en veillant à ne pas endommager la cavité et les alésages du carter. Une fois enlevé, l'ancien joint 1 doit être rebuté.
- Pour changer le joint **1**, débrancher l'ensemble flexible hydraulique **63** et tous les tuyaux pneumatiques associés. Dévisser le couplage autoserrant **6**, retirer la plaque de montage à suspension **4**, dévisser le flexible d'adaptateur supérieur **2** et monter un ensemble bouchon de purge **30** de rechange en le vissant pour amener la face intérieure au niveau de l'alésage intérieur.
- Dévisser le bouchon de purge existant jusqu'à ce que sa face interne soit de niveau avec l'alésage interne. Ceci crée un passage facile pour introduire le nouveau joint **1** par l'arrière du carter principal.
- Vérifier que le joint est bien graissé et orienté dans le bon sens, le côté ouvert du joint face aux mâchoires d'aiguille arrière.
- Terminer le remontage dans l'ordre inverse du démontage.

\* signale les éléments faisant partie du kit d'entretien 0753 Mk II. Voir page 61 la liste complète.

Les numéros de repère en caractères **gras** renvoient à la rubrique Assemblage générale et liste de pièces des pages 68-69.



## Demontage de l'outil 07532-02200 MkII

---

### ENSEMBLE GACHETTE

- Pour démonter / procéder à l'entretien de l'ensemble, enlever les capots de l'outil en adoptant la procédure décrite précédemment.
- Débrancher de l'ensemble tous les flexibles pneumatiques en veillant à ne pas les endommager. Retirer l'ensemble.
- A l'aide d'une clé\*, dévisser la retenue d'étanchéité **56** et la retirer. Veiller à bien conserver le ressort **57**.
- Débloquer le joint torique **60**, en veillant à ne pas endommager le pivot **61** ou les assises de retenue d'étanchéité **56**.
- Nettoyer et remonter, en utilisant un joint torique **60** neuf.
- Vérifier la longueur sans charge du ressort **57**, qui doit être de 12,7 mm - remplacer si nécessaire.
- Remonter en inversant la procédure de démontage.

### VALVE MARCHE / ARRET DE MACHOIRES D'AIGUILLE

- Cet ensemble est conçu pour ne nécessiter qu'un minimum d'entretien au cours de la durée de vie de l'outil.
- Si le démontage de la valve s'avère nécessaire, procéder comme suit :
- Débrancher de l'ensemble les flexibles pneumatiques en veillant à ne pas les endommager. Retirer l'ensemble.
- A l'aide d'une clé Allen\*, desserrer la vis **34** bloquant l'ensemble sur le canon **31** et retirer l'ensemble.
- A l'aide d'un tournevis\*, enlever avec précaution la rondelle Starlock chromée **33** du tiroir pneumatique de mâchoires **36** et jeter cette rondelle.
- Extraire le tiroir pneumatique de mâchoires **36** du bloc interrupteur **35**.
- En veillant à ne pas endommager le tiroir pneumatique de mâchoires **36**, retirer les joints toriques **38**.
- Nettoyer le tiroir et remonter des joints toriques **38** neufs à l'aide de la bille de montage\* et l'insérer dans le bloc interrupteur **35**, en faisant attention à bien l'orienter.
- Monter une rondelle Starlock chromée **33** neuve en serrant l'ensemble dans un étau équipé de mâchoires tendres, pour éviter de l'endommager. NE PAS APPLIQUER UNE FORCE EXCESSIVE.
- Terminer le remontage en inversant la procédure de démontage.

### CLAPET ANTI-RETOUR DE PRESSION DE MACHOIRES D'AIGUILLE

- Le clapet anti-retour **26** est situé dans la poignée de l'outil.
- Pour retirer / remplacer le clapet anti-retour **26**, faire pression sur les raccords traversants et retirer le tube en plastique bleu **27** des deux extrémités.
- Faire attention à l'orientation du clapet anti-retour **26** au moment de le remonter.

### POIGNEE & OBTURATEUR

- Nettoyer et examiner les pièces moulées à la recherche de fissuration ou autres dommages.

### CURSEUR MECANIQUE

- Nettoyer et huiler le curseur mécanique **11** de temps en temps, avec un peu d'huile légère.

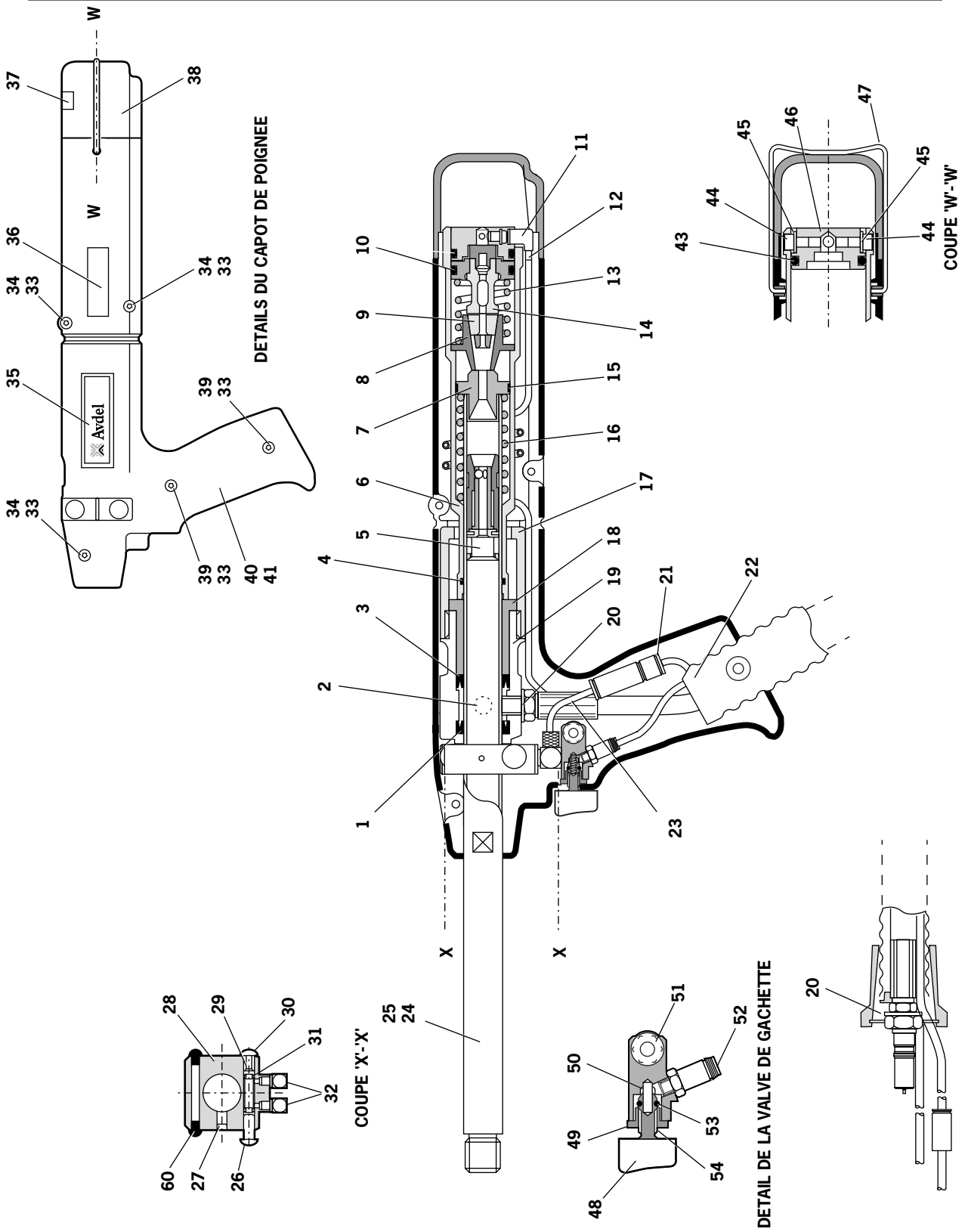
#### I M P O R T A N T

**Pratiquer sur l'outil les vérifications et opérations correspondant à l'entretien quotidien et hebdomadaire.  
Un plein d'huile est TOUJOURS nécessaire après démontage de l'outil et avant de l'utiliser.**

\* signale les éléments faisant partie du kit d'entretien 0753 Mk II. Voir page 61 la liste complète.

Les numéros de repère en caractères **gras** renvoient à la rubrique Assemblage générale et liste de pièces des pages 68-69.

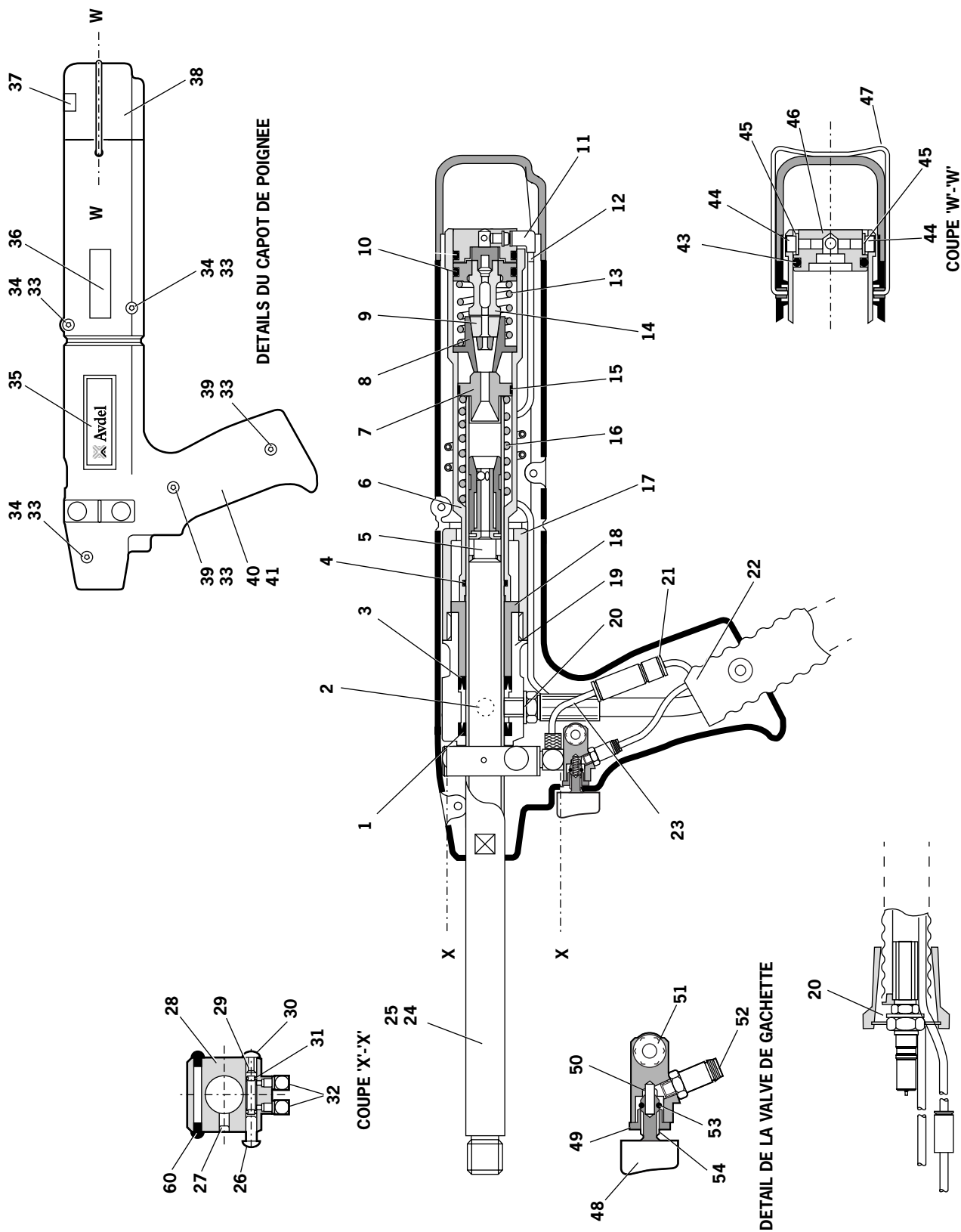
# Assemblage général de l'outil de base 07530-02200 MkII



Liste de pièces de l'outil de base 07530-02200 MkII Français

LISTE DE PIÈCES 07530-02200									
REPÈRE	RÉFÉRENCE	DESCRIPTION	QTÉ	RECHANGE	REPÈRE	RÉFÉRENCE	DESCRIPTION	QTÉ	RECHANGE
1	07003-00237	JOINT (STATIQUE)	1	-	29	07530-02302	TIROIR PNEUMATIQUE DES MACHOIRES	1	-
2	07530-00500	ENSEMBLE BOUCHON DE PURGE (ELEMENTS 56 à 59)	1	-	30	07004-00059	RONDELLE STARLOCK NOIRE 1/8"	1	-
3	07003-00236	JOINT (DYNAMIQUE)	1	-	31	07003-00121	JOINT TORIQUE	2	3
4	07003-00167	JOINT TORIQUE	1	-	32	07005-01571	RACCORD COUDE	2	-
5	07271-01100	ENSEMBLE CURSEUR MECANIQUE	1	-	33	07002-00134	ECROU HEXAGONAL M4	5	-
6	07530-02207	CYLINDRE DES MACHOIRES D'AIGUILLE	1	-	34	07001-00401	VIS LONGUE M4 X 10 A TETE CYLINDRIQUE A SIX PANS CREUX	3	-
7	07530-02205	BOUCHON DE CANON	1	-	35	07530-02210	ETIQUETTE	2	-
8	07530-00208	CARTER PORTE-MACHOIRES	1	-	36	07007-01504	ETIQUETTE CONFORMITE CE	1	-
9	07151-00403	MACHOIRES	2	2	37	07007-01503	ETIQUETTE A ICONE LIVRE OUVERT	1	-
10	07003-00113	JOINT TORIQUE	1	2	38	07530-02603	OBTURATEUR	1	-
11	07005-01972	RACCORD FILETE EN L	1	-	39	07001-00262	VIS LONGUE M4 X 22 A TETE CYLINDRIQUE A SIX PANS CREUX	2	-
12	07530-02211	TUBE PNEUMATIQUE EN ACCORDEON DES MACHOIRES D'AIGUILLE	1	-	40	07530-02601	PIECE MOULEE DE POIGNEE MODIFIEE (DROITE)	1	-
13	07154-00404	RESSORT	1	-	41	07530-02602	PIECE MOULEE DE POIGNEE MODIFIEE (GAUCHE)	1	-
14	07530-02800	ENSEMBLE PISTON DES MACHOIRES D'AIGUILLE	1	-	43	07003-00113	JOINT TORIQUE	1	-
15	07530-00206	BANDE DE FROTTEMENT	1	1	44	07001-00504	VIS LONGUE M4 X 6 A TETE CYLINDRIQUE A SIX PANS CREUX	2	2
16	07490-03002	RESSORT DE RAPPEL DU CANON	1	-	45	07002-00153	RONDELLE PLASTIQUE M4	2	-
17	07530-00204	LIMITEUR DE COURSE	1	-	46	07530-02213	OBTURATEUR ARRIERE	1	-
18	07530-00203	PISTON	1	-	47	07530-02220	CLIP	1	-
19	07530-02202	CARTER PRINCIPAL	1	-	48	07007-00300	GACHETTE	1	-
20	07003-00142	JOINT COLLE BSP 1/8"	2	2	49	07220-00803	RETENUE D'ETANCHEITE	1	-
21	07005-01973	CLAPET ANTHRETOUR	1	-	50	07125-00215	RESSORT	1	-
22	07008-00423	ENSEMBLE FLEXIBLE HYDRAULIQUE	1	-	51	07530-02311	LOGEMENT DE GACHETTE	1	-
23	07005-01083	TUBE PLASTIQUE BLEU 4 mm DIAMETRE EXTERIEUR	60 mm	-	52	07005-01357	RACCORD TYPE A COLLERETTE	1	-
24	07007-00017	CHAPEAU ANTI-POUSSIERE	1	-	53	07003-00022	JOINT TORIQUE	1	-
25	07530-02201	CANON	1	-	54	07241-00208	PIVOT	1	-
26	07004-00058	RONDELLE STARLOCK CHROMEE 1/8"	1	-	56	07003-00142	● JOINT COLLE	1	1
27	07001-00404	VIS LONGUE M5 X 6 A TETE CYLINDRIQUE A SIX PANS CREUX	1	-	57	07003-00194	● JOINT COLLE	1	1
28	07530-02301	BLOC INTERRUPTEUR	1	-	58	07001-00442	● VIS	1	-
					59	07530-00501	● OBTURATEUR	1	-
					60	07530-00310	OBTURATEUR	2	-

# Assemblage général de l'outil de base 07532-02200 MkII



LISTE DE PIÈCES 07532-02200									
REPÈRE	RÉFÉRENCE	DESCRIPTION	QTÉ	RECHANGE	REPÈRE	RÉFÉRENCE	DESCRIPTION	QTÉ	RECHANGE
1	07003-00237	JOINT (STATIQUE)	1	-	33	07004-00058	RONDELLE STARLOCK CHROMÉE 1/8"	1	-
2	07532-00203	ADAPTATEUR DE FLEXIBLE SUPERIEUR	1	-	34	07001-00404	VIS LONGUE M5 X 6 A TÊTE CYLINDRIQUE A SIX PANS CREUX	1	-
3	07003-00142	JOINT COLLE BSP 1/8"	4	2	35	07530-02301	BLOC INTERRUPTEUR TIROIR PNEUMATIQUE DE MACHOIRES	1	-
4	07532-02202	PLAQUE DE MONTAGE A SUSPENSION	1	-	36	07530-02302	RONDELLE STARLOCK NOIRE 1/8"	1	-
5	07532-00205	VIS MODIFIEE	1	-	37	07004-00059	JOINT TORIQUE	1	-
6	07005-00759	COUPLAGE AUTOSERRANT	1	-	38	07003-00121	JOINT TORIQUE	2	3
7	07005-01357	RACCORD TYPE A COLLERETTE	3	-	39	07005-01571	RACCORD COUDE	2	-
8	07005-01325	RACCORD CANNELE DROIT	2	-	40	07002-00134	ECROU HEXAGONAL M4	5	-
9	07003-00236	JOINT (DYNAMIQUE)	1	1	41	07001-00401	VIS LONGUE M4 X 10 A TÊTE CYLINDRIQUE A SIX PANS CREUX	3	-
10	07003-00167	JOINT TORIQUE	1	1	42	07530-02210	ETIQUETTE	1	-
11	07271-01100	ENSEMBLE CURSEUR MECANIQUE	1	-	43	07007-01504	ETIQUETTE CONFORMITE CE	1	-
12	07530-02207	CYLINDRE DES MACHOIRES D'AIGUILLE	1	-	44	07007-01503	ETIQUETTE A ICONE LIVRE OUVERT	1	-
13	07490-03002	RESSORT DE RAPPEL DU CANON	1	-	45	07530-02603	OBTURATEUR	1	-
14	07530-02205	BOUCHON DE CANON	1	-	46	07001-00262	VIS LONGUE M4 X 22 CYLINDRIQUE A TÊTE A SIX PANS CREUX	2	-
15	07530-00208	CARTER PORTE-MACHOIRES	1	-	47	07532-02208	PIECE MOULEE DE POIGNEE MODIFIEE (DROITE)	1	-
16	07151-00403	MACHOIRES	2	2	48	07532-02209	PIECE MOULEE DE POIGNEE MODIFIEE (GAUCHE)	1	-
17	07003-00113	JOINT TORIQUE	1	2	50	07003-00113	JOINT TORIQUE	1	-
18	07005-01972	RACCORD FILETE EN L	1	-	51	07001-00504	VIS LONGUE M4 X 6 A TÊTE CYLINDRIQUE A SIX PANS CREUX	2	2
19	07530-02211	TUBE PNEUMATIQUE EN ACCORDEON DES MACHOIRES D'AIGUILLE	1	-	52	07002-00153	RONDELLE PLASTIQUE M4	2	-
20	07154-00404	RESSORT	1	-	53	07530-02213	OBTURATEUR ARRIERE	1	-
21	07530-02800	ENSEMBLE PISTON DE MACHOIRES D'AIGUILLE	1	-	54	07530-02220	CLIP	1	-
22	07530-00206	BANDE DE FROTTEMENT	1	1	55	07007-00300	GACHETTE	1	-
23	07530-00204	LIMITEUR DE COURSE	1	-	56	07220-00803	RETENUE D'ETANCHEITE	1	-
24	07530-00203	PISTON	1	-	57	07125-00215	RESSORT	1	-
25	07530-02202	CARTER PRINCIPAL	1	-	58	07530-02311	LOGEMENT DE GACHETTE	1	-
26	07005-01973	CLAPET ANTI-RETOUR	1	-	60	07003-00022	JOINT TORIQUE	1	-
27	07005-01083	TUBE PLASTIQUE BLEU 4 mm DIAMETRE EXTERIEUR	350 mm	-	61	07241-00208	PIVOT	1	-
28	07532-02215	OBTURATEUR D'ETANCHEITE	1	-	63	07008-00414	ENSEMBLE FLEXIBLE HYDRAULIQUE	1	-
29	07005-01084	TUBE PLASTIQUE NOIR 4 mm DIAMETRE EXTERIEUR	220 mm	-	64	07003-00142	● JOINT COLLE	1	1
30	07530-00500	ENSEMBLE BOUCHON DE PURGE (ELEMENTS 64 à 67)	1	-	65	07003-00194	● JOINT COLLE	1	1
31	07530-02201	CANON	1	-	66	07001-00442	● VIS	1	-
32	07007-00017	CHAPEAU ANTIPOUSSIÈRE	1	-	67	07530-00501	● OBTURATEUR	1	-
					68	07530-00310	OBTURATEUR	2	-

# Intensificateur 07531-02200 - Entretien

## Instructions de Démontage

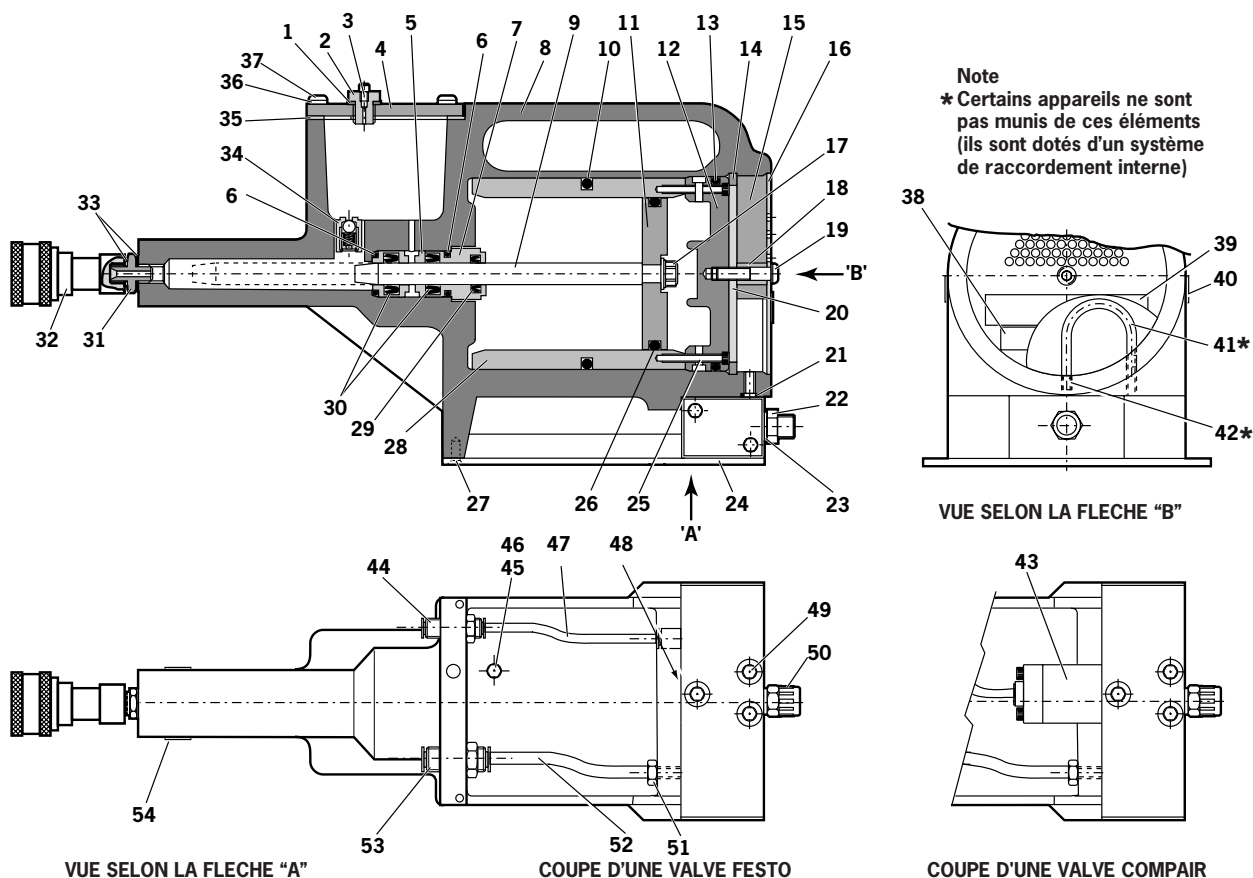
---

- Lors du démontage de l'ensemble intensificateur, commencer par débrancher l'alimentation pneumatique au raccord d'entrée **22** de l'intensificateur.
- A l'aide d'une clé Allen\*, desserrer les quatre vis **27** et enlever la plaque de protection **24**.
- Débrancher le flexible de gâchette (repères **22** page 66, **29** page 68) de la valve de l'intensificateur **43** ou **48** en enfonçant la collerette extérieure et en retirant le flexible.
- Enlever la plaque de fermeture **4** et le joint plat **35** en retirant les vis **37** et les rondelles **36** à l'aide d'une clé Allen\*.
- Vérifier que le joint plat n'est pas endommagé pour assurer une bonne étanchéité au remontage.
- Renverser l'ensemble intensificateur et vidanger l'huile du réservoir dans un récipient adapté.
- Retirer le raccord rapide **32** avec le raccord **31** et les joints **33**, à l'aide d'une clé adaptée\*.
- Retirer la valve de l'intensificateur **43** ou **48** en retirant les vis de fixation avec une clé adaptée en veillant à bien retenir le joint torique **21** dans le corps de l'intensificateur.
- Enlever la vis **19** à l'aide d'une clé Allen\* et déposer le capot de silencieux **16**, le silencieux en mousse **15**, l'entretoise **18** et la plaque de retenue **20**.
- Retirer le tube en plastique de 6 mm **41** des raccords de dépression **42**.
- A partir de la base de l'intensificateur, insérer une clé Allen\* de 3 mm à travers les deux trous et dévisser les raccords de dépression **42**. Note :
  - Faire attention. En effet, les raccords de dépression sont bloqués et collés au produit Loctite 574.
  - Si le retrait s'avère difficile, les raccords de dépression peuvent être percés à l'aide d'un foret de 4,7 mm de diamètre.
- Le remontage des raccords de dépression **42** s'effectue de la manière suivante :
  - Faire tremper les raccords de dépression dans un apprêt adapté, comme Perma Bond A905.
  - Placer une goutte de Loctite 574 dans le filetage de l'intensificateur.
  - A partir de la base de l'intensificateur, insérer la clé Allen\* à travers le trou. Vérifier que le produit Loctite 574 ne s'est pas répandu sur la clé Allen\* avant de l'insérer dans le raccord de dépression.
  - Faire pivoter la clé Allen en appliquant du produit Loctite 574 à la base du raccord de dépression.
  - Visser le raccord de dépression sur l'intensificateur, en vérifiant qu'une quantité de Loctite 574 suffisante pour cacher le filetage a été appliquée sur la base du raccord.
- A l'aide d'un tournevis, enlever avec précaution la bague de retenue interne **14**. Nettoyer et examiner la gorge en recherchant les traces de dégâts.
- Visser le côté fileté mâle de l'extracteur dans la plaque de fermeture **12** et extraire celle-ci avec le manchon d'intensificateur **28** et les joints toriques **10** et **13**.
- Insérer la tige\* à travers l'orifice du raccord, sur le devant du corps de l'intensificateur et faire sortir la tige de piston **9** et l'ensemble piston en tapotant.
- A l'aide d'une clé Allen\*, dévisser les deux vis **25** et enlever le capot d'extrémité **12** du manchon de l'intensificateur **28**.
- A l'aide d'une clé\*, enlever le bouchon **7**.
- Introduire la tige dans l'orifice du raccord avant du corps de l'intensificateur, et chasser le logement de joint 5 avec ses joints toriques et joints à lèvres.
- Déposer l'ensemble corps de valve **34** du carter principal à l'aide d'une clé\*. Nettoyer par un jet d'air à basse pression.
- Enlever la tige de piston **9** du piston pneumatique de l'intensificateur **11** en serrant les **20** premiers mm (3/4") dans un étoupe à mâchoires tendres, et en veillant à ne pas endommager ou marquer la surface fonctionnelle.
- Dévisser l'écrou de blocage **17** avec une clé\*.
- Remonter dans l'ordre inverse du démontage, en respectant les points suivants :
  - Nettoyer toutes les pièces et changer tous les joints toriques.
  - Lubrifier tous les joints à la graisse au bisulfure de molybdène.
  - L'ensemble corps de valve **34** doit être remonté avec application d'un produit d'étanchéité pour filetages.
  - Monter l'ensemble piston à l'aide d'un écrou **17** neuf.
- La plaque de fermeture **12** doit être montée correctement à l'intérieur de la bague de retenue interne **14**. Ne pas utiliser l'outil sans la plaque de fermeture.

### I M P O R T A N T

**Un plein d'huile est TOUJOURS nécessaire après démontage de l'outil et avant de l'utiliser.**

\* signale les éléments faisant partie du kit d'entretien 0753 Mk II. Voir page 61 la liste complète.  
Les numéros de repère en caractères **gras** renvoient à l'illustration et à la liste des pièces de la page opposée.



### LISTE DE PIECES 07531-00200

REPERE	REFERENCE	DESCRIPTION	QTE	RECHANGE	REPERE	REFERENCE	DESCRIPTION	QTE	RECHANGE
1	07003-00037	JOINT	1	1	28	07531-00201	MANCHON	1	-
2	07240-00211	VIS DE REMPLISSAGE	1	-	29	07003-00337	JOINT A LEVRE	1	1
3	07001-00418	VIS DE PURGE	1	1	30	07003-00336	JOINT A LEVRE	2	2
4	07240-00210	PLAQUE DE FERMETURE	1	-	31	07005-00406	RACCORD	1	-
5	71420-02006	LOGEMENT DE JOINT	1	-	32	07005-00759	RACCORD RAPIDE	1	-
6	07003-00153	JOINT TORIQUE	2	-	33	07003-00142	JOINT	2	1
7	71420-02007	BOUCHON	1	-	34	07240-00400	ENSEMBLE CORPS DE VALVE	1	-
8	71420-02300	ENSEMBLE CARTER PRINCIPAL	1	-	35	07240-00209	JOINT PLAT	1	1
9	71420-02008	TIGE DE PISTON	1	-	36	07002-00073	RONDELLE	4	1
10	07003-00182	JOINT TORIQUE	1	1	37	07001-00554	VIS	4	1
11	07531-00202	PISTON PNEUMATIQUE	1	-	38	07007-01504	ETIQUETTE	1	-
12	07531-00204	PLAQUE DE FERMETURE	1	-	39	07240-00217	ETIQUETTE	1	-
13	07003-00183	JOINT TORIQUE	1	1	40	07531-00205	ETIQUETTE	2	-
14	07004-00069	BAGUE DE RETENUE	1	1	41	07005-00596	* TUBE PLASTIQUE 6 mm	-	-
15	07240-00213	SILENCIEUX MOUSSE	1	1	42	07245-00103	* RACCORD DE DEPRESSION	2	-
16	07240-00214	CAPOT DE SILENCIEUX	1	-	43	07005-00590	VALVE COMPAIR	1	1
17	07002-00017	ECROU	1	1	44	07005-01431	RACCORD TRAVERSANT	1	1
18	07240-00215	ENTRETOISE	1	-	45	07005-00668	OBTURATEUR M5	1	-
19	07001-00417	VIS	1	1	46	07005-00670	BAGUE D'ETANCHEITE M5	1	-
20	07240-00216	PLAQUE DE RETENUE	1	-	47	07005-01084	TUBE PLASTIQUE 4 mm (150 mm)	-	-
21	07003-00042	JOINT TORIQUE	1	1	48	07005-01524	VALVE FESTO	1	-
22	07005-00041	RACCORD	1	-	49	07001-00176	VIS	3	-
23	07003-00065	RONDELLE	1	-	50	07007-00292	CHAPEAU ANTI-POUSSIERE BSP 1/4"	1	-
24	07240-00220	PLAQUE DE PROTECTION	1	-	51	07005-00647	RACCORD	1	-
25	07001-00375	VIS	2	-	52	07005-01085	TUBE PLASTIQUE 6 mm (150 mm)	-	-
26	07003-00238	JOINT TORIQUE	1	1	53	07005-00855	UNION TRAVERSANTE	1	-
27	07001-00396	VIS	4	-	54	07007-01503	ETIQUETTE	1	-

# Valve Pilote 07005-00590 - Entretien

## Instructions de Demontage

---

Prière de noter que ces instructions d'entretien se rapportent à la valve Compair, si montée.

Les interventions sur la valve se limitent à la dépose et au remplacement des joints toriques.

- Enlever les vis **24** et déposer l'ensemble valve pilote.
- Enlever le piston **11** et rebuter les joints toriques **3, 10, 4** et **5**.
- Déposer les vis **26** et **21** puis déposer les obturateurs **22** et **25**.
- Extraire les pistons **12** et **18** et enlever des pistons les joints toriques **7** et **9**.
- Extraire de l'alésage le tiroir **16**, en prenant soin de ne pas endommager sa surface, et enlever les rondelles de position **14** et **17**, le joint torique **8**, les entretoises **15** et le joint torique **6** de chaque côté du corps de la valve.
- Enlever les cinq joints toriques intermédiaires **4**.
- Jeter TOUS les joints toriques enlevés.
- Nettoyer toutes les pièces à la paraffine ou au white spirit. NE PAS EMPLOYER DE SOLVANTS. Sécher toutes les pièces.
- Enduire légèrement de graisse CENTOPLEX 2 les alésages du corps de valve **23**, le corps de valve pilote **19**, les deux obturateurs **22** et **25** et tous les joints toriques neufs.
- Monter les joints toriques neufs **10, 4** et **5** sur le piston **11** et l'insérer sur le corps de valve pilote.
- Monter les joints toriques neufs **3, 10** et **6** sur le corps de valve pilote, mettre en position le capuchon supérieur **20** et caler l'ensemble valve pilote sur le corps de la valve principale **23**, à l'aide des vis **24**. Veiller à ce que le logement du joint intermédiaire soit tourné vers le haut, G1/4 au fond. Vérifier la bonne orientation du piston **11**.
- Le corps de la valve principale **23** étant dans la même position, monter la rondelle de position verte **17** du côté gauche de l'ensemble valve.
- En partant du côté droit de la valve, monter alternativement les joints toriques **8** et les entretoises **15** (6 joints toriques et 5 entretoises) et terminer cet empilage par la rondelle de position blanche **14**.
- Enduire légèrement le tiroir **16** de graisse CENTOPLEX 2, fournie avec le kit d'entretien, et faire glisser le tiroir à travers l'empilage de joints toriques et d'entretoises.
- Monter les joints toriques **9** & **7** sur les pistons **18** & **12** respectivement ; monter les joints toriques **6** sur les extrémités du corps de la valve principale **23**.
- Introduire les pistons dans les obturateurs **25** et **22** et monter ceux-ci sur la valve en veillant à placer les pions des pistons dans les trous des extrémités du tiroir **16**.
- Fixer les ensembles obturateurs sur le corps de la valve principale **23** avec les vis **26** et **21**.
- Monter les joints toriques intermédiaires **4** dans leurs logements sur le corps de la valve principale.
- Si le raccord de tuyauterie d'arrivée à l'ensemble pilote est endommagé, changer la collerette plastique **2** et dégager le joint torique **1** de la cartouche **27**.
- Monter un joint torique **1** neuf, et enfoncer la collerette plastique **2** dans la cartouche **27**.

### I M P O R T A N T

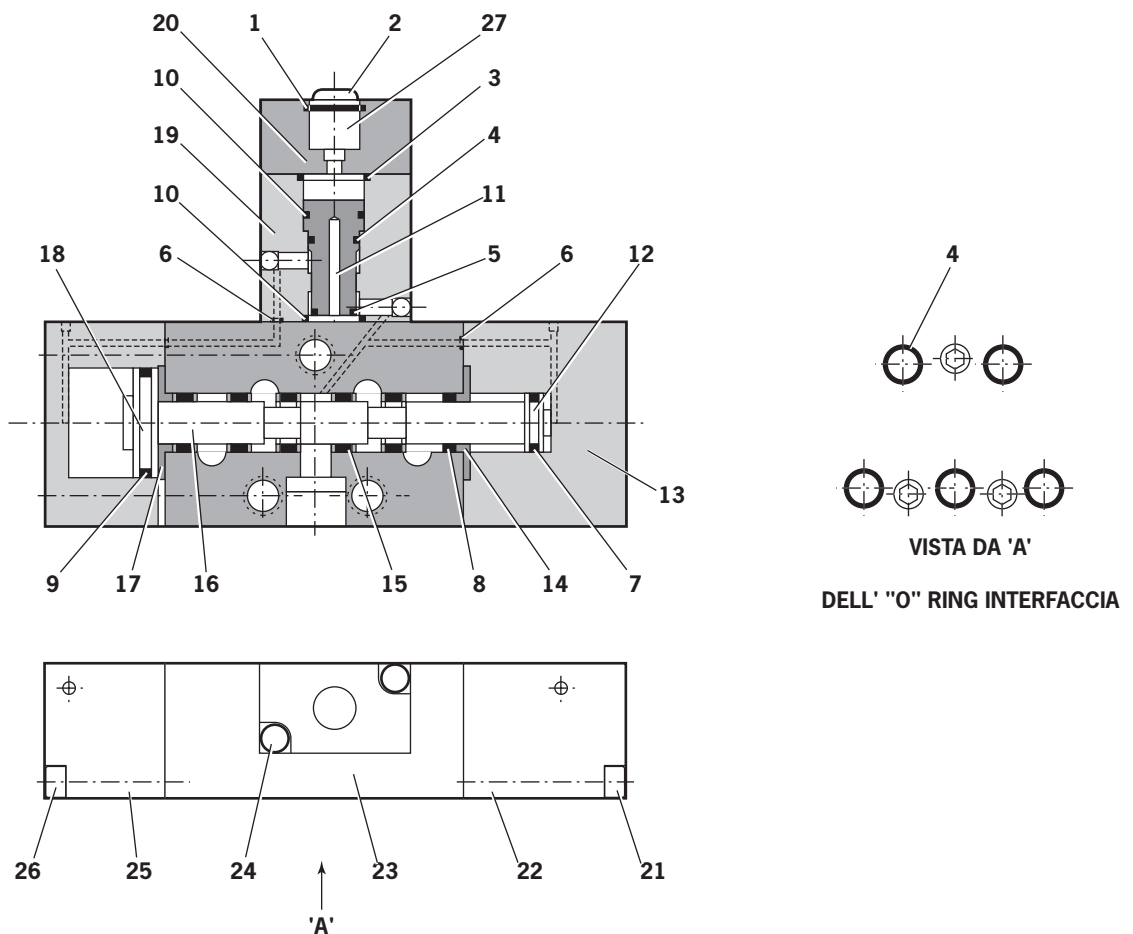
**Un plein d'huile est TOUJOURS nécessaire après démontage de l'outil et avant de l'utiliser.**

Les numéros de repère en caractères **gras** renvoient à l'illustration et à la liste des pièces de la page opposée.



# Valve Pilote 07005-00590 - Information sur les pièces Détachée

Français



ELENCO PARTI VALVOLA 07005-00590									
PART.	CODICE	DESCRIZIONE	QUANT.	RICAMBI	PART.	CODICE	DESCRIZIONE	QUANT.	RICAMBI
1	07005-00599	* ANELLO DI TENUTA	-	-	15	-	† DISTANZIATORE	5	-
2	07005-00598	* BUSSOLA DI CHIUSURA DI PLASTICA	-	-	16	-	† BOBINA	1	-
3	07003-00204	* "O" RING	1	-	17	-	† RONDELLA	1	-
4	07003-00103	* "O" RING	6	-	18	-	† PISTONE	1	-
5	07003-00042	* "O" RING	1	-	19	-	† CORPO	1	-
6	07003-00121	* "O" RING	4	-	20	-	† CAPPUCCIO SUPERIORE	1	-
7	08005-00127	* "O" RING	1	-	21	-	† VITE	2	-
8	07003-00105	* "O" RING	6	-	22	-	† CAPPUCCIO ESTREMITÈ	1	-
9	07003-00178	* "O" RING	1	-	23	-	† CORPO	1	-
10	07003-00017	* "O" RING	2	-	24	-	† VITE	2	-
11	-	† PISTONE	1	-	25	-	† CAPPUCCIO ESTREMITÈ	1	-
12	-	† PISTONE	1	-	26	-	† VITE	2	-
13	07005-00590	COMPLESSIVO VALVOLA	-	-	27	-	† CARTUCCIA	1	-
14	-	† RONDELLA	1	-					

\* Réunis, ces éléments composent le kit d'entretien de la valve, qui comprend également un tube de graisse CENTOPLEX 2. Ce kit est disponible chez Avdel sous la référence 07005-01538.

† Non-disponible en pièce détachée

# Plein d'huile

---

Le plein d'huile est TOUJOURS nécessaire après un démontage de l'outil et avant toute utilisation. Il peut également être utile pour restaurer la totalité de la course après une utilisation prolongée, si l'on constate que la course diminue et que les fixations ne sont pas complètement posées en une seule action sur la gâchette.

## Huile

---

Le fabricant préconise l'utilisation des huiles de plein Hyspin VG32 et AWS 32 disponibles en bidons de 0,5 l (référence 07992-00002) ou d'1 gallon (soit 4,5 litres - référence 07992-00006). Prière de consulter l'information de sécurité ci-dessous.

## Information de Sécurité Hyspin VG 32 et AWS 32 (Huile)

---

### Premiers Secours

PEAU:

Laver soigneusement, à l'eau et au savon, dès que possible. Un contact occasionnel ne requiert pas de soins immédiats. Un contact de courte durée ne requiert pas de soins immédiats.

INGESTION:

Faire appel immédiatement à des soins médicaux. NE PAS faire vomir le patient.

YEUX

Rincer immédiatement à l'eau courante pendant plusieurs minutes. Quoique cette huile ne soit pas très irritante, une légère irritation peut apparaître suite au contact.

### Incendie

Agents d'extinction appropriés : CO<sub>2</sub>, poudre sèche, mousse ou brouillard d'eau. NE PAS employer de jet d'eau.

### Environnement

MISE EN DECHARGE : Sur site homologué par les soins d'une société agréée. Peut être incinérée. Le produit usagé peut être recyclé.

PRODUIT REPANDU : Empêcher la contamination par le produit des évacuations, égouts et cours d'eau. Eponger avec une substance absorbante.

### Manipulation

Porter une protection oculaire, des gants imperméables (PVC, par exemple), et un tablier plastique. Employer dans des locaux bien aérés.

### Stockage

Pas de précautions particulières.

## Procédure de Plein D'huile

---

### I M P O R T A N T

**NE PAS ACTIONNER LA GACHETTE LORSQUE LA VIS DE PURGE EST RETIREE.**

**Toutes les opérations doivent être effectuées sur un établi propre, avec les mains propres, dans un local propre.**

**Veiller à ce que l'huile de rechange soit parfaitement propre et exempte de bulles d'air.**

**Des précautions DOIVENT être prises à tous moments pour éviter la pénétration de corps étrangers dans l'outil et tout risque consécutif de détérioration irréversible.**

- Enlever la vis **2** et le joint **1** de la plaque de fermeture en plastique **4** du réservoir de l'intensificateur.
- Verser l'huile dans le réservoir jusqu'à ce qu'elle arrive à environ 12 mm du sommet du réservoir.
- Remettre en place la vis **2** et le joint **1**.
- Raccorder l'intensificateur à l'alimentation pneumatique. Enlever la vis du réservoir.
- Le pistolet étant monté sur l'intensificateur et tenu au-dessous du niveau de ce dernier, dévisser de deux tours la vis de purge **58** de l'ensemble bouchon de purge **2** sur l'outil 07530 Mk II, ou la vis de purge **66** de l'ensemble bouchon de purge **30** sur l'outil 07532 Mk II et laisser l'huile s'écouler de l'outil.
- Lorsque l'huile s'écoule librement et sans bulles d'air, resserrer la vis de purge.
- Compléter le niveau d'huile du réservoir de l'intensificateur.
- Faire fonctionner l'outil jusqu'à ce que toutes les bulles d'air éventuellement présentes dans l'huile soient chassées vers le réservoir.

Les numéros de repère en caractères **gras** renvoient à la rubrique Assemblage générale et liste de pièces des pages 66-71.

Symptome	Cause Possible	Remede	Ref de Page
L'outil ne parvient pas à poser les fixations	Faible pression d'air	Augmenter la pression d'air	74
	Manque de lubrification	Lubrifier l'outil et son orifice d'entrée d'air	
	Force de mandrinage excessive	Vérifier la prise de la fixation et la taille du trou de l'application	
	Vérifier la taille de l'aiguille		
	Mâchoires d'aiguille usées ou brisées	Changer les mâchoires d'aiguille	
	Mâchoire d'aiguille désactivée	Activer la mâchoire d'aiguille	
	Présence d'air dans le circuit hydraulique	Voir "procédure de plein d'huile"	
Echappement de l'aiguille : les mâchoires ne saisissent pas l'aiguille	Mâchoires d'aiguille usées ou encrassées	Nettoyer ou changer selon les besoins	
	Pression ou débit d'air insuffisants	Augmenter la pression ou le débit d'air	
	L'interrupteur de serrage mâchoires ne fonctionne pas	Changer l'interrupteur	
	Fuites d'air aux mâchoires d'aiguille	Changer les joints toriques du piston <b>8</b>	
	Aiguille cassée et n'atteignant pas les mâchoires d'aiguille	Changer l'aiguille	
	Clapet anti-retour défectueux	Changer le clapet anti-retour	
Les mâchoires ne lâchent pas l'aiguille	Mâchoires d'aiguille ou carter porte-mâchoires encrassés	Nettoyer ou lubrifier	
	Interrupteur de mâchoires d'aiguille défectueux	Changer les joints toriques	
Défaut d'introduction des fixations dans le nez de pose	Mâchoires d'aiguille non activées	Activer les mâchoires d'aiguille	48
	Mâchoires d'aiguille usées	Changer les mâchoires d'aiguille	
	Mauvaise orientation du curseur mécanique	Remonter en rectifiant l'orientation	
	Curseur non valable	Monter le curseur qui convient	
	Mauvais nez de pose	Monter le bon nez de pose	
	Ressort de l'aiguille manquant	Monter le bon ressort d'aiguille	
	Mauvais jeu entre tête de fixation et nez de pose au chargement	Régler le jeu entre 1,5 et 3 mm.	
		Voir "Chargement de l'outil"	
	Curseur mécanique grippé	Nettoyer et huiler le curseur mécanique	
	Faiblesse du ressort extérieur entourant le curseur mécanique	Changer le curseur mécanique	
	Le ressort de l'aiguille n'est pas le bon	Monter le bon ressort d'aiguille	
Usure excessive de la mâchoire d'aiguille	Force de mandrinage excessive	Vérifier la taille du trou et l'épaisseur de l'application, et la capacité de prise des fixations	
Passage de plus d'une fixation à la fois	Echappement de l'aiguille	Mêmes vérifications que pour Echappement de l'aiguille	48
	Mauvais jeu entre tête de fixation et nez de pose au chargement	Régler le jeu entre 1,5 et 3 mm. Voir "Chargement de l'outil"	

Les autres symptômes ou pannes doivent être signalés à votre distributeur Avdel agréé ou centre de réparation le plus proche.

# Notes

---

# Déclaration de conformité

Nous, Avdel UK Limited; Watchmead Industrial Estate, Welwyn Garden City, Hertfordshire, AL7 1LY  
Royaume-Uni, déclarons sous notre seule responsabilité que le produit:

**Modèle 0753 MkII type 07530 - 07532 models**

N° de série de l'outil à main

N° de série de l'intensificateur

faisant l'objet de la présente déclaration est conforme aux normes suivantes :

EN ISO 12100 - parties 1 et 2

BS EN ISO 8662 - partie 6

BS EN ISO 3744

ISO EN 792 - partie 13-2000

BS EN ISO 11202

BS EN 982

BS EN 983

selon les dispositions de la Directive 98/37/EC concernant le rapprochement des législations des États membres  
relatives aux machines



A. Seewraj - Directeur, Services techniques de fabrication - outils d'automation

Date d'émission

[Redacted date field]



**Cette boîte contient un outil pneumatique en conformité  
avec la Directive sur les machines 98/37/EC.  
La "Déclaration de conformité" est jointe.**



# Inhaltsangabe

<b>Sicherheitsvorschriften</b>	80		
<b>Technische Daten</b>			
Technische Daten für Gerät 0753 Mk II	81		
Technische Daten für Druckübersetzer 07531	81		
<b>Arbeitsbereich</b>	82		
Geräteabmessungen	83		
<b>Inbetriebnahme</b>			
Druckluftversorgung	84		
Mechanische Rücklaufsperr	85		
Rücklaufsperr	86		
Laden und Nachladen des Gerätes	86-87		
Arbeitsvorgang	87		
Kennzeichnung und Lage der Nietdornfedern	88		
<b>Ausrüstungen</b>			
Mundstücke	89		
Auswahl eines Mundstücks	90		
Mundstückauswahltabellen	91-92		
Nietdorne and Nietdornfedern	93		
Chobert® und Grovit® Auswahltabellen	93-94		
Briv® Auswahltabellen	95-96		
Nietdornkopftypen und „P“-Länge	96		
Avlug®, Avsert®, Avtronic® und Rivscrew® Auswahltabellen	97		
<b>Instandhaltung des Gerätes</b>			
Täglich / wöchentlich	98		
Molythiumfett EP 3735 Sicherheitsdaten	98		
Werkzeugsatz	99		
		<b>Wartung</b>	
		Zerlegen von 07530-02200 MkII	100-101
		Zerlegen von 07532-02200 MkII	102-103
		Übersichtszeichnung und Ersatzteillisten 07530-02200 MkII	104-105
		Übersichtszeichnung und Ersatzteillisten 07532-02200 MkII	106-107
		Druckübersetzer 07531-02200	108-109
		Vorsteuerventil 07005-00590 Ersatzteillinformationen	110-111
		<b>Auffüllen</b>	
		Öl-einzelheiten	112
		Ölsicherheitsdaten für Hyspin VG 32 und AWS 32	112
		Auffüllvorgang	112
		<b>Beseitigen von Störungen</b>	
		Symptom, mögliche Ursache und Abhilfe	113

## Garantie

**Für die Installationswerkzeuge von Avdel wird eine Garantie von 12 Monaten gegen Defekte gewährt, die auf Material- oder Fabrikationsfehler zurückzuführen sind. Die Garantiezeit beginnt ab Lieferdatum, bestätigt auf der Rechnung oder dem Ieferschein.**

**Die Garantie gilt für den Anwender/Käufer, wenn das Installationswerkzeug von einer autorisierten Verkaufsstelle erworben wurde und es nur für den vorgesehen Zweck verwendet wird. Die Garantie wird hinfällig, wenn das Installationswerkzeug nicht entsprechend den Anweisungen in den Betriebs- und Wartungsanleitungen gewartet oder betrieben wurde oder in der Garantiezeit geöffnet wurde.**

**Bei Defekten oder Störungen repariert oder ersetzt Avdel nur fehlerhafte Komponenten nach eigenem Ermessen.**

# Sicherheitsvorschriften

---

**Diese Betriebsanleitung muss von den für die Installation, Verwendung und Wartung zuständigen Personen gelesen werden, wobei den folgenden Sicherheitsvorschriften besondere Aufmerksamkeit zu widmen ist.**

- 1 Nicht zweckentfremdet verwenden.
- 2 Das Handgerät und der Druckübersetzer wurden als Einzelkomponenten und als Kombination getestet. Sie dürfen nur zusammen und unter keinen Umständen für andere Zwecke verwendet werden.
- 3 Mit diesem Gerät/dieser Maschine keine anderen als die von Avdel empfohlenen und gelieferten Ausrüstungen verwenden.
- 4 Für jede vom Kunden durchgeführte Änderung an Gerät/Maschine, Mundstücken, Zubehör und anderen von Avdel oder von ihren Vertretern gelieferten Einzelteilen ist der Kunde alleine verantwortlich. Avdel wird Sie bei allen geplanten Veränderungen gerne beraten.
- 5 Das Gerät/die Maschine muss jederzeit in einem betriebssicheren Zustand gehalten und in regelmäßigen Zeitabständen von Fachpersonal auf Schäden und Funktion geprüft werden. Nur auf Avdel-Geräte geschultes Personal darf eine Wartung durchführen oder das Gerät zerlegen. Dieses Gerät/diese Maschine nicht ohne Nachschlagen in der Wartungsanleitung zerlegen. Geben Sie Avdel bitte Ihren Ausbildungsbedarf bekannt.
- 6 Das Gerät/die Maschine muss jederzeit entsprechend der Gesetzgebung über Gesundheitsschutz und Sicherheit betrieben werden. In Deutschland ist das Gerätesicherheitsgesetz anwendbar. Jede Frage über den ordnungsgemäßen Gerätebetrieb und die Sicherheit des Bedieners ist an Avdel zu richten.
- 7 Die beim Betrieb des Gerätes zu befolgenden Vorsichtsmaßnahmen sind durch den Kunden allen Bedienern zu erklären.
- 8 Trennen Sie bei allen Wartungsarbeiten, auch zum Wechseln von Mundstücken oder Ausrüstungen, das Gerät von der Druckluft.
- 9 Das Gerät/die Maschine nicht betreiben, während es/sie auf Personen oder den Bediener gerichtet ist.
- 10 Vor Betrieb des Gerätes/der Maschine immer einen festen Stand oder eine standfeste Position einnehmen.
- 11 Darauf achten, dass die Entlüftungslöcher nicht verstopft oder überdeckt werden und dass Schläuche stets im guten Zustand sind.
- 12 Der Betriebsdruck darf 7 bar nicht überschreiten.
- 13 Die Kombination von Niet, Nietdorn, Bohrungsgröße und Materialdicke muss den Spezifikationen von Avdel entsprechen.
- 14 Das Gerät darf nicht, falls nicht anderweitig ausdrücklich angegeben, ohne vollständige Ausrüstung betrieben werden.
- 15 Während des Einsatzes des Gerätes müssen Bediener und umstehende eine Schutzbrille tragen als Schutz gegen das Auswerfen eines Niets, das falsch gesetzt wurde. Wenn auf der Anwendung scharfe Ecken oder Kanten vorkommen, empfehlen wir das Tragen von Handschuhen.
- 16 Darauf achten, dass sich keine losen Kleidungsstücke, Krawatten, langes Haar, Reinigungslappen usw. in den beweglichen Teilen des Gerätes verfangen. Um den bestmöglichen Griff sicherzustellen, ist das Gerät trocken und sauber zu halten.
- 17 Während des Tragens des Gerätes von einem Ort zum anderen die Hände von Auslöser/Umlenkhebel fernhalten, um ein ungewolltes Anlaufen zu vermeiden.
- 18 Übermäßiger Hautkontakt mit Hydrauliköl muss vermieden werden. Um die Möglichkeit von Ausschlägen zu mindern, mit Vorsicht vorgehen und gründlich waschen.

## W I C H T I G

**Während die normale und korrekte Anwendung der Nietdorne zu einem geringen natürlichen Verschleiß sowie Markierungen führt, sind die Dorne in regelmäßigen Zeitabständen auf starke Verschleißanzeichen und Markierungen zu untersuchen, dabei sind Kopfdurchmesser, Spannbereich der Spannbacken am Schaft oder schwerer Narbenbildung am Schaft und irgendwelche Verziehungen am Nietdorn besondere Aufmerksamkeit zu widmen. Nietdorne, die während des Betriebs versagen, könnten aus dem Gerät geschleudert werden. Der Kunde trägt die Verantwortung sicherzustellen, dass Nietdorne rechtzeitig ersetzt werden, bevor übermäßiger Verschleiß auftritt sowie stets vor Erreichen der höchstzulässigen Anzahl von Nietungen. Wenden Sie sich bitte an Ihren Avdel Vertreter, der Ihnen den Wert mitteilt, nachdem er die Setzkraft Ihrer Anwendung mit einem kalibrierten Prüfgerät gemessen hat. Diese Prüfgeräte können auch unter der Artikelnummer 07900-09080 mit allen für das Prüfen erforderlichen Informationen gekauft werden.**



## Technische Daten für Gerät Typ 753 Mk II

---

<b>Betriebsdruck</b>	min./max.	5 - 7 bar (70 - 100 lbf/in <sup>2</sup> )
<b>Luftverbrauch</b>	bei 5,1 bar / 75 lbf/in <sup>2</sup>	2,6 l (,09 ft <sup>3</sup> )
<b>Hub</b>	min.	30 mm (1,18 in)
<b>Zugkraft</b>	bei 5,5 bar / 80 lbf/in <sup>2</sup>	3,89 kN (875 lbf)
<b>Taktzeit</b>	ca.	1 s
<b>Arbeitsgeräusch</b>	weniger als	70 dB(A)
<b>Gewicht</b>	Pistole	1,2 kg (2,64 lb)
<b>Schwingungen</b>	weniger als	2,5 m/s <sup>2</sup> (8 ft/s <sup>2</sup> )

## Technische Daten für Druckübersetzer 7531

---

<b>Betriebsdruck</b>	min./max.	5 - 7 bar (70 - 100 lbf/in <sup>2</sup> )
<b>Übersetzungsverhältnis</b>		32:1

# Arbeitsbereich

Das Druckluftgerät 0753 Mkl wurde für das Setzen von Avdel® Magazinrieten (ausgenommen 1/16" Avlug®) konstruiert. Es eignet sich deshalb ideal für die Serien- und Fließmontage mit den verschiedensten Einsatzzwecken in allen Industriezweigen.

Das Handgerät und der Druckübersetzer wurden als Einzelkomponenten und als Kombination getestet. Sie dürfen nur zusammen und für keine anderen Zwecke verwendet werden. Für Anschlussdetails siehe „Inbetriebnahme“ auf Seite 84.

Beide Modelle 7530 Mk II und 7532 Mk II sind leichte Handgeräte. Der einzige Unterschied ist die Anordnung des Schlauchanschlusses. Der obere Anschluß am Gerät 7532 Mk II erlaubt das Anhängen an eine zusätzliche Montageplatte (siehe gegenüberliegende Zeichnung). Die angegebenen Artikelnummern dienen zur Bestellung eines vollständigen Gerätes einschließlich Druckübersetzer und sämtliche Schläuche, jedoch ohne Ausrüstung.

Die Artikelnummer der Pistole für das 07530 Mkl Modell ist 07530-02200 und für das 07532 Mkl Modell ist die Artikelnummer 07532-02200. Siehe Übersichtszeichnungen auf den Seiten 104-107.

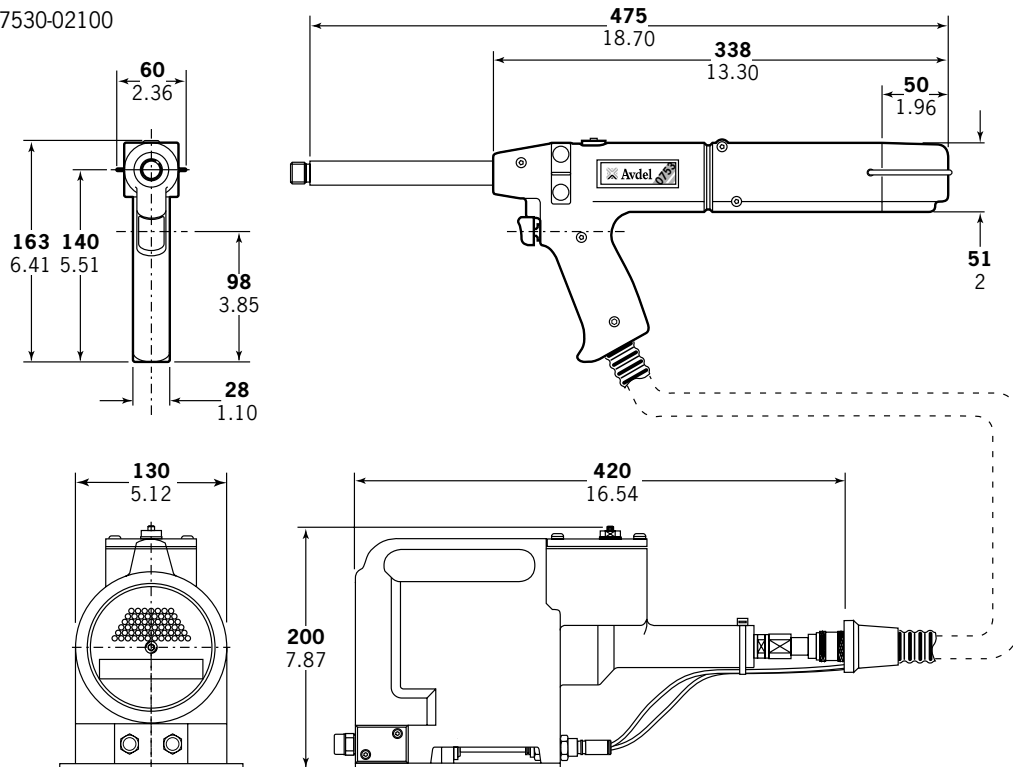
Beide Modelle setzen die gleichen Riete und beide eignen sich für die meisten Magazinriete entsprechend nachfolgender Tabelle.

Für beide Modelle wird dieselbe Mundstückausrüstung verwendet. Bei der Wahl von kompatiblen Teilen für Typ und Größe des für Ihre Anwendung verwendeten Nietes ist im Abschnitt Mundstückausrüstung in dieser Betriebsanleitung nachzuschlagen (Seiten 89-97). Die Mundstückabmessungen sind auf den Seiten 90 angegeben.

NIETBEZEICHNUNG	NIETGRÖSSE											
	2,4mm	3,2mm	4,0mm	4,8mm	6,4mm	2,5mm 2,8mm	3mm	3,5mm	4mm	6mm	M2.5 4-40 UNC	M3 6-32 UNC
CHOBERT®	●	●	●	●	●							
GROVIT®	●	●	●	●								
AVLUG®	●	●										
BRIV®	●	●	●	●						●		
RIVSCREW®						●	●	●	●			
AVTRONIC®						●						
AVSERT®											●	●

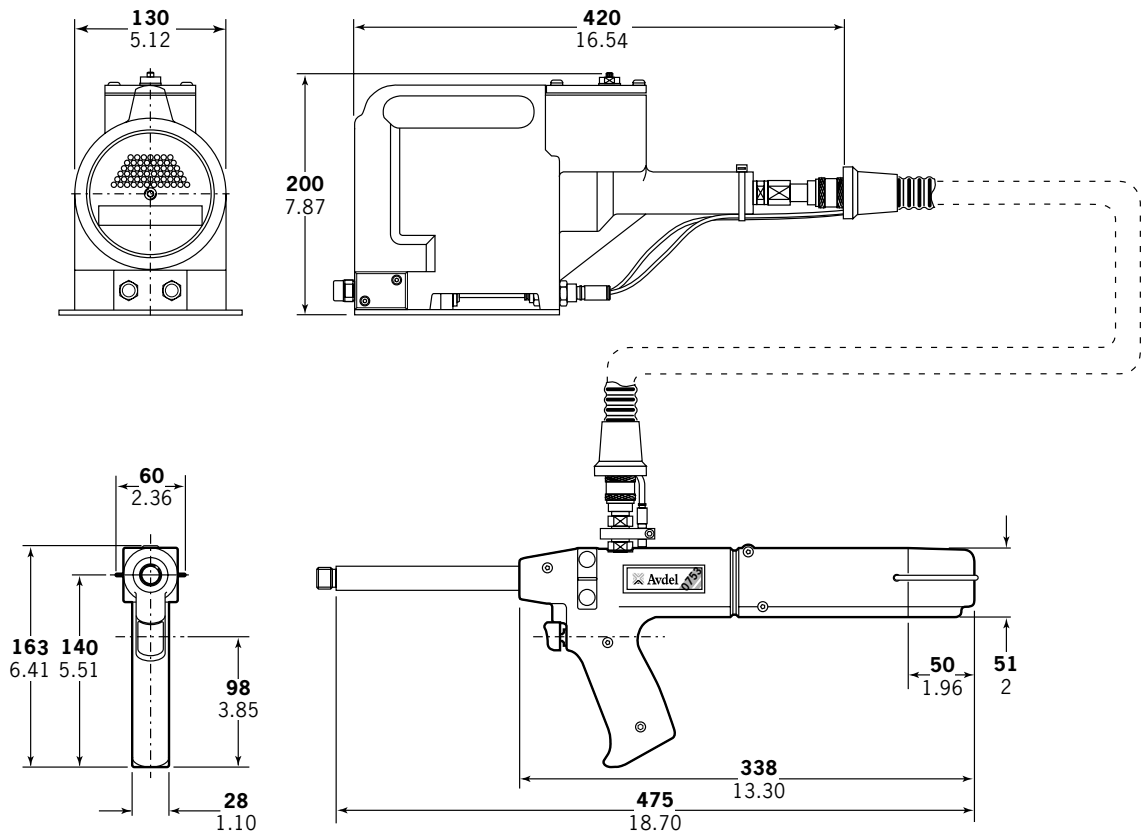
## Geräteabmessungen - Modell 07530 MkII

Artikelnummer 07530-02100



## Geräteabmessungen - Modell 07532 MkII

Artikelnummer 07532-02100



Die in **Fettdruck** angegebenen Maße sind mm, die anderen Maße sind Zoll.

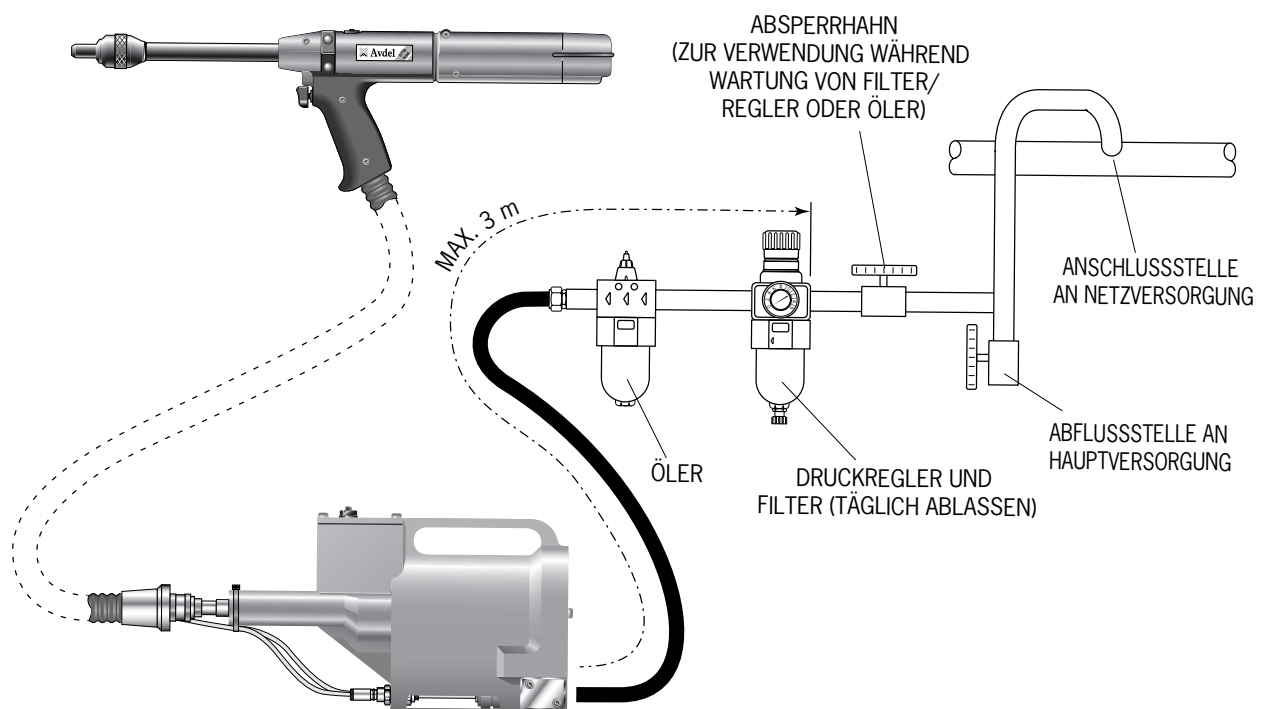
# Inbetriebnahme

## Druckluftversorgung

Der Betrieb aller Geräte erfolgt durch Druckluft mit einem optimalen Druck von 5,5 bar. Wir empfehlen den Einsatz von Druckreglern und automatischen Öl-/Filtersystemen für die Hauptdruckluftversorgung. Um die maximale Standzeit des Gerätes und einen minimalen Wartungsaufwand sicherzustellen, sollte die Aufbereitung innerhalb von 3 m vom Gerät erfolgen (siehe nachstehendes Diagramm).

Die Druckluftversorgungsschläuche sollten für einen min. Nenndruck von 150 % des im System erzeugten Höchstdrucks oder 10 bar, je nachdem, was der höhere Wert ist, ausgelegt werden. Druckluftschläuche sollten ölfest sein, eine abriebfeste Hülle besitzen und, wo Betriebsbedingungen zu Schäden führen können, bewehrt sein. Alle Druckluftschläuche MÜSSEN eine min. lichte Weite von 6,4 mm oder 1/4" haben.

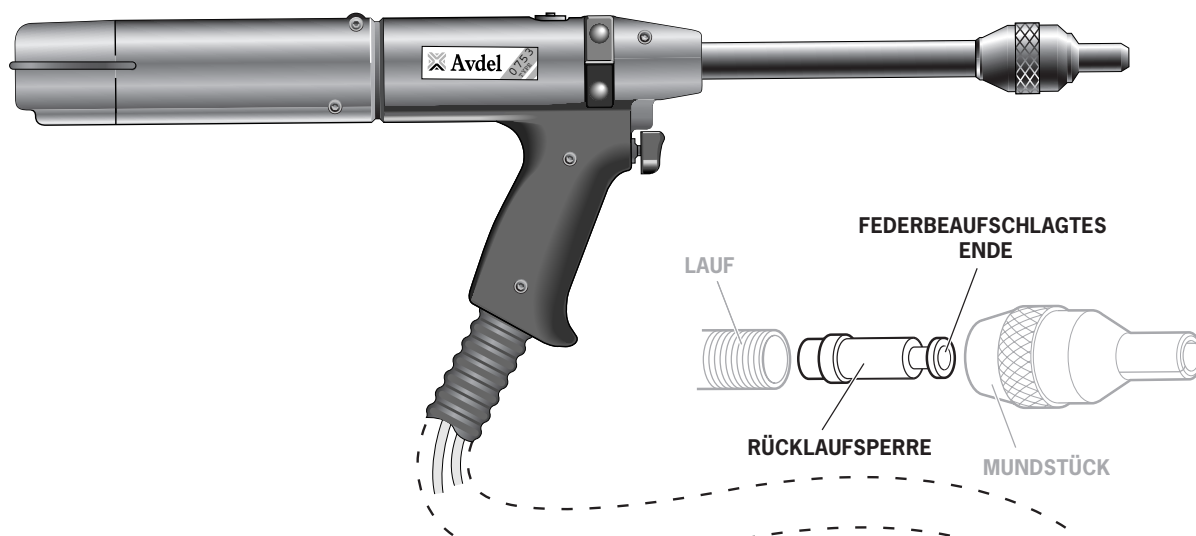
Für Einzelheiten zur täglichen Instandhaltung siehe Seite 98.



Beim Anschluß des Geräts an den Druckübersetzer und die Hauptdruckluftversorgung die nachstehenden Arbeitsvorgänge befolgen:

- Das Ende des dicken Schlauchs vom Gerät an die Steckkupplung vorne am Druckübersetzer anschließen.
- An der Frontplatte des Druckübersetzers:
  - Die blaue Pneumatikleitung (4 mm AD) in den Reduzierfitting im linken Trennwandanschluss drücken.
  - Die schwarze Pneumatikleitung (4 mm AD) in den Kunststoffklemmring des rechten
- Einen Pneumatikschlauch zwischen Außengewindeanschluss an der Rückseite des Druckübersetzers und der Hauptluftversorgung anschließen.

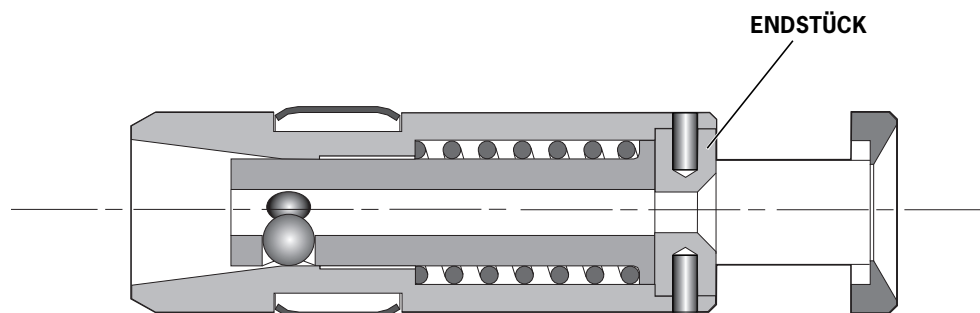
## Mechanische Rücklaufsperr



Es gibt drei verschiedene Ausführungen der mechanischen Rücklaufsperr:

- 07271-01100 Für Standardnietdorne und 5/32 Zoll Einwegdorne bestimmt
- 07279-05843 Für 1/8 Zoll Einwegdorne bestimmt
- 07279-05845 Für 3/16 Zoll Einwegdorne bestimmt

Der Unterschied zwischen den oben genannten Rücklaufsperrn ist der Innendurchmesser des Endstückes.



Sie sind farblich gekennzeichnet:

MECHANISCHE RÜCKLAUFSPERRE ARTIKEL-NR.	ENDSTÜCK ARTIKEL-NR.	FARBE	LOCHDURCHMESSER (mm)
07271-01100	07150-00402	STAHLFARBIG	2.7
07279-05843	07159-05844	GOLD	2.2
07279-05845	07159-05846	SILBER	3.3

# Inbetriebnahme

## Rücklaufsperr

### WICHTIG

**Bei falschem Einbau macht die Rücklaufsperr die Zuführung der Niete unmöglich.**

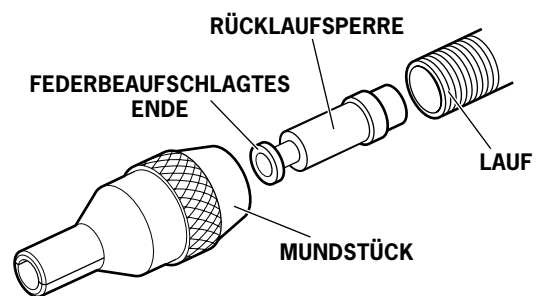
Obgleich die Rücklaufsperr bei Lieferung des Gerätes richtig herum eingebaut wurde, empfehlen wir vor Anbau der Ausrüstung ihre Einbaulage zu prüfen. Das federbeaufschlagte, etwas konkave Ende der Rücklaufsperr sollte nach vorne zum Gerät gerichtet sein (siehe nachstehende Abbildung).

Bei Einbau in korrekter Lage gleitet die Rücklaufsperr leicht aus dem Lauf, nachdem der Nietdorn in seine Mitte gedrückt und dann zurückgezogen wird.

Um die Rücklaufsperr umzudrehen, wie folgt vorgehen:

Die **fettgedruckten** Positionsnummern verweisen auf die Übersichtszeichnung und Ersatzteilliste für Typ 07530-02200 Mk II auf Seite 104-105. Für Typ 07532-02200 Mk II wird das gleiche Verfahren angewendet, jedoch sind die Teilnummern der Übersichtszeichnung und der Ersatzteilliste auf den Seiten 106-107 zu entnehmen.

- Klemmfeder **47** entfernen und hintere Kappe **38** herunterschieben.
- Mit Hilfe eines Innensechskantschlüssels eine Kopfschraube **44** entfernen, dabei sicherstellen, daß sämtliche eingeschlossene Luft abgelassen wurde. Die zweite Kopfschraube **44** entfernen.
- Endstück **46** herausziehen.
- Spannbackenkolben **14** zusammen mit Spannbacken **9** herausziehen.
- Feder **13** und Spannbackenpatrone **8** herausheben.
- Einen Dorn in das Loch im hinteren Ende vom Lauf **25** einführen, bis er vorne aus dem Lauf hervorsteht. Dann Dorn und Rücklaufsperr zusammen von vorne herausziehen.
- Der Zusammenbau der Teile erfolgt in umgekehrter Reihenfolge.
- Mechanische Rücklaufsperr **5** richtig herum vorne in den Lauf einsetzen.



## Laden und Nachladen des Gerätes

### WICHTIG

**Das Laden des Gerätes und der Anbau der Ausrüstung am Gerät sind ein integrierte Vorgang.**

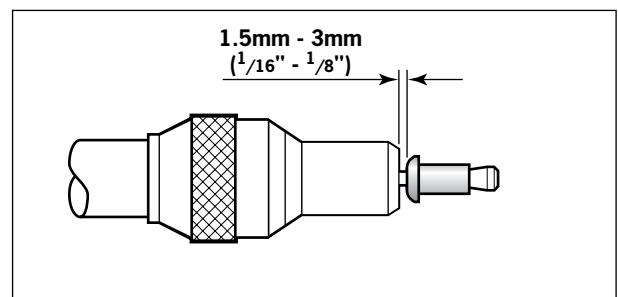
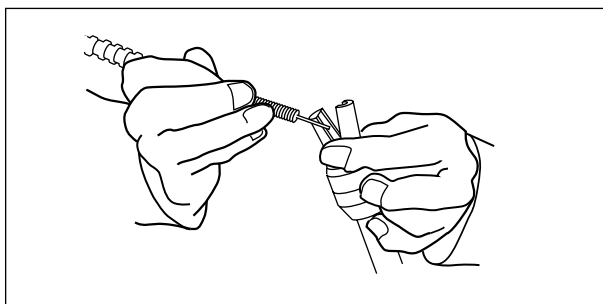
Nach Bestellung eines vollständigen Gerätes oder Systems wird gewöhnlicherweise die zu den zu setzenden Niete passende Ausrüstung mitgeliefert. Um die Teile der Ausrüstung zu erkennen oder die korrekten Bauteile zu wählen, siehe Abschnitt über Ausrüstung auf Seite 89-97.

Wenn ein Mundstück, Nietdorne und Nietdornfedern geliefert wurden, ist mit dem Laden des Gerätes und Anbau der Ausrüstung, wie auf der nächsten Seite angegeben, fortzufahren.

Die **fettgedruckten** Positionsnummern verweisen auf die Übersichtszeichnung und Ersatzteilliste für Typ 07530-02200 Mk II auf Seite 104-105. Für Typ 07532-02200 Mk II wird das gleiche Verfahren angewendet, jedoch sind die Teilnummern der Übersichtszeichnung und der Ersatzteilliste auf den Seiten 106-107 zu entnehmen.

## Laden des Gerätes

- Die Druckluftversorgung am Gerät anschließen.
- Die Spannbacken **9** zum Spannen des Dorns öffnen. Zu diesem Zweck das Schaltventil abschalten (Pos. **26** und **30**).
- Das gewählte Mundstück auf den Lauf **25** des Gerätes aufschrauben.
- n Einen Nietdorn durch das Papiermagazin gegen das hintere Ende der Niete einsetzen.
- Die Nietdornfeder auf den Nietdorn schieben, wobei auf die korrekte Lage zu achten ist, wie in der Tabelle auf Seite 88 gezeigt.
- Das hintere Ende des Nietdorns ergreifen und das Papiermagazin am Umfang der Niete abreißen.
- Die Mundstücke durch Drehen des äußeren Rings auf den nockenbetätigten Backen oder durch Nachaußendrücken der Backenenden öffnen (siehe linkes Bild).
- Den vorher zusammengebauten Nietdorn, die Nietdornfeder und die Niete in das Mundstück einsetzen, bis der erste zu setzende Niet aus dem Mundstück hervorsteht.
- Die Mundstücke schließen und derart einstellen, daß das erste Niet etwa 1,5 bis 3 mm hervorsteht (siehe rechtes Bild).
- Spannbacken schließen, damit das Greifen des Nietdorns erfolgen kann. Zu diesem Zweck das Schaltventil einschalten (Pos. **26** und **30**).



## Nachladen des Gerätes

- Spannbacken **9** des Gerätes öffnen.
- Mundstück öffnen. Den leeren Nietdorn und die Nietdornfeder aus dem Gerät ziehen.
- Das Nachladen des Gerätes erfolgt entsprechend vorstehenden Anweisungen (mit Stufe n beginnen).

## Arbeitsvorgang

### WICHTIG

**Bevor das Gerät betätigt wird, ist es unerlässlich die korrekte Montage von Rücklaufsperrung und Ausrüstung zu prüfen.**

- Das aus dem Mundstück hervorstehende Niet vollständig in das Werkstückloch eindrücken, dabei auf rechtwinklige Lage des Gerätes achten.
- Den Auslöser betätigen und nicht loslassen. Der Nietdornkopf wird durch den Niet gezogen und verformt den Niet im Werkstück.
- Gerät entfernen.
- Auslöser loslassen. Das nächste Niet wird automatisch durch die Mundstücke geführt und ist zum Setzen bereit.

Die **fettgedruckten** Positionsnummern verweisen auf die Übersichtszeichnung und Ersatzteilliste für Typ 07530-02200 Mk II auf Seite 104-105. Für Typ 07532-02200 Mk II wird das gleiche Verfahren angewendet, jedoch sind die Teilnummern der Übersichtszeichnung und der Ersatzteilliste auf den Seiten 106-107 zu entnehmen.

# Inbetriebnahme

KENNZEICHNUNG UND LAGE DER NIETDORNFEDERN				
BEZEICHNUNG		MUNDSTÜCK (SIEHE ABSCHNITT ÜBER AUSTRÜSTUNG)	NIETDORN- GRÖSSE	NIETDORN-/NIETDORNFEDERN- UND NIETBAUGRUPPE
NIET	GRÖSSE			
BRIV®	3/32"	STANDARDSPITZ	ALLE	
	3/32"	ABGESETZT UND ABGESETZT, MIT DREHÖFFNER	ALLE	
	1/8"	ALLE	ALLE	
	5/32"	ALLE	ALLE	
	3/16"	ALLE	ALLE	
	6mm	ALLE	ALLE	
CHOBERT® AVLUG® GROVIT®	3/32"	ALLE AUSSER STANDARDSPITZ, ABGESETZT	ALLE	
	3/32"	STANDARDSPITZ, ABGESETZT	ALLE	
	1/8"	ALLE	ALLE	
CHOBERT® GROVIT®	5/32"	ALLE	ALLE AUSSER 3. ÜBERMASS	
	5/32"	ALLE	3. ÜBERMASS	
	3/16"	ALLE	ALLE AUSSER 2. ÜBERMASS	
	3/16"	ALLE	2. ÜBERMASS	
CHOBERT®	1/4"	ALLE	ALLE	
RIVSCREW®	2.8mm	ALLE	ALLE	
	3mm	ALLE	ALLE	
	3.5mm	ALLE	ALLE	
	4mm	ALLE	ALLE	
AVSERT®	2.5mm	ALLE	ALLE	
	4 x 40 UNC	ALLE	ALLE	
	3mm 6 x 32 UNC	ALLE	ALLE	
AVTRONIC®	2.5mm	ALLE	ALLE	
	2.8mm	ALLE AUSSER ABGESETZT	ALLE	
	2.8mm	ABGESETZT	ALLE	



Auf Magazinrietgeräten wie Modell 0753 Mk II besteht die Ausrüstung stets aus drei Komponenten: einem Mundstück, einem Nietdorn und einer Nietdornfeder. Diese drei Teile müssen zum gesetzten Niet und zum Lochdurchmesser passen.

## W I C H T I G

**Um ein vollständiges Zerlegen des Gerätes zu vermeiden, ist es notwendig, die Orientierung der Rücklauf Sperre vor Einbau der Ausrüstung zu prüfen (siehe Abschnitt "RÜCKLAUFSPERRE" auf Seite 85).**

**Der Einbau der korrekten Ausrüstung ist von größter Bedeutung, um das wirksame Setzen des Niets und den SICHEREN Betrieb des Gerätes zu gewährleisten. DIE SICHERHEITSVORSCHRIFTEN auf Seite 80 sorgfältig LESEN.**

Um die Ausrüstung für Ihr Gerät korrekt zusammenzustellen, zunächst ein Mundstück nach Lesen des nachfolgenden Abschnitts wählen und dann im Abschnitt über Nietdorne nachschlagen, um die Teilnummern für den Nietdorn und für die Nietdornfeder zu wählen. Nietdorne und Nietdornfedern sind auf Seite 88 abgebildet.

Zum Einbau der Ausrüstung den Vorgang "Laden des Gerätes" auf Seite 87 befolgen.

## Mundstücke

### W I C H T I G

**Ein falsches Mundstück könnte zu einem falsch gesetzten Niet oder einer falschen Klemmung führen.**

Mundstücke können in die sieben gegenüberliegend gezeichneten Grundformen eingeteilt werden, obgleich die inneren Abmessungen entsprechend dem zu setzenden Niet unterschiedlich sein können. Genaue auf die Buchstaben in den gegenüberliegenden Bildern bezogenen Abmessungen sind in den "MUNDSTÜCK-AUSWAHLTABELLEN" auf Seite 91-92 angegeben.

Für eine besondere Form stehen verschiedene Ausführungen des Endstücks zur Verfügung, um vorteilhaften Zugang oder ein verbessertes Setzen des Niets zu erreichen.

### Flach

- Die normale Form des Endstücks aller Mundstücke.
- Für alle Anwendungen ohne Zugangseinschränkung geeignet.

### Für erhöhte Klammerkraft

- Zur Verwendung mit Universalkopf-Chobert®-Niete geeignet.
- Kann auch mit Briv®-Nieten verwendet werden, um die bestmögliche Klemmung zu erzielen. Hinweis: Es ist zu beachten, daß hierdurch der max. Spannbereich der Briv®-Niete etwa um 0,4 mm verringert wird.

### Gesenkt

- NUR für die Verwendung von Briv®-Nieten.
- Ergibt eine höhere Klammerkraft als ein flaches Endstück, jedoch eine geringere als ein Universalendstück ohne Minderung des Spannbereichs des Niets.

### Spitz

- Verfügbar entsprechend den Angaben in den "Mundstück-Auswahltabellen".
- Erlaubt bessere Zugänglichkeit als ein flaches Endstück bei gleichem Setzbereich.

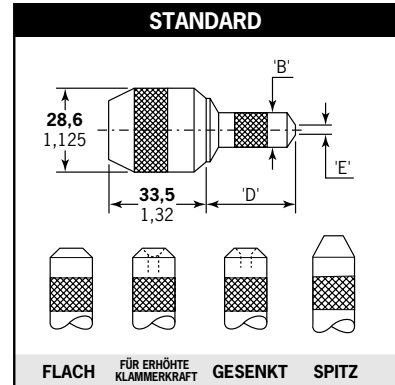
### Kopfformend

- NUR für die Verwendung mit Rivscrew®-Nieten.
- Verformt die Nietköpfe, um eine gute Klemmung zu erreichen.

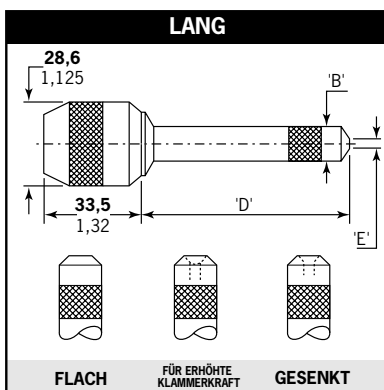
# Ausrüstungen

## Auswahl eines Mundstücks

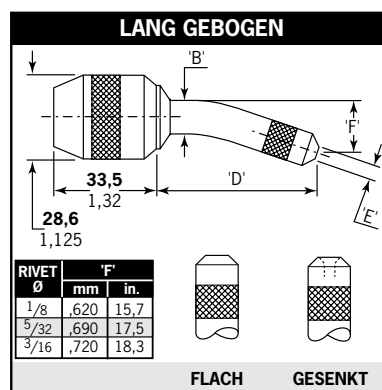
- Bezeichnung, Größe und Werkstoff des zu setzenden Niets auflisten.
- Dieses Niet in der ersten Spalte der Mundstück-Auswahltabellen aussuchen (auf Seite 91 bei Verwendung von Zollmaßen und auf Seite 92 bei Verwendung von metrischen Einheiten).
- In der Tabelle nach rechts gehen und die zur Verfügung stehenden Mundstücke notieren. NUR die angegebenen Mundstücke stehen zur Verfügung.
- Entsprechend der Mundstückzeichnung das am besten für die Anwendung geeignete Mundstück auswählen. Wenn bei der Anwendung keine Zugangsbeschränkungen bestehen, sollten Sie die Standardform mit flachem Ende mit oder ohne Drehöffner wählen.



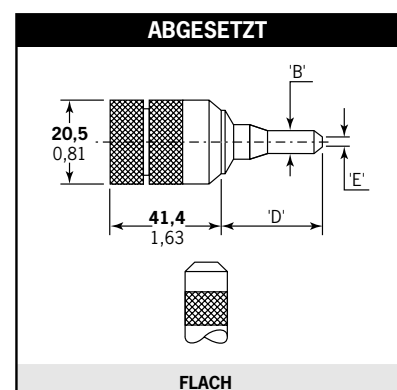
Vier verschiedene Formen des Endstücks stehen zum Setzen aller Niets zur Verfügung (außer Rivscrew). Für Anwendung mit keiner oder wenig Zugangsbeschränkung geeignet.



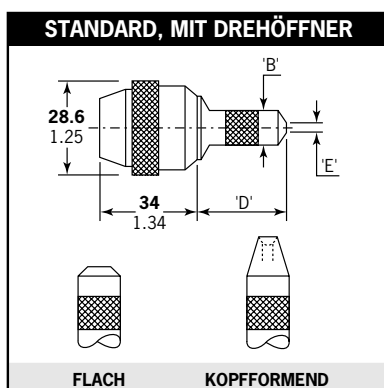
Für das Setzen der meisten Niets geeignet. Erlaubt größere Eindringtiefe bei Anwendungen ohne weitere Zugangsbeschränkung.



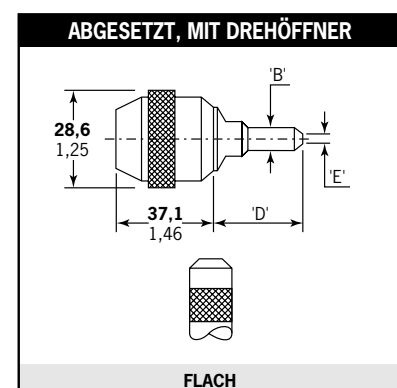
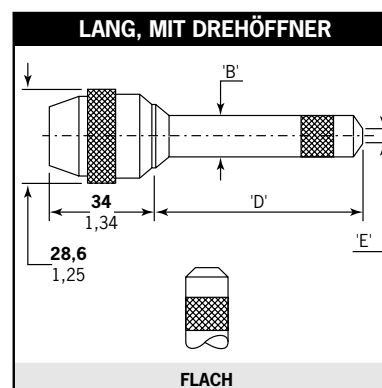
Wie in der MUNDSTÜCK-AUSWAHLTABELLE angegeben erhältlich. Erlaubt eine größere Eindringtiefe bei Anwendungen mit beschränktem Zugang. Nietdorne sind von Hand zu biegen, um sie der Form der Backe anzupassen.



Wie in der MUNDSTÜCK-AUSWAHLTABELLE angegeben erhältlich. Erlaubt Zugang in schwer zugänglichen Anwendungen.



Wie in der umseitigen MUNDSTÜCK-AUSWAHLTABELLE angegeben erhältlich. Für die gleichen Funktionen wie die Standard sowie schwer zugängliche Ausführung mit einem zugefügten Drehöffner, um das Öffnen des Mundstücks und somit das Magazinnachladen zu erleichtern und zu beschleunigen.



Die in **Fettdruck** angegebenen Maße sind mm, die anderen Maße sind Zoll.

## Auswahl des Mundstücks - Zollmass

Die Spalte "BEZ.-NR." verweist auf die Spalte "BEZ.-NR." im Abschnitt über Nietdorne. Sie kennzeichnet den für ein besonderes Mundstück mit einem spezifischen Niet erforderlichen Nietdorn sowie die Nietdornfeder.

BLINDNIET	BEZ.-NR.	MUNDSTÜCK				BEZ.-NR.	MUNDSTÜCK					
		TYP UND FORM DES ENDSTÜCKS	TEILNR.	MASSE			TYP UND FORM DES ENDSTÜCKS	TEILNR.	MASSE			
				'B'	'D'	'E'				'B'	'D'	'E'
3/32" CHOBERT® & GROVIT	1	STANDARD - FLACH	07150-03003	,36	1,30	,16	1	# STANDARD - FÜR ERHÖHTE KLAMMERKRAFT	07150-03203	,36	1,33	,24
	1	STD MIT DREHÖFFNER - FLACH	07170-04500	,36	1,30	,16	1	ABGESETZT MIT DREHÖFFNER	07177-03003	,20	1,18	,16
	2	STANDARD - SPITZ	07170-03103	,36	1,30	,16	3	ABGESETZT	07274-01000	,22	1,07	,16
	4	LANG - FLACH	07150-04003	,41	2,30	,16	4	LANG GEBOGEN - FLACH	07150-05003	,41	2,28	,16
1/8" CHOBERT® & GROVIT	5	STANDARD - FLACH	07150-03004	,41	1,18	,20	5	# STANDARD - FÜR ERHÖHTE KLAMMERKRAFT	07150-03204	,41	1,22	,32
	5	STANDARD - SPITZ	07170-03104	,41	1,19	,20	5	STD MIT DREHÖFFNER - FLACH	07170-04600	,41	1,18	,20
	6	LANG - FLACH	07150-04004	,41	2,18	,20	6	# LANG - FÜR ERHÖHTE KLAMMERKRAFT	07150-04204	,41	2,22	,30
	6	LANG GEBOGEN - FLACH	07150-05004	,41	2,12	,20	6	LANG MIT DREHÖFFNER - FLACH	07170-05000	,41	2,18	,20
5/32" CHOBERT® & GROVIT	7	STANDARD - FLACH	07150-03005	,48	1,30	,24	7	# STANDARD - FÜR ERHÖHTE KLAMMERKRAFT	07150-03205	,48	1,35	,41
	7	STANDARD - SPITZ	07150-03105	,44	1,30	,24	7	STD MIT DREHÖFFNER - FLACH	07170-04700	,48	1,30	,24
	8	LANG - FLACH	07150-04005	,48	2,30	,24	8	# LANG - FÜR ERHÖHTE KLAMMERKRAFT	07150-04205	,48	2,35	,42
	8	LANG GEBOGEN - FLACH	07150-05005	,48	2,23	,24	8	LANG MIT DREHÖFFNER - FLACH	07170-05100	,48	2,30	,24
3/16" CHOBERT® & GROVIT	9	STANDARD - FLACH	07150-03006	,56	1,18	,33	9	# STANDARD - FÜR ERHÖHTE KLAMMERKRAFT	07150-03206	,56	1,24	,47
	9	STANDARD - SPITZ	07150-03106	,56	1,18	,33	9	STD MIT DREHÖFFNER - FLACH	07170-04800	,56	1,18	,33
	10	LANG - FLACH	07150-04006	,56	2,30	,33	10	# LANG - FÜR ERHÖHTE KLAMMERKRAFT	07150-04206	,56	2,39	,48
	10	LANG GEBOGEN - FLACH	07150-05006	,56	2,21	,33	10	LANG MIT DREHÖFFNER - FLACH	07170-05200	,56	2,30	,33
1/4" CHOBERT®	11	STANDARD - FLACH	07150-03008	,64	1,18	,39	11	STD MIT DREHÖFFNER - FLACH	07170-04900	,64	1,18	,39
	12	LANG - FLACH	07150-04008	,64	2,18	,39	12	LANG MIT DREHÖFFNER - FLACH	07170-05300	,64	2,18	,39
3/32" BRIV® Nur Messing	13	STANDARD - SPITZ	07170-03103	,36	1,30	,15	14	ABGESETZT MIT DREHÖFFNER	07177-03003	,20	1,18	,16
	14	ABGESETZT	07274-01000	,22	1,07	,16	-	-	-	-	-	-
1/8" BRIV® Alu-Legierung, Messing, Stahl	15	STANDARD - FLACH	07150-03004	,41	1,18	,20	15	STANDARD - GESENKT	07170-03004	,41	1,20	,30
	15	STANDARD - SPITZ	07170-03104	,41	1,19	,20	16	LANG - FLACH	07150-04004	,41	2,18	,20
	16	LANG - GESENKT	07170-03204	,41	2,18	,30	16	LANG GEBOGEN - FLACH	07150-05004	,41	2,12	,20
	16	LANG GEBOGEN - GESENKT	07170-03304	,41	2,12	,30	-	-	-	-	-	-
5/32" BRIV® Alu-Legierung, Messing, Stahl	17	STANDARD - FLACH	07150-03005	,48	1,30	,24	17	STANDARD - GESENKT	07170-03005	,48	1,32	,41
	18	LANG - FLACH	07150-04005	,48	2,30	,24	18	LANG - GESENKT	07170-03205	,48	2,30	,41
	18	LANG GEBOGEN - FLACH	07150-05005	,48	2,23	,24	18	LANG GEBOGEN - GESENKT	07170-03305	,48	2,23	,41
5/32" BRIV® Nur rostfreier Stahl	19	STANDARD - FLACH	07150-03005	,48	1,30	,24	19	STANDARD - GESENKT	07170-03005	,48	1,32	,41
	20	LANG - FLACH	07150-04005	,48	2,30	,24	20	LANG - GESENKT	07170-03205	,48	2,30	,41
	20	LANG GEBOGEN - FLACH	07150-05005	,48	2,23	,24	20	LANG GEBOGEN - GESENKT	07170-03305	,48	2,23	,41
3/16" BRIV® Alu-Legierung, Messing, Stahl	21	STANDARD - FLACH	07150-03006	,56	1,18	,33	21	STANDARD - GESENKT	07170-03006	,56	1,20	,47
	22	LANG - FLACH	07150-04006	,56	2,30	,33	22	LANG - GESENKT	07170-03206	,56	2,30	,47
	22	LANG GEBOGEN - FLACH	07150-05006	,56	2,21	,33	22	LANG GEBOGEN - GESENKT	07170-03306	,56	2,21	,47
3/16" BRIV® Nur rostfreier Stahl	23	STANDARD FLACH	07150-03006	,56	1,18	,33	23	STANDARD - GESENKT	07170-03006	,56	1,20	,47
	24	LANG - FLACH	07150-04006	,56	2,30	,33	24	LANG - GESENKT	07170-03206	,56	2,30	,47
	24	LANG GEBOGEN - FLACH	07150-05006	,56	2,21	,33	24	LANG GEBOGEN - GESENKT	07170-03306	,56	2,21	,47
6mm BRIV® Alu-Legierung, Stahl	25	STD MIT DREHÖFFNER	07170-05600	,64	1,21	,52	25	STANDARD - FLACH	07170-05800	,64	1,21	,52
	26	LANG MIT DREHÖFFNER	07170-05700	,64	2,19	,52	26	LANG - FLACH	07170-05900	,64	2,19	,52
3/32" AVLUG®	27	STANDARD - FLACH	07150-03003	,36	1,30	,16	27	STANDARD - SPITZ	07150-03103	,36	1,30	,16
	27	STD MIT DREHÖFFNER - FLACH	07170-04500	,36	1,30	,16	28	LANG - FLACH	07150-04003	,41	2,30	,16
	28	LANG GEBOGEN - FLACH	07150-05003	,41	2,28	,16	-	-	-	-	-	-
1/8" AVLUG®	29	STANDARD - FLACH	07150-03004	,41	1,18	,20	29	STANDARD - SPITZ	07170-03104	,41	1,19	,20
	29	STD MIT DREHÖFFNER - FLACH	07170-04600	,41	1,18	,20	30	LANG - FLACH	07150-04004	,41	2,18	,20
	30	LANG GEBOGEN - FLACH	07150-05004	,41	2,12	,20	30	LANG MIT DREHÖFFNER - FLACH	07170-05000	,41	2,18	,20
2,5mm 4-40 UNC AVSER®	31	STANDARD - FLACH	07150-03003	,36	1,30	,16	-	-	-	-	-	-
3,0mm 6-32 UNC AVSER®	32	STANDARD - FLACH	07150-03004	,41	1,18	,20	32	STD MIT DREHÖFFNER - FLACH	07170-04600	,41	1,18	,20
2,5mm AVTRONIC®	33	STANDARD - FLACH	07150-03003	,36	1,30	,16	33	ABGESETZT MIT DREHÖFFNER	07271-08000	,41	1,18	,16
	34	LANG - FLACH	07150-04003	,41	2,30	,16	-	-	-	-	-	-
2,8mm AVTRONIC®	35	STANDARD - FLACH	07271-05600	,36	1,30	,16	36	ABGESETZT MIT DREHÖFFNER	07271-08100	,40	1,18	,16
	37	LANG - FLACH	07271-05900	,41	2,30	,16	-	-	-	-	-	-
2,8mm RIVSCREW®	38	STD MIT DREHÖFFNER - KF	07271-03000	,41	1,18	,24	-	-	-	-	-	-
3,0mm RIVSCREW®	39	STD MIT DREHÖFFNER - KF	07271-03000	,41	1,18	,24	-	-	-	-	-	-
3,5mm RIVSCREW®	40	STD MIT DREHÖFFNER - KF	07271-03500	,41	1,18	,24	-	-	-	-	-	-
4,0mm RIVSCREW®	41	STD MIT DREHÖFFNER - KF	07271-04000	,41	1,18	,25	-	-	-	-	-	-

# Diese Mundstücke eignen sich für das Setzen von Chobert®-Nieten mit Universal-Kopfform. Bei Verwendung mit Briv® der gleichen Größe, wird die höchstmögliche Klemmung erreicht. Bitte beachten, daß bei Verwendung von Briv®-Nieten die max. Spannkraft um etwa 0,4 mm reduziert wird.

# Ausrüstungen

## Auswahl des Mundstücks - Metrische Masse

BLINDNIET	BEZ.-NR.	MUNDSTÜCK				BEZ.-NR.	MUNDSTÜCK					
		TYP UND FORM DES ENDSTÜCKS	TEILNR.	MASSE			TYP UND FORM DES ENDSTÜCKS	TEILNR.	MASSE			
				'B'	'D'	'E'				'B'	'D'	'E'
3/32" CHOBERT® & GROVIT®	1	STANDARD - FLACH	07150-03003	9,14	33,02	4,06	1	# STANDARD - FÜR ERHÖHTE KLAMMERKRAFT	07150-03203	9,14	33,78	6,10
	1	STD MIT DREHÖFFNER - FLACH	07170-04500	9,14	33,02	4,06	1	ABGESETZT MIT DREHÖFFNER	07177-03003	5,08	29,97	4,06
	2	STANDARD - SPITZ	07170-03103	9,14	33,02	4,06	3	ABGESETZT	07274-01000	5,59	27,18	4,06
	4	LANG - FLACH	07150-04003	10,41	58,42	4,06	4	LANG GEBOGEN - FLACH	07150-05003	10,41	57,91	4,06
1/8" CHOBERT® & GROVIT®	5	STANDARD - FLACH	07150-03004	10,41	29,97	5,08	5	# STANDARD - FÜR ERHÖHTE KLAMMERKRAFT	07150-03204	10,41	30,99	8,13
	5	STANDARD - SPITZ	07170-03104	10,41	30,23	5,08	5	STD MIT DREHÖFFNER - FLACH	07170-04600	10,41	29,97	5,08
	6	LANG - FLACH	07150-04004	10,41	55,37	5,08	6	# LANG - FÜR ERHÖHTE KLAMMERKRAFT	07150-04204	10,41	56,39	7,62
5/32" CHOBERT® & GROVIT®	6	LANG GEBOGEN - FLACH	07150-05004	10,41	53,85	5,08	6	LANG MIT DREHÖFFNER - FLACH	07170-05000	10,41	55,37	5,08
	7	STANDARD - FLACH	07150-03005	12,19	33,02	6,10	7	# STANDARD - FÜR ERHÖHTE KLAMMERKRAFT	07150-03205	12,19	34,29	10,41
	7	STANDARD - SPITZ	07150-03105	11,18	33,02	6,10	7	STD MIT DREHÖFFNER - FLACH	07170-04700	12,19	33,02	6,10
3/16" CHOBERT® & GROVIT®	8	LANG - FLACH	07150-04005	12,19	58,42	6,10	8	# LANG - FÜR ERHÖHTE KLAMMERKRAFT	07150-04205	12,19	59,69	10,67
	8	LANG GEBOGEN - FLACH	07150-05005	12,19	56,64	6,10	8	LANG MIT DREHÖFFNER - FLACH	07170-05100	12,19	58,42	6,10
	9	STANDARD - FLACH	07150-03006	14,22	29,97	8,38	9	# STANDARD - FÜR ERHÖHTE KLAMMERKRAFT	07150-03206	14,22	31,50	11,94
1/4" CHOBERT®	9	STANDARD - SPITZ	07150-03106	14,22	29,97	8,38	9	STD MIT DREHÖFFNER - FLACH	07170-04800	14,22	29,97	8,38
	10	LANG - FLACH	07150-04006	14,22	58,42	8,38	10	# LANG - FÜR ERHÖHTE KLAMMERKRAFT	07150-04206	14,22	60,71	12,19
	10	LANG GEBOGEN - FLACH	07150-05006	14,22	56,13	8,38	10	LANG MIT DREHÖFFNER - FLACH	07170-05200	14,22	58,42	8,38
3/32" BRIV® Nur Messing	11	STANDARD - FLACH	07150-03008	16,26	29,97	9,91	11	STD MIT DREHÖFFNER - FLACH	07170-04900	16,26	29,97	9,91
	12	LANG - FLACH	07150-04008	16,26	55,37	9,91	12	LANG MIT DREHÖFFNER - FLACH	07170-05300	16,26	55,37	9,91
1/8" BRIV® Alu-Legierung, Messing, Stahl	13	STANDARD - SPITZ	07170-03103	9,14	33,02	3,81	14	ABGESETZT MIT DREHÖFFNER	07177-03003	5,08	29,97	4,06
	14	ABGESETZT	07274-01000	5,59	27,18	4,06	-	-	-	-	-	-
	15	STANDARD - FLACH	07150-03004	10,41	29,97	5,08	15	STANDARD - GESENKT	07170-03004	10,41	30,48	7,62
	16	STANDARD - SPITZ	07170-03104	10,41	30,23	5,08	16	LANG - FLACH	07150-04004	10,41	55,37	5,08
5/32" BRIV® Alu-Legierung, Messing, Stahl	16	LANG - GESENKT	07170-03204	10,41	55,37	7,62	16	LANG GEBOGEN - FLACH	07150-05004	10,41	53,85	5,08
	16	LANG GEBOGEN - GESENKT	07170-03304	10,41	53,85	7,62	-	-	-	-	-	-
	17	STANDARD - FLACH	07150-03005	12,19	33,02	6,10	17	STANDARD - GESENKT	07170-03005	12,19	33,53	10,41
3/16" BRIV® Alu-Legierung, Messing, Stahl	18	LANG - FLACH	07150-04005	12,19	58,42	6,10	18	LANG - GESENKT	07170-03205	12,19	58,42	10,41
	18	LANG GEBOGEN - FLACH	07150-05005	12,19	56,64	6,10	18	LANG GEBOGEN - GESENKT	07170-03305	12,19	56,64	10,41
	19	STANDARD - FLACH	07150-03005	12,19	33,02	6,10	19	STANDARD - GESENKT	07170-03005	12,19	33,53	10,41
5/32" BRIV® Nur rostfreier Stahl	20	LANG - FLACH	07150-04005	12,19	58,42	6,10	20	LANG - GESENKT	07170-03205	12,19	58,42	10,41
	20	LANG GEBOGEN - FLACH	07150-05005	12,19	56,64	6,10	20	LANG GEBOGEN - GESENKT	07170-03305	12,19	56,64	10,41
	21	STANDARD - FLACH	07150-03006	14,22	29,97	8,38	21	STANDARD - GESENKT	07170-03006	14,22	30,48	11,94
3/16" BRIV® Alu-Legierung, Messing, Stahl	22	LANG - FLACH	07150-04006	14,22	58,42	8,38	22	LANG - GESENKT	07170-03206	14,22	58,42	11,94
	22	LANG GEBOGEN - FLACH	07150-05006	14,22	56,13	8,38	22	LANG GEBOGEN - GESENKT	07170-03306	14,22	56,13	11,94
	23	STANDARD FLACH	07150-03006	14,22	29,97	8,38	23	STANDARD - GESENKT	07170-03006	14,22	30,48	11,94
3/16" BRIV® Nur rostfreier Stahl	24	LANG - FLACH	07150-04006	14,22	58,42	8,38	24	LANG - GESENKT	07170-03206	14,22	58,42	11,94
	24	LANG GEBOGEN - FLACH	07150-05006	14,22	56,13	8,38	24	LANG GEBOGEN - GESENKT	07170-03306	14,22	56,13	11,94
	25	STD MIT DREHÖFFNER	07170-05600	16,33	30,65	13,14	25	STANDARD - FLACH	07170-05800	16,33	30,65	13,14
6mm BRIV® Alu-Legierung, Stahl	26	LANG MIT DREHÖFFNER	07170-05700	16,33	55,65	13,14	26	LANG - FLACH	07170-05900	16,33	55,65	13,14
	27	STANDARD - FLACH	07150-03003	9,14	33,02	4,06	27	STANDARD - SPITZ	07150-03103	9,14	33,02	4,06
	27	STD MIT DREHÖFFNER - FLACH	07170-04500	9,14	33,02	4,06	28	LANG - FLACH	07150-04003	10,41	58,42	4,06
3/32" AVLUG®	28	LANG GEBOGEN - FLACH	07150-05003	10,41	57,91	4,06	-	-	-	-	-	-
	29	STANDARD - FLACH	07150-03004	10,41	29,97	5,08	29	STANDARD - SPITZ	07170-03104	10,41	30,23	5,08
	29	STD MIT DREHÖFFNER - FLACH	07170-04600	10,41	29,97	5,08	30	LANG - FLACH	07150-04004	10,41	55,37	5,08
2,5mm 4-40 UNC AVSERT®	30	LANG GEBOGEN - FLACH	07150-05004	10,41	53,85	5,08	30	LANG MIT DREHÖFFNER - FLACH	07170-05000	10,41	55,37	5,08
	31	STANDARD - FLACH	07150-03003	9,14	33,02	4,06	-	-	-	-	-	-
	32	STANDARD - FLACH	07150-03004	10,41	29,97	5,08	32	STD MIT DREHÖFFNER - FLACH	07170-04600	10,41	29,97	5,08
3,0mm 6-32 UNC AVSERT®	33	STANDARD - FLACH	07150-03003	9,14	33,02	4,06	33	ABGESETZT MIT DREHÖFFNER	07271-08000	10,41	29,97	4,06
	34	LANG - FLACH	07150-04003	10,41	58,42	4,06	-	-	-	-	-	-
2,5mm AVTRONIC®	35	STANDARD - FLACH	07271-05600	9,14	33,02	4,06	36	ABGESETZT MIT DREHÖFFNER	07271-08100	10,16	29,97	4,06
2,8mm AVTRONIC®	37	LANG - FLACH	07271-05900	10,41	58,42	4,06	-	-	-	-	-	-
	38	STD MIT DREHÖFFNER - KF	07271-03000	10,41	29,97	6,10	-	-	-	-	-	-
3,0mm RIVSCREW®	39	STD MIT DREHÖFFNER - KF	07271-03000	10,41	29,97	6,10	-	-	-	-	-	-
3,5mm RIVSCREW®	40	STD MIT DREHÖFFNER - KF	07271-03500	10,41	29,97	6,10	-	-	-	-	-	-
4,0mm RIVSCREW®	41	STD MIT DREHÖFFNER - KF	07271-04000	10,41	29,97	6,35	-	-	-	-	-	-

# Diese Mundstücke eignen sich für das Setzen von Chobert®-Nieten mit Universal-Kopfform. Bei Verwendung mit Briv® der gleichen Größe, wird die höchstmögliche Klemmung erreicht. Bitte beachten, daß bei Verwendung von Briv®-Nieten die max. Spannkraft um etwa 0,4 mm reduziert wird.

## Nietdorne und Nietdornfedern

Die auf Seite 88 abgebildeten Nietdorne und Nietdornfedern müssen passend zur Art und Größe des Niets sowie zum Lochdurchmesser ausgewählt werden. Die Verwendung eines falschen Nietdorns erhöht das Bruchrisiko sowie den Verschleiß des Nietdornkopfs. Bei Verwendung einer falschen Nietdornfeder können Zuführungsprobleme auftreten.

**W I C H T I G**  
**DIE SICHERHEITSVORSCHRIFTEN auf Seite 80 sorgfältig LESEN.**

Während die normale und korrekte Anwendung der Nietdorne zu einem geringen natürlichen Verschleiß sowie Markierungen führt, sind die Dorne in regelmäßigen Zeitabständen auf starke Verschleißzeichen und Markierungen zu untersuchen, dabei sind Kopfdurchmesser, Spannungsbereich der Spannbacken am Schaft oder schwere Narbenbildung am Schaft und irgendwelche Verziehungen am Nietdorn besondere Aufmerksamkeit zu schenken. Nietdorne, die während des Betriebs ausfallen, könnten mit Schwung aus dem Gerät geworfen werden. Der Kunde trägt die Verantwortung sicherzustellen, daß Nietdorne ersetzt werden, bevor ein übermäßiger Verschleiß auftritt sowie stets vor Erreichen der höchstzulässigen Anzahl von Nietungen. Setzen Sie sich bitte mit Ihrem Avdel-Vertreter in Verbindung, der Ihnen den Wert bekanntgeben wird, nachdem er die Setzkraft Ihrer Anwendung mit unserem Prüfgerät zur Setzkraftmessung gemessen hat. Dieses Gerät kann auch unter der Teilnummer 07900-09080 mit allen für das Prüfen erforderlichen Informationen angekauft werden.

## Chobert® und Grovit® - Zollmass

Für die Auswahl von Nietdorn und Nietdornfeder die Anweisungen auf Seite 95 befolgen.

BLINDNIET	BEZ.-NR.	LOCH-Ø	STANDARD-NIETDORN - GRÜN					LOCH-Ø	NIETDORN FÜR 1. ÜBERMASS - GELB					FEDER-TEILNR.
			KOPF-Ø	NIETDORN-TEILNR.	P MAX.	# S/R-NIETDORN-TEILNR.	P MAX.		KOPF-Ø	NIETDORN-TEILNR.	P MAX.	# S/R-NIETDORN-TEILNR.	P MAX.	
3/32" CHOBERT® & GROVIT®	1	WIE EMPF.	,0725	07150-06003	,166	07150-08003	,071	+0,015	,074	07150-06303	,174	-	-	07150-06803
	1	-	-	-	-	-	-	+0,035	,076	-	-	07150-08103	,078	07150-06803
	2	WIE EMPF.	,0725	07150-06003	,166	07150-08003	,071	+0,015	,074	07150-06303	,174	-	-	07170-06873
	2	-	-	-	-	-	-	+0,035	,076	-	-	07150-08103	,078	07170-06873
	3	WIE EMPF.	,0725	07150-06003	,166	07150-08003	,071	+0,015	,074	07150-06303	,174	-	-	07170-06903
	3	-	-	-	-	-	-	+0,035	,076	-	-	07150-08103	,078	07170-06903
1/8" CHOBERT® & GROVIT®	5	WIE EMPF.	,088	07150-06004	,216	07150-08004	,090	+0,004	,092	07150-06104	,237	07150-08104	,098	07150-06804
	6	WIE EMPF.	,088	07150-07004	,216	07150-09004	,090	+0,004	,092	07150-07104	,237	07150-09104	,098	07150-07804
5/32" CHOBERT® & GROVIT®	7	WIE EMPF.	,107	07150-06005	,244	07150-08005	,100	+0,008	,115	07150-06105	,284	07150-08105	,116	07170-06875
	7	-	-	-	-	-	-	-	-	-	-	-	-	-
	8	WIE EMPF.	,107	07150-07005	,244	07150-09005	,100	+0,008	,115	07150-07105	,284	07150-09105	,116	07170-07875
3/16" CHOBERT® & GROVIT®	9	WIE EMPF.	,132	07150-06006	,247	07150-08006	,102	+0,014	,146	07150-06106	,320	07150-08106	,130	07170-06876
	9	-	-	-	-	-	-	-	-	-	-	-	-	-
	10	WIE EMPF.	,132	07150-07006	,247	07150-09006	,102	+0,014	,146	07150-07106	,320	07150-09106	,130	07170-07876
	10	-	-	-	-	-	-	-	-	-	-	-	-	-
1/4" CHOBERT®	11	WIE EMPF.	,184	07150-06008	,268	07150-08008	,110	+0,012	,196	07150-06108	,330	07150-08108	,134	07150-06808
	12	WIE EMPF.	,184	07150-07008	,268	07150-09008	,110	+0,012	,196	07150-07108	,330	07150-09108	,134	07150-07808

BLINDNIET	BEZ.-NR.	LOCH-Ø	NIETDORN FÜR 2. ÜBERMASS - BLAU					LOCH-Ø	NIETDORN FÜR 3. ÜBERMASS - ROT					FEDER-TEILNR.
			KOPF-Ø	NIETDORN-TEILNR.	P MAX.	# S/R-NIETDORN-TEILNR.	P MAX.		KOPF-Ø	NIETDORN-TEILNR.	P MAX.	# S/R-NIETDORN-TEILNR.	P MAX.	
3/32" CHOBERT® & GROVIT®	1	+0,035	,076	07150-06103	,185	-	-	-	-	-	-	-	-	07150-06803
	1	-	-	-	-	-	-	-	-	-	-	-	-	-
	2	+0,035	,076	07150-06103	,185	-	-	-	-	-	-	-	-	07170-06873
	2	-	-	-	-	-	-	-	-	-	-	-	-	-
	3	+0,035	,076	07150-06103	,185	-	-	-	-	-	-	-	-	07170-06903
	3	-	-	-	-	-	-	-	-	-	-	-	-	-
1/8" CHOBERT® & GROVIT®	5	+0,010	,098	07150-06204	,268	07150-08204	,110	+0,014	,102	07150-06304	,288	07150-08304	,118	07150-06804
	6	+0,010	,098	07150-07204	,268	07150-09204	,110	+0,014	,102	07150-07304	,288	07150-09304	,118	07150-07804
5/32" CHOBERT® & GROVIT®	7	+0,015	,122	07150-06205	,320	07150-08205	,130	-	-	-	-	-	-	07170-06875
	7	-	-	-	-	-	-	+0,025	,132	07150-06305	,372	07150-08305	,150	07150-06805
	8	+0,015	,122	07150-07205	,320	07150-09205	,130	-	-	-	-	-	-	07170-07875
	8	-	-	-	-	-	-	+0,025	,132	07150-07305	,372	07150-09305	,150	07150-07805
3/16" CHOBERT® & GROVIT®	9	-	-	-	-	-	-	-	-	-	-	-	-	-
	9	+0,024	,156	07150-06206	,372	07150-08206	,150	-	-	-	-	-	-	07150-06806
	10	-	-	-	-	-	-	-	-	-	-	-	-	-
1/4" CHOBERT®	11	-	-	-	-	-	-	-	-	-	-	-	-	-
	12	-	-	-	-	-	-	-	-	-	-	-	-	-

# S/R: Kurzkonus-Nietdorn (Erklärung auf Seite 95-96).

# Ausrüstungen

Die unten links und rechts sowie auf den nächsten vier Seiten abgedruckten Tabellen enthalten eine Auflistung der Teilnummern für alle Nietdorne und Nietdornfedern pro Niet oder Nietengruppe, z.B. für Chobert® und Grovit® auf diesen Seiten.

Während die Nietgrößen stets in den ihnen zugeordneten Maßeinheiten erscheinen, wurde jede Tabelle zweimal abgedruckt. Auf der linken Seite sind Zollmaße und auf der rechten Seite metrische Maße angegeben. Die Bezugsnummer auf diesen Nietdorn-Auswahltabellen verweist auf die gleichen Nummern wie auf der Mundstück-Auswahltabellen auf Seite 91-92. Es ist der Kopfdurchmesser am Ende des Nietdorns, der beim Durchziehen die Aufweitung des Niets lenkt.

Während verschiedene Kopfformen für verschiedene Niete vorgesehen sind (siehe Abbildung auf Seite 96), erfordern die Fertigungstoleranzen für den Lochdurchmesser im Werkstück fortschreitende Kopfgrößen, so daß ein Niet stets das Loch vollständig ausfüllt.

Ein zu großer Nietdornkopf würde den Nietdorn zu stark beanspruchen und ein während der Arbeit ausfallender Nietdorn könnte aus dem Gerät ausgetrieben werden.

Die Auswahltabellen sind in vier Nietdorngrößen unterteilt und diese reichen von "Standard" bis "3. Übermaß"; jede Stufe ist am Ende des Nietdornkopfs farbgekenzeichnet.

## Chobert® und Grovit® - Metrische Masse

BLINDNIET	BEZ.-NR.	LOCH-Ø	STANDARD-NIETDORN - GRÜN					LOCH-Ø	NIETDORN FÜR 1. ÜBERMASS - GELB					FEDER-TEILNR.
			KOPF-Ø	NIETDORN-TEILNR.	P MAX.	# S/R-NIETDORN-TEILNR.	P MAX.		KOPF-Ø	NIETDORN-TEILNR.	P MAX.	# S/R-NIETDORN-TEILNR.	P MAX.	
3/32" CHOBERT® & GROVIT®	1	WIE EMPF.	1,84	07150-06003	4,22	07150-08003	1,80	+0,4	1,88	07150-06303	4,42	-	-	07150-06803
	1	-	-	-	-	-	-	+0,9	1,93	-	-	07150-08103	1,98	07150-06803
	2	WIE EMPF.	1,84	07150-06003	4,22	07150-08003	1,80	+0,4	1,88	07150-06303	4,42	-	-	07170-06873
	2	-	-	-	-	-	-	+0,9	1,93	-	-	07150-08103	1,98	07170-06873
	3	WIE EMPF.	1,84	07150-06003	4,22	07150-08003	1,80	+0,4	1,88	07150-06303	4,42	-	-	07170-06903
	3	-	-	-	-	-	-	+0,9	1,93	-	-	07150-08103	1,98	07170-06903
1/8" CHOBERT® & GROVIT®	4	WIE EMPF.	1,84	07150-07003	4,22	07150-09003	1,80	+0,9	1,93	-	-	07150-09103	1,98	07150-07803
	5	WIE EMPF.	2,24	07150-06004	5,49	07150-08004	2,29	+1,0	2,34	07150-06104	6,02	07150-08104	2,49	07150-06804
5/32" CHOBERT® & GROVIT®	6	WIE EMPF.	2,24	07150-07004	5,49	07150-09004	2,29	+1,0	2,34	07150-07104	6,02	07150-09104	2,49	07150-07804
	7	WIE EMPF.	2,72	07150-06005	6,20	07150-08005	2,54	+2,0	2,92	07150-06105	7,21	07150-08105	2,95	07170-06875
	7	-	-	-	-	-	-	-	-	-	-	-	-	-
	8	WIE EMPF.	2,72	07150-07005	6,20	07150-09005	2,54	+2,0	2,92	07150-07105	7,21	07150-09105	2,95	07170-07875
3/16" CHOBERT® & GROVIT®	8	-	-	-	-	-	-	-	-	-	-	-	-	-
	9	WIE EMPF.	3,35	07150-06006	6,27	07150-08006	2,59	+3,5	3,71	07150-06106	8,13	07150-08106	3,30	07170-06876
	9	-	-	-	-	-	-	-	-	-	-	-	-	-
	10	WIE EMPF.	3,35	07150-07006	6,27	07150-09006	2,59	+3,5	3,71	07150-07106	8,13	07150-09106	3,30	07170-07876
1/4" CHOBERT®	10	-	-	-	-	-	-	-	-	-	-	-	-	-
	11	WIE EMPF.	4,67	07150-06008	6,81	07150-08008	2,79	+3,0	4,98	07150-06108	8,38	07150-08108	3,40	07150-06808
	12	WIE EMPF.	4,67	07150-07008	6,81	07150-09008	2,79	+3,0	4,98	07150-07108	8,38	07150-09108	3,40	07150-07808

BLINDNIET	BEZ.-NR.	LOCH-Ø	NIETDORN FÜR 2. ÜBERMASS - BLAU					LOCH-Ø	NIETDORN FÜR 3. ÜBERMASS - ROT					FEDER-TEILNR.
			KOPF-Ø	NIETDORN-TEILNR.	P MAX.	# S/R-NIETDORN-TEILNR.	P MAX.		KOPF-Ø	NIETDORN-TEILNR.	P MAX.	# S/R-NIETDORN-TEILNR.	P MAX.	
3/32" CHOBERT® & GROVIT®	1	+0,9	1,93	07150-06103	4,70	-	-	-	-	-	-	-	-	07150-06803
	1	-	-	-	-	-	-	-	-	-	-	-	-	-
	2	+0,9	1,93	07150-06103	4,70	-	-	-	-	-	-	-	-	07170-06873
	2	-	-	-	-	-	-	-	-	-	-	-	-	-
	3	+0,9	1,93	07150-06103	4,70	-	-	-	-	-	-	-	-	07170-06903
	3	-	-	-	-	-	-	-	-	-	-	-	-	-
1/8" CHOBERT® & GROVIT®	4	+0,9	1,93	07150-07103	4,70	-	-	-	-	-	-	-	-	07150-07803
	5	+2,5	2,49	07150-06204	6,81	07150-08204	2,79	+3,5	2,59	07150-06304	7,32	07150-08304	3,00	07150-06804
5/32" CHOBERT® & GROVIT®	6	+2,5	2,49	07150-07204	6,81	07150-09204	2,79	+3,5	2,59	07150-07304	7,32	07150-09304	3,00	07150-07804
	7	+3,8	3,10	07150-06205	8,13	07150-08205	3,30	-	-	-	-	-	-	07170-06875
	7	-	-	-	-	-	-	+6,3	3,35	07150-06305	9,45	07150-08305	3,81	07150-06805
	8	+3,8	3,10	07150-07205	8,13	07150-09205	3,30	-	-	-	-	-	-	07170-07875
3/16" CHOBERT® & GROVIT®	8	-	-	-	-	-	-	+6,3	3,35	07150-07305	9,45	07150-09305	3,81	07150-07805
	9	-	-	-	-	-	-	-	-	-	-	-	-	-
	9	+6,0	3,96	07150-06206	9,45	07150-08206	3,81	-	-	-	-	-	-	07150-06806
	10	+6,0	3,96	07150-07206	9,45	07150-09206	3,81	-	-	-	-	-	-	07150-07806
1/4" CHOBERT®	11	-	-	-	-	-	-	-	-	-	-	-	-	-
	12	-	-	-	-	-	-	-	-	-	-	-	-	-

# S/R: Kurzkonus-Nietdorn (Erklärung auf Seite 95-96).



Um die korrekte Teilnummer eines Nietdorns für eine besondere Anwendung aufzufinden, die nachstehenden Anweisungen lesen, nachdem die Angaben entsprechend dem nebenstehenden Beispiel festgestellt wurden. Die Antworten für das Beispiel sind in grauer Kursivschrift gedruckt.

NIETBEZEICHNUNG	<i>Beispiel</i>	<i>Chobert®</i>
NIETGRÖSSE		<i>1/8"</i>
KATALOG		<i>Baureihe 1125</i>
WERKSTÜCKLOCHDURCHMESSER		<i>0,1335"</i>
FREIRAUM HINTER DEM WERKSTÜCK		<i>Unendlich</i>
"BEZ.-NR." AUS MUNDSTÜCK-AUSWAHLTABELLE		<i>5 (Standard flach)</i>

- Die minimal empfohlene Lochgröße (wie im Datenblatt für Niete angegeben) vom Istloch im Werkstück abziehen (*Beispiel: 0,005*).
- Die Seite mit der "Nietdorn-Auswahltable" für Ihr Niet mit Zoll- oder metrischen Maßen aufschlagen (Seite 93 bis 97). *Beispiel: Seite 93*.
- Im Abschnitt für "Standard-Nietdorn - Grün" beginnen und die Nietgröße in der linken Spalte aufsuchen. *Beispiel: 1/8" Chobert® & Grovit®*.
- Wenn Sie ein Mundstück wählen, das Ihr Niet setzen kann, sollte es jetzt möglich sein, eine Zeile mit der gleichen "Bez.-Nr." wie diejenige aus der Mundstück-Auswahltable zu finden. *Beispiel: 5*. Dies ist die Zeile mit der "BEZ.-NR.", aus welcher die Teilnummer von Nietdorn und Nietdornfeder hervorgeht. Diese Zeile kann weiter in die Tabellen für "2." und "3." Übermaß verfolgt werden.
- Entlang dieser Zeile die Spalten "Loch-Ø" auffinden und den Wert wählen, der dem im ersten Schritt berechneten Wert gleich ist oder nahekommt. Die Nietdorn-Teilnummer neben dem Lochdurchmesser ablesen. *Beispiel: 07150-06104*.
- Nur für Chobert und Grovit sind die meisten Nietdorne auch als "Kurzkonusausführung" lieferbar (siehe Abbildung auf Seite 96). Kurzkonus-Nietdorne werden verwendet, um das Gefahr eines Anlaufens des Nietdornkopfs gegen ein Hindernis auf der Rückseite zu minimieren. Dies würde dazu führen, daß die Unterfläche des Nietkopfs nicht korrekt gegen die Werkstückfläche anliegt, was zu einer ungenügenden Klemmung der Verbindung führen würde.
- Gleichgültig, welche Nietdorngröße gewählt wird, muß geprüft werden, daß der "P"-Wert für den Nietdorn ausreicht. "P" ist der für den Nietdornkopf hinter dem Werkstück ZUSÄTZLICH zu der durch das Werkstück gehenden Nietlänge erforderliche Freiraum (siehe Zeichnung auf Seite 96).
- Jetzt ist es möglich, die Teilnummer der entsprechenden Nietdornfeder der rechten Spalte der Tabelle zu entnehmen. *Beispiel: 07150-06804*.

Auf jeden Fall ist ein ausreichendes Klemmen der Nietverbindung zu bewerten, insbesondere wenn der Lochdurchmesser im Werkstück sehr nahe beim nächsten Übermaß liegt, wo es dann sicher ist, den nächstgrößeren Nietdorn zu wählen, um eine bessere Klemmung zu erreichen. **IMMER DARAN DENKEN**, daß dies die Setzkraft erhöht und dadurch die Standzeit des Nietdorns vermindert wird.

## Briv® - Zollmass

Für die Auswahl von Nietdorn oder Nietdornfeder gemäß den obigen Anweisungen vorgehen.

BLINDNIET	BEZ.-NR.	LOCH-Ø	STANDARD-NIETDORN - GRÜN			LOCH-Ø	NIETDORN FÜR 1. ÜBERMASS - GELB			FEDER-TEILNR.
			KOPF-Ø	NIETDORN-TEILNR.	P MAX.		KOPF-Ø	NIETDORN-TEILNR.	P MAX.	
3/32" BRIV® Nur Messing	13	WIE EMPF.	,072	07150-06013	,119	+,004	,076	07150-06113	,123	07170-06873
	14	WIE EMPF.	,072	07150-06013	,119	+,004	,076	07150-06113	,123	07170-06903
1/8" BRIV® Alu-Legierung, Messing, Stahl	15	WIE EMPF.	,092	07271-06414	,120	+,005	,097	07271-06514	,126	07150-06814
	16	WIE EMPF.	,092	07271-07414	,120	+,005	,097	07271-07514	,126	07150-07814
5/32" BRIV® Alu-Legierung, Messing, Stahl	17	WIE EMPF.	,110	07150-06015	,136	+,005	,115	07150-06115	,142	07170-06875
	18	WIE EMPF.	,110	07150-07015	,136	+,005	,115	07150-07115	,142	07170-07875
5/32" BRIV® Nur rostfreier Stahl	19	WIE EMPF.	,120	07170-06805	,126	+,005	,125	07170-06825	,132	07170-06875
	20	WIE EMPF.	,120	07170-07805	,126	+,005	,125	07170-07825	,132	07170-07875
3/16" BRIV® Alu-Legierung, Messing, Stahl	21	WIE EMPF.	,141	07150-06016	,157	+,005	,146	07150-06116	,164	07170-06876
	22	WIE EMPF.	,141	07150-07016	,157	+,005	,146	07150-07116	,164	07170-07876
3/16" BRIV® St. Steel only	23	WIE EMPF.	,153	07170-06806	,150	+,005	,158	07170-06826	,156	07170-06876
	24	WIE EMPF.	,153	07170-07806	,150	+,005	,158	07170-07826	,156	07170-07876
6mm BRIV® Alu-Legierung, Stahl	25	WIE EMPF.	,179	07150-06018	,165	+,005	,184	07150-06118	,171	07150-06846
	26	WIE EMPF.	,179	07150-07018	,165	+,005	,184	07150-07118	,171	07150-07846

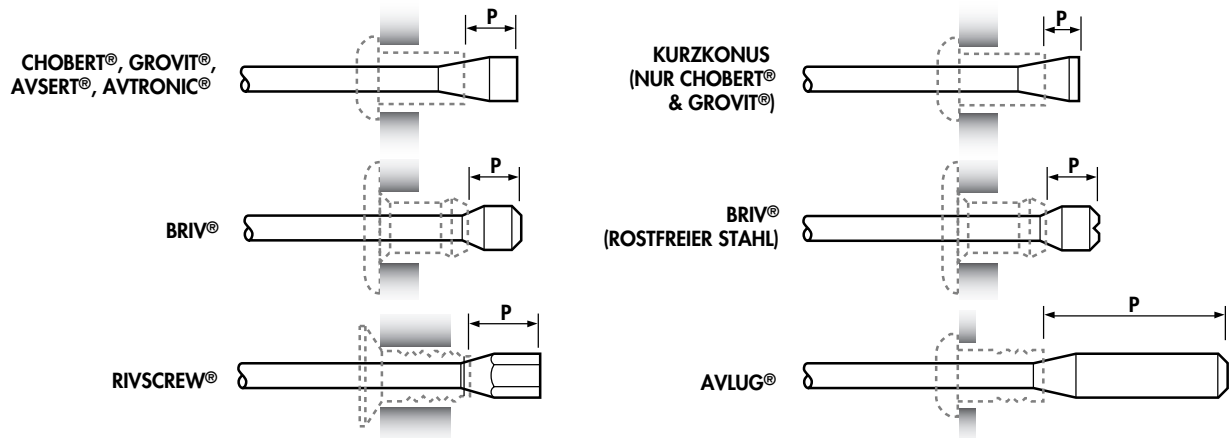
BLINDNIET	BEZ.-NR.	LOCH-Ø	NIETDORN FÜR 2. ÜBERMASS - BLAU			LOCH-Ø	NIETDORN FÜR 3. ÜBERMASS - ROT			FEDER-TEILNR.
			KOPF-Ø	NIETDORN-TEILNR.	P MAX.		KOPF-Ø	NIETDORN-TEILNR.	P MAX.	
3/32" BRIV® Nur Messing	13	+,008	,079	07150-06213	,126	-	-	-	-	07170-06873
	14	+,008	,079	07150-06213	,126	-	-	-	-	07170-06903
1/8" BRIV® Alu-Legierung, Messing, Stahl	15	+,010	,102	07271-06614	,133	-	-	-	-	07150-06814
	16	+,010	,102	07271-07614	,133	-	-	-	-	07150-07814
5/32" BRIV® Alu-Legierung, Messing, Stahl	17	+,010	,120	07150-06215	,149	-	-	-	-	07170-06875
	18	+,010	,120	07150-07215	,149	-	-	-	-	07170-07875
5/32" BRIV® Nur rostfreier Stahl	19	-	-	-	-	-	-	-	-	-
	20	-	-	-	-	-	-	-	-	-
3/16" BRIV® Alu-Legierung, Messing, Stahl	21	+,010	,151	07150-06216	,170	+,012	,153	07150-06316	,173	07170-06876
	22	+,010	,151	07150-07216	,170	+,012	,153	07150-07316	,173	07170-07876
3/16" BRIV® St. Steel only	23	-	-	-	-	-	-	-	-	-
	24	-	-	-	-	-	-	-	-	-
6mm BRIV® Alu-Legierung, Stahl	25	+,010	,189	07150-06218	,177	-	-	-	-	07150-06846
	26	+,010	,189	07150-07218	,177	-	-	-	-	07150-07846

# Ausrüstungen

## Nietdornkopffarten und Länge "P"

Nietdorne für Briv® aus rostfreiem Stahl sind leicht durch einen V-Einschnitt im Ende der Nietdornköpfe erkenntlich.

Bei Verwendung von gebogenen Mundstücken müssen die Nietdorne durch Biegen von Hand der Biegung des Mundstücks angepaßt werden, um eine gute Nietzuführung zu gewährleisten.



## Briv® - Metrische Masse

BLINDNIET	BEZ.-NR.	LOCH-Ø	STANDARD-NIETDORN - GRÜN			LOCH-Ø	NIETDORN FÜR 1. ÜBERMASS - GELB			FEDER-TEILNR.
			KOPF-Ø	NIETDORN-TEILNR.	P MAX.		KOPF-Ø	NIETDORN-TEILNR.	P MAX.	
2,4mm BRIV® Nur Messing	13	WIE EMPF.	1,83	07150-06013	3,02	+10	1,93	07150-06113	3,12	07170-06873
	14	WIE EMPF.	1,83	07150-06013	3,02	+10	1,93	07150-06113	3,12	07170-06903
3,2mm BRIV® Alu-Legierung, Messing, Stahl	15	WIE EMPF.	2,34	07271-06414	3,05	+13	2,46	07271-06514	3,20	07150-06814
	16	WIE EMPF.	2,34	07271-07414	3,05	+13	2,46	07271-07514	3,20	07150-07814
4,0mm BRIV® Alu-Legierung, Messing, Stahl	17	WIE EMPF.	2,79	07150-06015	3,45	+13	2,92	07150-06115	3,61	07170-06875
	18	WIE EMPF.	2,79	07150-07015	3,45	+13	2,92	07150-07115	3,61	07170-07875
4,0mm BRIV® Nur rostfreier Stahl	19	WIE EMPF.	3,05	07170-06805	3,20	+13	3,18	07170-06825	3,35	07170-06875
	20	WIE EMPF.	3,05	07170-07805	3,20	+13	3,18	07170-07825	3,35	07170-07875
4,8mm BRIV® Alu-Legierung, Messing, Stahl	21	WIE EMPF.	3,58	07150-06016	3,99	+13	3,71	07150-06116	4,17	07170-06876
	22	WIE EMPF.	3,58	07150-07016	3,99	+13	3,71	07150-07116	4,17	07170-07876
4,8mm BRIV® St. Steel only	23	WIE EMPF.	3,89	07170-06806	3,81	+13	4,01	07170-06826	3,96	07170-06876
	24	WIE EMPF.	3,89	07170-07806	3,81	+13	4,01	07170-07826	3,96	07170-07876
6mm BRIV® Alu-Legierung, Stahl	25	WIE EMPF.	4,54	07150-06018	4,18	+13	4,67	07150-06118	4,34	07150-06846
	26	WIE EMPF.	4,54	07150-07018	4,18	+13	4,67	07150-07118	4,34	07150-07846

BLINDNIET	BEZ.-NR.	LOCH-Ø	NIETDORN FÜR 2. ÜBERMASS - BLAU			LOCH-Ø	NIETDORN FÜR 3. ÜBERMASS - ROT			FEDER-TEILNR.
			KOPF-Ø	NIETDORN-TEILNR.	P MAX.		KOPF-Ø	NIETDORN-TEILNR.	P MAX.	
2,4mm BRIV® Nur Messing	13	+20	2,01	07150-06213	3,20	-	-	-	-	07170-06873
	14	+20	2,01	07150-06213	3,20	-	-	-	-	07170-06903
3,2mm BRIV® Alu-Legierung, Messing, Stahl	15	+25	2,59	07271-06614	3,38	-	-	-	-	07150-06814
	16	+25	2,59	07271-07614	3,38	-	-	-	-	07150-07814
4,0mm BRIV® Alu-Legierung, Messing, Stahl	17	+25	3,05	07150-06215	3,78	-	-	-	-	07170-06875
	18	+25	3,05	07150-07215	3,78	-	-	-	-	07170-07875
4,0mm BRIV® Nur rostfreier Stahl	19	-	-	-	-	-	-	-	-	-
	20	-	-	-	-	-	-	-	-	-
4,8mm BRIV® Alu-Legierung, Messing, Stahl	21	+25	3,84	07150-06216	4,32	+30	3,85	07150-06316	4,39	07170-06876
	22	+25	3,84	07150-07216	4,32	+30	3,85	07150-07316	4,39	07170-07876
4,8mm BRIV® St. Steel only	23	-	-	-	-	-	-	-	-	-
	24	-	-	-	-	-	-	-	-	-
6mm BRIV® Alu-Legierung, Stahl	25	+25	4,79	07150-06218	4,49	-	-	-	-	07150-06846
	26	+25	4,79	07150-07218	4,49	-	-	-	-	07150-07846



## Avlug®, Avsert®, Avtronic® & Rivscrew® - Zollmass & Metrische Masse

Für die Auswahl von Nietdorn oder Nietdornfeder die Anweisungen auf Seite 94 befolgen.

BLINDNIET	BEZ.-NR.	LOCH-Ø	STANDARD-NIETDORN - GRÜN			LOCH-Ø	NIETDORN FÜR 1. ÜBERMASS - GELB			FEDER-TEILNR.
			KOPF-Ø	NIETDORN-TEILNR.	P MAX.		KOPF-Ø	NIETDORN-TEILNR.	P MAX.	
3/32" AVLUG®	27	WIE EMPF.	,076	07150-06603	,353	+0,005	,081	07150-06703	,478	07150-06803
	28	WIE EMPF.	,076	07150-07603	,353	+0,003	,079	07150-07703	,368	07150-07803
1/8" AVLUG®	29	WIE EMPF.	,098	07150-06604	,593	-	-	-	-	07150-06804
	30	WIE EMPF.	,098	07150-07604	,593	-	-	-	-	07150-07804
2,5mm, 4-40 UNC AVSERT®	31	WIE EMPF.	,0725	07150-06003	,145	-	-	-	-	07150-06803
3,0mm, 6-32 UNC AVSERT®	32	WIE EMPF.	,088	07150-06004	,185	-	-	-	-	07150-06804
2,5mm AVTRONIC®	33	WIE EMPF.	,070	07170-06025	,140	+0,003	,073	07170-06125	,140	07150-06803
	34	WIE EMPF.	,070	07170-07025	,140	+0,003	,073	07170-07125	,140	07150-07803
2,8mm AVTRONIC®	35	WIE EMPF.	,079	07170-06028	,150	+0,003	,082	07170-06128	,150	07170-06528
	36	WIE EMPF.	,079	07170-06028	,150	+0,003	,082	07170-06128	,150	07170-06873
	37	WIE EMPF.	,079	07170-07028	,150	+0,003	,082	07170-07128	,150	07170-07528
2,8mm RIVSCREW®	38	WIE EMPF.	* ,065	07271-06030	,127	-	-	-	-	07271-06630
3,0mm RIVSCREW®	39	WIE EMPF.	* ,065	07271-06030	,127	-	-	-	-	07271-06630
3,5mm RIVSCREW®	40	WIE EMPF.	* ,0825	07271-06035	,132	-	-	-	-	07271-06635
4,0mm RIVSCREW®	41	WIE EMPF.	* ,103	07271-06140	,150	-	-	-	-	07271-06640

\* Diese Maße sind Schlüsselweiten

BLINDNIET	BEZ.-NR.	LOCH-Ø	NIETDORN FÜR 2. ÜBERMASS - BLAU			LOCH-Ø	NIETDORN FÜR 3. ÜBERMASS - ROT			FEDER-TEILNR.
			KOPF-Ø	NIETDORN-TEILNR.	P MAX.		KOPF-Ø	NIETDORN-TEILNR.	P MAX.	
3/32" AVLUG®	27	-	-	-	-	-	-	-	-	-
	28	-	-	-	-	-	-	-	-	-
1/8" AVLUG®	29	-	-	-	-	-	-	-	-	-
	30	-	-	-	-	-	-	-	-	-
2,5mm, 4-40 UNC AVSERT®	31	-	-	-	-	-	-	-	-	-
3,0mm, 6-32 UNC AVSERT®	32	-	-	-	-	-	-	-	-	-
2,5mm AVTRONIC®	33	+0,006	,076	07170-06225	,140	-	-	-	-	07150-06803
	34	+0,006	,076	07170-07225	,140	-	-	-	-	07150-07803
2,8mm AVTRONIC®	35	+0,006	,085	07170-06228	,150	-	-	-	-	07170-06528
	36	+0,006	,085	07170-06228	,150	-	-	-	-	07170-06873
	37	+0,006	,085	07170-07228	,150	-	-	-	-	07170-07528
2,8mm RIVSCREW®	38	-	-	-	-	-	-	-	-	-
3,0mm RIVSCREW®	39	-	-	-	-	-	-	-	-	-
3,5mm RIVSCREW®	40	-	-	-	-	-	-	-	-	-
4,0mm RIVSCREW®	41	-	-	-	-	-	-	-	-	-

BLINDNIET	BEZ.-NR.	LOCH-Ø	STANDARD-NIETDORN - GRÜN			LOCH-Ø	NIETDORN FÜR 1. ÜBERMASS - GELB			FEDER-TEILNR.
			KOPF-Ø	NIETDORN-TEILNR.	P MAX.		KOPF-Ø	NIETDORN-TEILNR.	P MAX.	
2,4mm AVLUG®	27	WIE EMPF.	1,93	07150-06603	8,97	+1,0	2,06	07150-06703	12,14	07150-06803
	28	WIE EMPF.	1,93	07150-07603	8,97	+1,0	2,01	07150-07703	9,35	07150-07803
3,2mm AVLUG®	29	WIE EMPF.	2,49	07150-06604	15,06	-	-	-	-	07150-06804
	30	WIE EMPF.	2,49	07150-07604	15,06	-	-	-	-	07150-07804
2,5mm, 4-40 UNC AVSERT®	31	WIE EMPF.	1,84	07150-06003	3,68	-	-	-	-	07150-06803
3,0mm, 6-32 UNC AVSERT®	32	WIE EMPF.	2,24	07150-06004	4,70	-	-	-	-	07150-06804
2,5mm AVTRONIC®	33	WIE EMPF.	1,78	07170-06025	3,56	+0,07	1,85	07170-06125	3,56	07150-06803
	34	WIE EMPF.	1,78	07170-07025	3,56	+0,07	1,85	07170-07125	3,56	07150-07803
2,8mm AVTRONIC®	35	WIE EMPF.	2,01	07170-06028	3,81	+0,07	2,08	07170-06128	3,81	07170-06528
	36	WIE EMPF.	2,01	07170-06028	3,81	+0,07	2,08	07170-06128	3,81	07170-06873
	37	WIE EMPF.	2,01	07170-07028	3,81	+0,07	2,08	07170-07128	3,81	07170-07528
2,8mm RIVSCREW®	38	WIE EMPF.	* 1,65	07271-06030	3,23	-	-	-	-	07271-06630
3,0mm RIVSCREW®	39	WIE EMPF.	* 1,65	07271-06030	3,23	-	-	-	-	07271-06630
3,5mm RIVSCREW®	40	WIE EMPF.	* 2,10	07271-06035	3,35	-	-	-	-	07271-06635
4,0mm RIVSCREW®	41	WIE EMPF.	* 2,62	07271-06140	3,81	-	-	-	-	07271-06640

\* Diese Maße sind Schlüsselweiten

BLINDNIET	BEZ.-NR.	LOCH-Ø	NIETDORN FÜR 2. ÜBERMASS - BLAU			LOCH-Ø	NIETDORN FÜR 3. ÜBERMASS - ROT			FEDER-TEILNR.
			KOPF-Ø	NIETDORN-TEILNR.	P MAX.		KOPF-Ø	NIETDORN-TEILNR.	P MAX.	
2,4mm AVLUG®	27	-	-	-	-	-	-	-	-	-
	28	-	-	-	-	-	-	-	-	-
3,2mm AVLUG®	29	-	-	-	-	-	-	-	-	-
	30	-	-	-	-	-	-	-	-	-
2,5mm, 4-40 UNC AVSERT®	31	-	-	-	-	-	-	-	-	-
3,0mm, 6-32 UNC AVSERT®	32	-	-	-	-	-	-	-	-	-
2,5mm AVTRONIC®	33	+1,15	1,93	07170-06225	3,56	-	-	-	-	07150-06803
	34	+1,15	1,93	07170-07225	3,56	-	-	-	-	07150-07803
2,8mm AVTRONIC®	35	+1,15	2,16	07170-06228	3,81	-	-	-	-	07170-06528
	36	+1,15	2,16	07170-06228	3,81	-	-	-	-	07170-06873
	37	+1,15	2,16	07170-07228	3,81	-	-	-	-	07170-07528
2,8mm RIVSCREW®	38	-	-	-	-	-	-	-	-	-
3,0mm RIVSCREW®	39	-	-	-	-	-	-	-	-	-
3,5mm RIVSCREW®	40	-	-	-	-	-	-	-	-	-
4,0mm RIVSCREW®	41	-	-	-	-	-	-	-	-	-

# Wartung des Gerätes

Die Wartung ist in regelmäßigen Zeitabständen durchzuführen. Eine umfangreiche Prüfung ist jährlich oder alle 500.000 Arbeitstakte durchzuführen, je nachdem, was früher eintritt.

## W I C H T I G

**Der Arbeitgeber trägt die Verantwortung, sicherzustellen, daß die Gerätewartungsanweisungen dem entsprechenden Personal ausgehändigt werden. Ohne fachgerechte Ausbildung sollte der Bediener nicht zu Wartungs- oder Reparaturarbeiten am Gerät herangezogen werden.**

## Täglich

- Täglich, vor jedem Einsatz oder bei der ersten Inbetriebnahme des Gerätes ein paar Tropfen reines, leichtes Schmieröl in den Zuluftanschluß des Druckübersetzers gießen, wenn in die Druckluftversorgung kein Öl eingebaut ist. Wenn das Gerät kontinuierlich eingesetzt wird, ist der Luftschlauch alle zwei bis drei Stunden von der Hauptluftversorgung zu trennen und das Gerät zu schmieren.
- Auf Druckluftundichtheiten prüfen. Beschädigte Schläuche und Kupplungen sind durch neue Teile zu ersetzen.
- Bei einem Druckregler ohne Filter die Druckluftleitung entlüften, um irgendwelche Ansammlungen von Schmutz oder Wasser vor dem Anschluß der Druckluftleitung an den Druckübersetzer zu entfernen. Ist ein Filter vorhanden, diesen ablassen.
- Prüfen, daß die korrekte Ausrüstung montiert ist.
- Die Nietdorne in regelmäßigen Zeitabständen auf Verschleiß oder Schäden prüfen, dabei die Anzahl der gesetzten Niete überwachen (die SICHERHEITSVORSCHRIFTEN auf Seite 80 lesen).

## Wöchentlich

- Die „täglich“ Maßnahmen, wie oben beschrieben, durchführen.
- Die Spannbacken auf Verschleiß prüfen, reinigen und einfetten (siehe "Spannbackenzylinder" im Abschnitt "Wartung", Seiten 100).
- Ölstand im Behälter des Druckübersetzers überprüfen; er sollte etwa 12 mm unter der transparenten Deckplatte liegen.

## Molyolithiumfett EP 3753 - Sicherheitsdaten

Lithiumfett kann als Einzelposten bestellt werden. Die Teilnummer ist im Werkzeugsatz auf der gegenüberliegenden Seite 99.

### Erste Hilfe

HAUT:

Da Fett vollständig wasserfest ist, sollte es am besten mit einem freigegebenen emulgierenden Hautreiniger entfernt werden.

EINNAHME:

Dafür sorgen, dass der Betroffene 30 ml Magnesiummilch trinkt, möglichst in einer Tasse Milch.

AUGEN:

Reizwirkung, jedoch nicht schädlich. Mit Wasser spülen und ärztliche Hilfe aufsuchen.

### Brand

FLAMMPUNKT: über 220°C

Nicht als entflammbar klassifiziert.

Geeignetes Löschmittel: CO<sub>2</sub>, Halon oder Wassersprühe, wenn durch erfahrenen Bediener betätigt.

### Umwelt

Abschaben zwecks Verbrennung oder Entsorgung an einem zugelassenen Ort.

### Handhabung

Hautschutzcreme oder ölfeste Handschuhe verwenden.

### Lagerung

Entfernt von Wärme und Oxidationsmittel.

## Werkzeugsatz

Wir empfehlen die Verwendung des nachstehenden Werkzeugsatzes für alle Wartungsarbeiten (Teilnummer 07900-05300).

WERKZEUGSATZ					
ART-NR.	BENENNUNG	POS.	ART-NR.	BENENNUNG	POS.
07900-00157	SICHERUNGSRINGEZANGE	1	07900-00352	DICHTRINGAUSZIEHHAKEN	1
07900-00006	MONTIERHEBEL	1	07900-00710	STECKSCHLÜSSELEINSATZ 13 mm	1
07900-00446	AUSZIEHER	1	07900-00725	VERLÄNGERUNG 1/4"	1
07900-00603	LAUFKLEMMBACKEN	1	07900-00243	SCHRAUBENDREHER	1
07900-00521	STANGE 1/4"	1	07900-00717	DRUCKÜBERSETZERSCHLÜSSEL	1
07900-00602	MONTAGEHÜLSE	1	07900-00013	INNENSECHSKANTSCHLÜSSEL 1/8"	1
07900-00725	MONTAGEHÜLSE	1	07900-00617	LOCTITE-SCHRAUBENSICHERUNG 574, 50-ml-PACKUNG	1
07900-00595	RINGMAULSCHLÜSSEL 18 mm	1	07900-00469	INNENSECHSKANTSCHLÜSSEL 2,5 mm	1
07900-00434	DOPPELMAULSCHLÜSSEL 30 x 32	1	07900-00351	INNENSECHSKANTSCHLÜSSEL 3 mm	1
07900-00237	RINGMAULSCHLÜSSEL 3/8" x 5/16" BSW	1	07900-00224	INNENSECHSKANTSCHLÜSSEL 4 mm	1
07900-00012	DOPPELMAULSCHLÜSSEL 9/16" x 5/8"	1	07900-00225	INNENSECHSKANTSCHLÜSSEL 5 mm	1
07900-00008	DOPPELMAULSCHLÜSSEL 7/16" x 1/2"	1	07992-00020	80 g DOSE MOLYLITHIUMFETT EP 3753	1

*Hinweis: Wenn nicht anders angegeben, werden die Maulschlüsselgrößen als "Abstand der Schlüsselansatzflächen" gemessen.*

# Wartung

Alle 500 000 Arbeitstakte sollte das Gerät vollständig zerlegt werden. Verschlossene, beschädigte oder andere empfohlene Teile sind zu ersetzen. Alle Dichtringe und Dichtungen sind zu ersetzen und mit Molythiumfett EP 3753 vor der Montage einzuschmieren.

## W I C H T I G

**Sicherheitsvorschriften erscheinen auf Seite 80.**

**Der Arbeitgeber trägt die Verantwortung, sicherzustellen, daß die Wartungsanweisungen dem entsprechenden Personal ausgehändigt werden. Ohne fachgerechte Ausbildung sollte der Bediener nicht zu Wartungs- oder Reparaturarbeiten am Gerät herangezogen werden.**

Vor Wartung oder Zerlegen ist soweit nicht anders angewiesen, das Gerät von der Druckluft zu trennen.

Es wird empfohlen, sämtliche Zerlegearbeiten unter sauberen Bedingungen durchzuführen.

Das Zerlegen von 07530 Mk II und 07532 Mk II wird separat beschrieben. Für 07530 Mk II siehe die untenstehenden Zerlegeverfahren und für das Gerät 07532 Mk II siehe Seiten 102 und 103. Die **fettgedruckten** Nummern verweisen auf die Übersichtszeichnungen und Ersatzteillisten für das jeweilige Modell auf den Seiten 104-107.

Vor dem Zerlegen des Gerätes ist es erforderlich, die Ausrüstung abzubauen.

Für die Wartung des ganzen Gerätes empfehlen wir zunächst die Unterbaugruppen in der unten angegebenen Reihenfolge zu zerlegen, nachdem der Hydraulikschlauch vom Druckübersetzer und der Auslöserluftschlauch vom Ventil abgeschlossen wurden, um die Pistole vom Druckübersetzer zu trennen.

## Zerlegen 07530-02200 MKII

Für das Zerlegen von 07530-02200 Mk II siehe Seiten 102-103.

### SPANNBACKENZYLINDER

- Mit der Hand die Klemmfeder **47** nach oben tippen und die hintere Kappe **38** entfernen.
- Mit einem Innensechskantschlüssel\* eine Innensechskantschraube **44** entfernen, wobei darauf geachtet werden muß, daß sämtliche eingeschlossene Luft im Spannbackenzylinder abgelassen wurde. Die zweite Innensechskantschraube **44** entfernen.
- Den Endstopfen **46** herausziehen.
- Die Spannbackenteile bestehend aus Spannbackenkolben **14**, Feder **13**, Backen **9** und Spannbackenpatrone **8** herausziehen.
- Kolbenstangenführung hinten am Kolben mit Hilfe eines Innensechskantschlüssels\* und einer durch die große Nute im Spannbackenhalter gesteckten Stange ausbauen.
- Spannbackenhalter mit einem Bohrer 4,7 mm Durchmesser reinigen und Kolbenstangenführung mit einer nichthärtenden Dichtmasse (z.B. Loctite Multi-gasket 574\*) wieder einbauen.
- O-Ring **10** entfernen.
- Mit einem Innensechskantschlüssel\* alle fünf Befestigungsschrauben **34**, **39** der Griffschale und die Muttern **33** vom Griff abschrauben.
- Lauf **25** in einem Schraubstock mit weichen Backen\* einspannen, um eine Beschädigung zu vermeiden.
- Mit einem Steckschlüssel\* Nietdornführung **7** abschrauben, dabei das Drehen des Laufs **25** mit einem Maulschlüssel\* verhindern.
- Spannbackenschlauch **12** vom Schaltblock **28** abtrennen und Spannbackenzylinder **6** aus dem Gerät ziehen.
- O-Ring **4**, Klemmring **15** und Lauf-Rückholfeder **16** ausbauen.
- Die ungespannte Länge der Feder **13** sollte 38,1 mm betragen. Falls erforderlich, ersetzen.
- Spannbacken vor der Montage mit Molythiumfett einfetten.
- Der Zusammenbau erfolgt in umgekehrter Reihenfolge des Zerlegens.

### KOLBEN

- Spannbackenzylinder **6** wie oben beschrieben ausbauen.
- Gehäuse **19** in einem Schraubstock mit weichen Backen\* einspannen, um eine Beschädigung zu vermeiden. Hubbegrenzer **17** lösen.
- Lauf **25** in Schraubstock einspannen und Gehäuse **19** vom Lauf **25** abziehen (eine geringe Menge Hydrauliköl wird von innen aus dem Gehäuse austreten).
- Kolben **18** sorgfältig ausbauen, um die Bohrung im Gehäuse nicht zu beschädigen.
- Dichtung **3** ausbauen.
- Dichtung **1** läßt sich nur schwer ohne Beschädigung ausbauen, kann jedoch während der Reinigung eingebaut bleiben (vorausgesetzt, daß sie durch die Reinigung nicht beeinträchtigt wird). Wenn jedoch Dichtung **1** ersetzt werden soll, wie folgt vorgehen:
- Mit Montierhebel\* Dichtung **1** aus dem Gehäuse **19** drücken. Dabei darauf achten, daß Gehäusehohlraum und Bohrungen nicht beschädigt werden. Die ausgebaute Dichtung **1** MUSS ersetzt werden.
- Um die Dichtung **1** zu ersetzen, die Hydraulikschlauchbaugruppe **22** abschrauben und eine Entlüftungsstopfenbaugruppe **2** als Ersatz einschrauben, um die Innenfläche auf gleiche Höhe mit der Bohrung zu bringen.
- Vorhandene Entlüftungsschraube abschrauben, bis die Innenfläche mit der Bohrung fluchtet. Dies ergibt einen glatten Durchgang für das Einsetzen einer neuen Dichtung **1** hinten in das Gehäuse.
- Sicherstellen, daß die Dichtung gut eingefettet und die korrekte Position hat. Das offene Ende der Dichtung ist auf die hinteren Spannbacken gerichtet.
- Der Zusammenbau erfolgt in umgekehrter Reihenfolge.

\* Verweist auf die im 0753 Mk II-Werkzeugsatz enthaltenen Teile. Für eine vollständige Liste siehe Seite 99.

Die **fettgedruckten** Positionsnummern verweisen auf die Übersichtszeichnungen und Ersatzteillisten für das jeweilige Modell auf Seite 104-105.

**Zerlegen 07530-02200 MkII**

---

**AUSLÖSERBAUGRUPPE**

- Um diese Baugruppe zu zerlegen/zu warten, die Abdeckungen wie vorher beschrieben vom Gerät entfernen.
- Sämtliche Luftschläuche von der Baugruppe abtrennen und darauf achten, daß sie nicht beschädigt werden. Baugruppe ausbauen.
- Mit einem Schlüssel\* den Halteeinsatz **49** losschrauben und entfernen. Darauf achten, daß die Feder **50** nicht verlorenght.
- Den O-Ring **53** entfernen, dabei darauf achten, daß die Spindel **54** und die Sitzflächen des Halteeinsatzes **49** nicht beschädigt werden.
- Reinigen und mit Hilfe eines neuen O-Rings **53** wieder zusammenbauen.
- Die ungespannte Länge der Feder **50** prüfen (diese muß 12,7 mm betragen) - diese ggf. erneuern.
- Der Zusammenbau erfolgt in umgekehrter Reihenfolge des Zerlegens.

**SPANNBACKEN-SCHALTVENTIL**

- Die Konstruktion der Einheit erfordert nur einen minimalen Wartungsaufwand während der Lebensdauer des Gerätes.
- Falls erforderlich, das Ventil wie folgt zerlegen:
- Luftschlauch von der Baugruppe abtrennen und darauf achten, daß er nicht beschädigt wird. Baugruppe entfernen.
- Mit einem Innensechskantschlüssel\* Schraube **27** für die Befestigung der Baugruppe am Lauf **25** lockern und die Baugruppe entfernen.
- Mit einem Schraubendreher\* Starlock-Chromscheibe **26** vorsichtig aus dem Spannbackenventil **29** ausbauen und fortwerfen.
- Spannbackenventil **29** aus Schaltblock **28** ziehen.
- O-Ringe **31** entfernen, dabei darauf achten, daß das Spannbackenventil **29** nicht beschädigt wird.
- Spannbackenventil reinigen und die Montagepatrone\* verwenden, um die neuen O-Ringe **31** in Schaltblock **28** einzuziehen, dabei auf korrekte Lage achten.
- Neue Starlock-Chromscheibe **26** einbauen, dabei einen Schraubstock mit weichen Backen verwenden, um eine Beschädigung zu verhüten. KEINE UNNÖTIGE KRAFT AUFWENDEN.
- Der Zusammenbau erfolgt in umgekehrter Reihenfolge des Zerlegens.

**SPANNBACKENDRUCK-RÜCKSCHLAGVENTIL**

- Das Rückschlagventil **21** befindet sich im Gerätehandgriff.
- Um das Rückschlagventil **21** zu entfernen/auszutauschen, auf die Trennwandfittings drücken und den blauen Plastikschlauch **23** an beiden Enden abziehen.
- Beim Wiedereinbau des Rückschlagventils **21** auf die richtige Einbaurichtung achten.

**HANDGRIFF UND HINTERE KAPPE**

- Formteile reinigen und auf Risse oder andere Schäden sichtprüfen.

**RÜCKLAUFSPERRE**

- Die mechanische Rücklaufsperrre **5** reinigen und hin und wieder mit etwas dünnflüssigem Öl einölen.

**W I C H T I G**

**Überprüfen Sie das Gerät gemäß der täglichen und wöchentlichen Instandhaltungsvorgaben.  
Nach Zerlegen des Gerätes und vor Inbetriebnahme ist IMMER ein Auffüllen erforderlich.**

\* Verweist auf die im 753 Mk II-Werkzeugsatz enthaltenen Teile. Für eine vollständige Liste siehe Seite 99.

Die **fettgedruckten** Positionsnummern verweisen auf die Übersichtszeichnungen und Ersatzteillisten für das jeweilige Modell auf Seite 104-105.

# Wartung

## Zerlegen 07532-02200 MkII

---

Für das Zerlegen von 07532-02200 Mk II siehe Seiten 100-101.

### SPANNBACKENZYLINDER

- Mit der Hand die Klemmfeder **54** nach oben tippen und die hintere Kappe **45** entfernen.
- Mit einem Innensechskantschlüssel\* eine Innensechskantschraube **51** entfernen, wobei darauf geachtet werden muß, daß sämtliche eingeschlossene Luft im Spannbackenzylinder abgelassen wurde. Die zweite Innensechskantschraube **51** entfernen.
- Den Endstopfen **53** nach vorne gegen die Feder **20** drücken und schnell loslassen, damit der Endstopfen **53** rausfallen kann.
- Die Spannbackenteile bestehend aus Spannbackenkolben **21**, Feder **20**, Backen **16** und Spannbackenpatrone **15** herausziehen.
- Kolbenstangenführung hinten am Kolben mit Hilfe eines Innensechskantschlüssels\* und einer durch die große Nute im Spannbackenhalter gesteckten Stange ausbauen.
- Spannbackenhalter mit einem Bohrer 4,7 mm Durchmesser reinigen und Kolbenstangenführung mit einer nichthärtenden Dichtmasse (z.B. Loctite Multi-gasket 574\*) wieder einbauen.
- O-Ring **17** entfernen.
- Mit einem Innensechskantschlüssel\* alle fünf Befestigungsschrauben **41**, **46** der Griffschale und die Muttern **40** vom Griff abschrauben.
- Lauf **31** in einem Schraubstock mit weichen Backen\* einspannen, um eine Beschädigung zu vermeiden.
- Mit einem Steckschlüssel\* Nietdornführung **14** abschrauben, dabei das Drehen des Laufs **31** mit einem Maulschlüssel\* verhindern.
- Spannbackenschlauch **19** vom Schaltblock **35** abtrennen und Spannbackenzylinder **12** aus dem Gerät ziehen.
- O-Ring **10**, Klemmring **22** und Lauf-Rückhofeder **13** ausbauen.
  
- Die ungespannte Länge der Feder **20** sollte 38,1 mm betragen. Falls erforderlich, ersetzen.
- Spannbacken vor der Montage mit Molythiumfett einfetten.
  
- Der Zusammenbau erfolgt in umgekehrter Reihenfolge des Zerlegens.

### KOLBEN

- Spannbackenzylinder **12** wie oben beschrieben ausbauen.
- Gehäuse **25** in einem Schraubstock mit weichen Backen\* einspannen, um eine Beschädigung zu vermeiden. Hubbegrenzer **23** lösen.
- Lauf **31** in Schraubstock einspannen und Gehäuse **25** vom Lauf **31** abziehen (eine geringe Menge Hydrauliköl wird von innen aus dem Gehäuse austreten).
- Kolben **24** sorgfältig ausbauen, um die Bohrung im Gehäuse nicht zu beschädigen.
- Dichtung **9** ausbauen.
- Dichtung **1** läßt sich nur schwer ohne Beschädigung ausbauen, kann jedoch während der Reinigung eingebaut bleiben (vorausgesetzt, daß sie durch die Reinigung nicht beeinträchtigt wird). Wenn jedoch Dichtung **1** ersetzt werden soll, wie folgt vorgehen:
- Mit Montierhebel\* Dichtung **1** aus dem Gehäuse **25** drücken. Dabei darauf achten, daß Gehäusehohlraum und Bohrungen nicht beschädigt werden. Die ausgebaute Dichtung **1** MUSS ersetzt werden.
  
- Um die Dichtung **1** zu ersetzen, die Hydraulikschlauchbaugruppe **63** und alle zugehörigen Luftschläuche abtrennen. Die selbstschließende Kupplung **6** abschrauben, die Aufhängungsmontageplatte **4** entfernen, den oberen Schlauchadapter **2** abschrauben und eine Ersatz-Entlüftungstopfenbaugruppe **30** soweit einschrauben, bis die Innenfläche mit der Innenbohrung fluchtet.
- Vorhandene Entlüftungsschraube abschrauben, bis die Innenfläche mit der Bohrung fluchtet. Dies ergibt einen glatten Durchgang für das Einsetzen einer neuen Dichtung **1** hinten in das Gehäuse.
- Sicherstellen, daß die Dichtung gut eingefettet und die korrekte Position hat. Das offene Ende der Dichtung ist auf die hinteren Spannbacken gerichtet.
- Der Zusammenbau erfolgt in umgekehrter Reihenfolge.

\* Verweist auf die im 0753 Mk II-Werkzeugsatz enthaltenen Teile. Für eine vollständige Liste siehe Seite 99.

Die **fettgedruckten** Positionsnummern verweisen auf die Übersichtszeichnungen und Ersatzteillisten für das jeweilige Modell auf Seite 106-107.

**Zerlegen 07530-02200 MkII**

---

**AUSLÖSERBAUGRUPPE**

- Um diese Baugruppe zu zerlegen/zu warten, die Abdeckungen wie vorher beschrieben vom Gerät entfernen.
- Sämtliche Luftschläuche von der Baugruppe abtrennen und darauf achten, daß sie nicht beschädigt werden. Baugruppe ausbauen.
- Mit einem Schlüssel\* den Halteeinsatz **49** losschrauben und entfernen. Darauf achten, daß die Feder **50** nicht verlorenght.
- Den O-Ring **53** entfernen, dabei darauf achten, daß die Spindel **54** und die Sitzflächen des Halteeinsatzes **49** nicht beschädigt werden.
- Reinigen und mit Hilfe eines neuen O-Rings **53** wieder zusammenbauen.
- Die ungespannte Länge der Feder **50** prüfen (diese muß 12,7 mm betragen) - diese ggf. erneuern.
- Der Zusammenbau erfolgt in umgekehrter Reihenfolge des Zerlegens.

**SPANNBACKEN-SCHALTVENTIL**

- Die Konstruktion der Einheit erfordert nur einen minimalen Wartungsaufwand während der Lebensdauer des Gerätes.
- Falls erforderlich, das Ventil wie folgt zerlegen:
- Luftschlauch von der Baugruppe abtrennen und darauf achten, daß er nicht beschädigt wird. Baugruppe entfernen.
- Mit einem Innensechskantschlüssel\* Schraube **27** für die Befestigung der Baugruppe am Lauf **25** lockern und die Baugruppe entfernen.
- Mit einem Schraubendreher\* Starlock-Chromscheibe **26** vorsichtig aus dem Spannbackenventil **29** ausbauen und fortwerfen.
- Spannbackenventil **29** aus Schaltblock **28** ziehen.
- O-Ringe **31** entfernen, dabei darauf achten, daß das Spannbackenventil **29** nicht beschädigt wird.
- Spannbackenventil reinigen und die Montagepatrone\* verwenden, um die neuen O-Ringe **31** in Schaltblock **28** einzuziehen, dabei auf korrekte Lage achten.
- Neue Starlock-Chromscheibe **26** einbauen, dabei einen Schraubstock mit weichen Backen verwenden, um eine Beschädigung zu verhüten. KEINE UNNÖTIGE KRAFT AUFWENDEN.
- Der Zusammenbau erfolgt in umgekehrter Reihenfolge des Zerlegens.

**SPANNBACKENDRUCK-RÜCKSCHLAGVENTIL**

- Das Rückschlagventil **21** befindet sich im Gerätehandgriff.
- Um das Rückschlagventil **21** zu entfernen/auszutauschen, auf die Trennwandfittings drücken und den blauen Plastikschlauch **23** an beiden Enden abziehen.
- Beim Wiedereinbau des Rückschlagventils **21** auf die richtige Einbaurichtung achten.

**HANDGRIFF UND HINTERE KAPPE**

- Formteile reinigen und auf Risse oder andere Schäden sichtprüfen.

**RÜCKLAUFSPERRE**

- Die mechanische Rücklaufsperrre **5** reinigen und hin und wieder mit etwas dünnflüssigem Öl einölen.

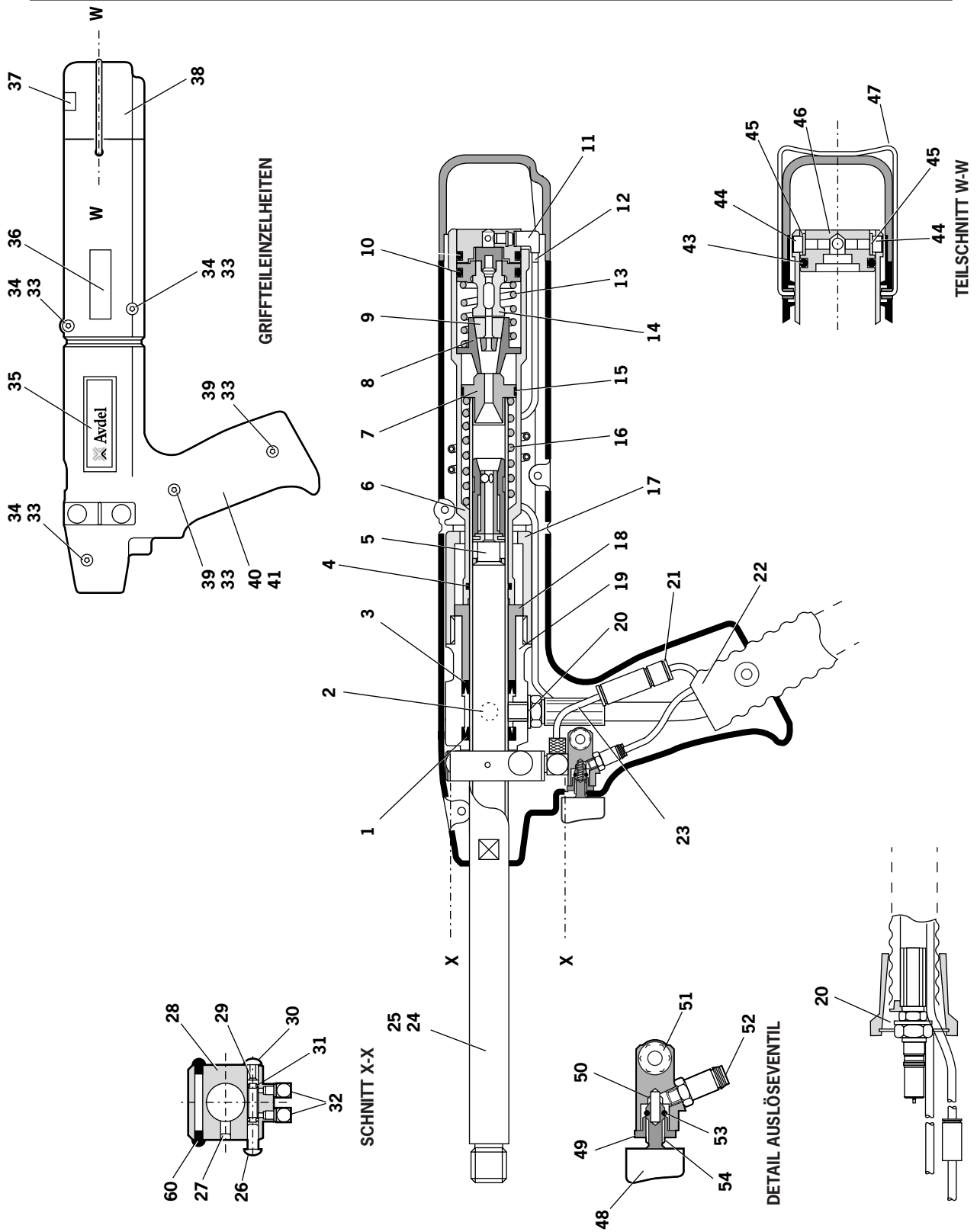
**W I C H T I G**

**Überprüfen Sie das Gerät gemäß der täglichen und wöchentlichen Instandhaltungsvorgaben.  
Nach Zerlegen des Gerätes und vor Inbetriebnahme ist IMMER ein Auffüllen erforderlich.**

\* Verweist auf die im 753 Mk II-Werkzeugsatz enthaltenen Teile. Für eine vollständige Liste siehe Seite 99.

Die **fettgedruckten** Positionsnummern verweisen auf die Übersichtszeichnungen und Ersatzteillisten für das jeweilige Modell auf Seite 104-105.

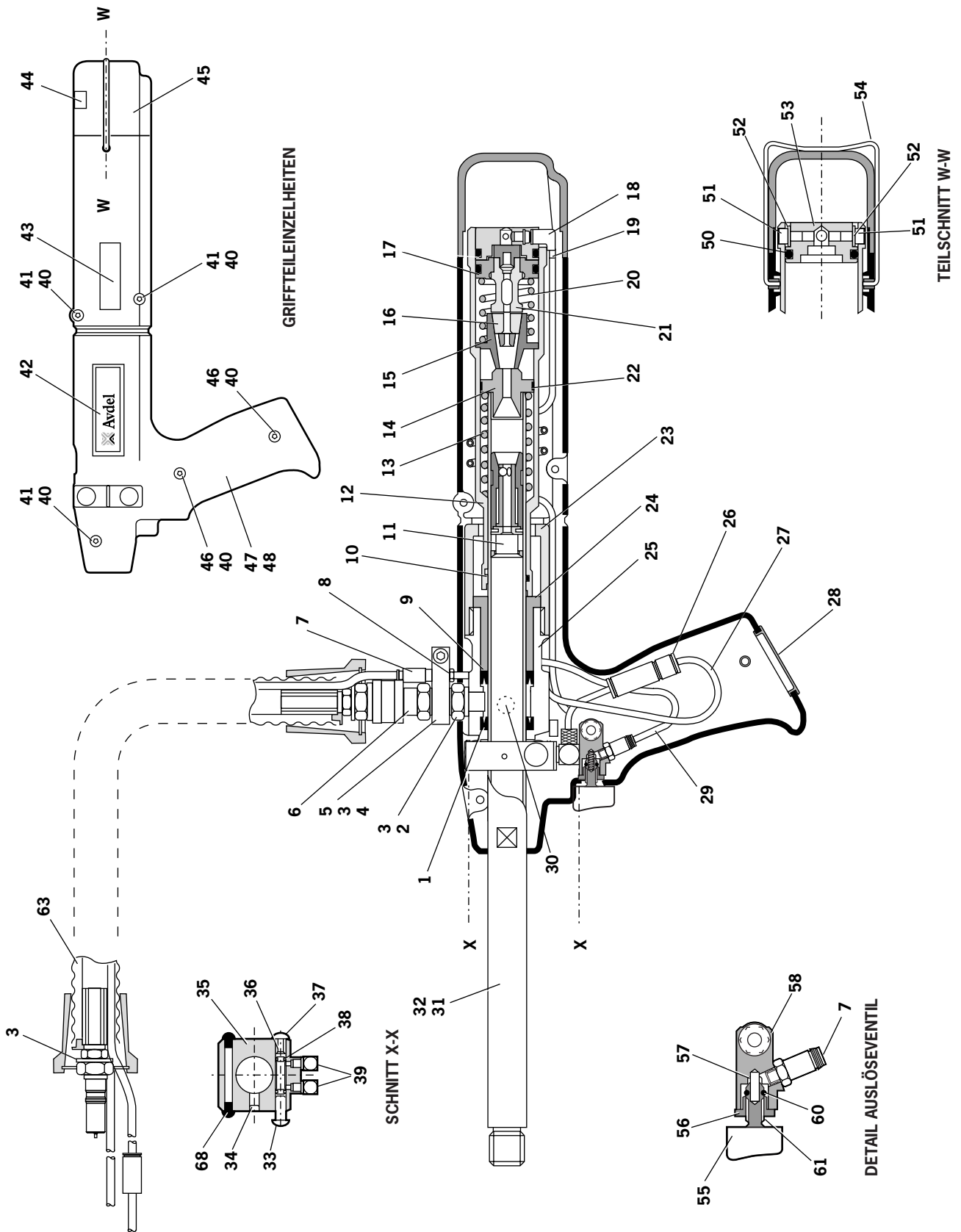
# Übersichtszeichnung der Nietpistole 07530-02200 MkII





ERSATZTEILLISTE 07530-02200										
POS.	ART-NR.	BENENNUNG	ANZ	ERSATZ	POS.	ART-NR.	BENENNUNG	ANZ	ERSATZ	
1	07003-00237	STANGENDICHTUNG	1	-	29	07530-02302	SPANNBACKENSTÜCK	1	-	
2	07530-00500	ENTLÜFTUNGSSCHRAUBE (POS. 56 bis 59)	1	-	30	07004-00059	STARLOCK-SCHWEIBE 1/8" SCHWARZ	1	-	
3	07003-00236	KOLBENDICHTUNG	1	-	31	07003-00121	O-RING	2	3	
4	07003-00167	O-RING	1	-	32	07005-01571	WINKELNIPPEL	2	-	
5	07271-01100	MECH. RÜCKLAUFSPERRE	1	-	33	07002-00134	SECHSKANTMUTTER M4	5	-	
6	07530-02207	SPANNBACKENZYLINDER	1	-	34	07001-00401	SCHRAUBE M4 x 10 LANG	3	-	
7	07530-02205	NIETDORNFÜHRUNG	1	-	35	07530-02210	AUFKLEBER	2	-	
8	07530-00208	SPANNBACKENPATRONE	1	-	36	07007-01504	AUFKLEBER, CE-ZEICHEN	1	-	
9	07151-00403	SPANNBACKEN	2	2	37	07007-01503	BUCHSYMBOL-AUFKLEBER	1	-	
10	07003-00113	O-RING	1	2	38	07530-02603	HINTERE KAPPE	1	-	
11	07005-01972	L-FÖRMIGER GEWINDENIPPEL	1	-	39	07001-00262	SCHRAUBE M4 x 22 LANG	2	-	
12	07530-02211	SPANNBACKENSCHLAUCH	1	-	40	07530-02601	GRIFFSCHALE (RECHTS)	1	-	
13	07154-00404	FEDER	1	-	41	07530-02602	GRIFFSCHALE (LINKS)	1	-	
14	07530-02800	SPANNBACKENKOLBEN	1	-	43	07003-00113	O-RING	1	-	
15	07530-00206	KLEMMRING	1	1	44	07001-00504	SCHRAUBE M4 x 6 LANG	2	2	
16	07490-03002	RÜCKHOLFEDER	1	-	45	07002-00153	PLASTIKSCHWEIBE M4	2	-	
17	07530-00204	HUBBEGRENZER	1	-	46	07530-02213	ENDSTÜCK	1	-	
18	07530-00203	KOLBEN	1	-	47	07530-02220	KLEMMFEDER	1	-	
19	07530-02202	GEHÄUSE	1	-	48	07007-00300	AUSLÖSER-TASTE	1	-	
20	07003-00142	DICHTUNG 1/8" BSP	2	2	49	07220-00803	HALTESTIFT	1	-	
21	07005-01973	RÜCKSCHLAGVENTIL	1	-	50	07125-00215	FEDER	1	-	
22	07008-00423	HYDRAULIKSCHLAUCHGRUPPE	1	-	51	07530-02311	AUSLÖSERGEHÄUSE	1	-	
23	07005-01083	PLASTIKSCHLAUCH BLAU 4 mm AUSSENØ	60mm	-	52	07005-01357	VERSCHRAUBUNG	1	-	
24	07007-00017	STAUBKAPPE	1	-	53	07003-00022	O-RING	1	-	
25	07530-02201	LAUF	1	-	54	07241-00208	SPINDEL	1	-	
26	07004-00058	STARLOCK-CHROMSCHWEIBE 1/8"	1	-	56	07003-00142	● VERBUNDDICHTUNG	1	1	
27	07001-00404	SCHRAUBE M5 x 6 LANG	1	-	57	07003-00194	● VERBUNDDICHTUNG	1	1	
28	07530-02301	SCHALTBLOCK	1	-	58	07001-00442	● SCHRAUBE	1	-	
					59	07530-00501	● STOPFEN	1	-	
					60	07530-00310	BLINDSTOPFEN	2	-	

# Übersichtszeichnung der Nietpistole 07532-02200 MkII



ERSATZTEILLISTE 07532-02200									
POS.	ART-NR.	BENENNUNG	ANZ	ERSATZ	POS.	ART-NR.	BENENNUNG	ANZ	ERSATZ
1	07003-00237	STANGENDICHTUNG	1	-	33	07004-00058	STARLOCK-CHROMSCHEIBE 1/8"	1	-
2	07532-00203	ADAPTER, OBERER SCHLAUCH	1	-	34	07001-00404	SCHRAUBE M5 x 6 LANG	1	-
3	07003-00142	DICHTUNG 1/8" BSP	4	2	35	07530-02301	SCHALTBLOCK	1	-
4	07532-02202	AUFHÄNGUNGSMONTAGEPLATTE	1	-	36	07530-02302	SPANNBACKENSTÜCK	1	-
5	07532-00205	GEÄNDERTE SCHRAUBE	1	-	37	07004-00059	STARLOCK-SCHEIBE 1/8" SCHWARZ	1	-
6	07005-00759	SELBSTSCHLIESSENDE KUPPLUNG	1	-	38	07003-00121	O-RING	2	3
7	07005-01357	VERSCHRAUBUNG	3	-	39	07005-01571	WINKELNIPPEL	2	-
8	07005-01325	GERADE STECKVERSCHRAUBUNG	2	-	40	07002-00134	SECHSKANTMUTTER M4	5	-
9	07003-00236	KOLBENDICHTUNG	1	1	41	07001-00401	SCHRAUBE M4 x 10 LANG	3	-
10	07003-00167	O-RING	1	1	42	07530-02210	AUFKLEBER	2	-
11	07271-01100	MECH. RÜCKLAUFSPERRE	1	-	43	07007-01504	AUFKLEBER, CE-ZEICHEN	1	-
12	07530-02207	SPANNBACKENZYLINDER	1	-	44	07007-01503	BUCHSYMBOL-AUFKLEBER	1	-
13	07490-03002	LAUF-RÜCKHOLFEDER	1	-	45	07530-02603	HINTERE KAPPE	1	-
14	07530-02205	NIETDORNFÜHRUNG	1	-	46	07001-00262	SCHRAUBE M4 x 22 LANG	2	-
15	07530-00208	SPANNBACKENPATRONE	1	-	47	07532-02208	GRIFFSCHALE (RECHTS)	1	-
16	07151-00403	SPANNBACKEN	2	2	48	07532-02209	GRIFFSCHALE (LINKS)	1	-
17	07003-00113	O-RING	1	2	50	07003-00113	O-RING	1	-
18	07005-01972	L-FÖRMIGER GEWINDENIPPEL	1	-	51	07001-00504	SCHRAUBE M4 x 6 LANG	2	2
19	07530-02211	SPANNBACKENSCHLAUCH	1	-	52	07002-00153	PLASTIKSCHEIBE M4	2	-
20	07154-00404	FEDER	1	-	53	07530-02213	ENDSTÜCK	1	-
21	07530-02800	SPANNBACKENKOLBEN	1	-	54	07530-02220	KLEMMFEDER	1	-
22	07530-00206	KLEMMRING	1	1	55	07007-00300	AUSLÖSER-TASTE	1	-
23	07530-00204	HUBBEGRENZER	1	-	56	07220-00803	HALTESTIFT	1	-
24	07530-00203	KOLBEN	1	-	57	07125-00215	FEDER	1	-
25	07530-02202	GEHÄUSE	1	-	58	07530-02311	AUSLÖSERGEHÄUSE	1	-
26	07005-01973	RÜCKSCHLAGVENTIL	1	-	60	07003-00022	O-RING	1	-
27	07005-01083	PLASTIKSCHLAUCH BLAU 4 mm AUSSEN-Ø	350 mm	-	61	07241-00208	SPINDEL	1	-
28	07532-02215	DICHTSTOPFEN	1	-	63	07008-00414	HYDRAULIKSCHLAUCH	1	-
29	07005-01084	PLASTIKSCHLAUCH SCHWARZ 4 mm AUSSEN-Ø	220 mm	-	64	07003-00142	● VERBUNDDICHTUNG	1	1
30	07530-00500	ENTLÜFTUNGSSTOPFEN	1	-	65	07003-00194	● VERBUNDDICHTUNG	1	1
31	07530-02201	LAUF	1	-	66	07001-00442	● SCHRAUBE	1	-
32	07007-00017	STAUBKAPPE	1	-	67	07530-00501	● STOPFEN	1	-
					68	07530-00310	BLINDSTOPFEN	2	

# Druckübersetzer 07531-02200 - Wartung

## Demontage Anleitung

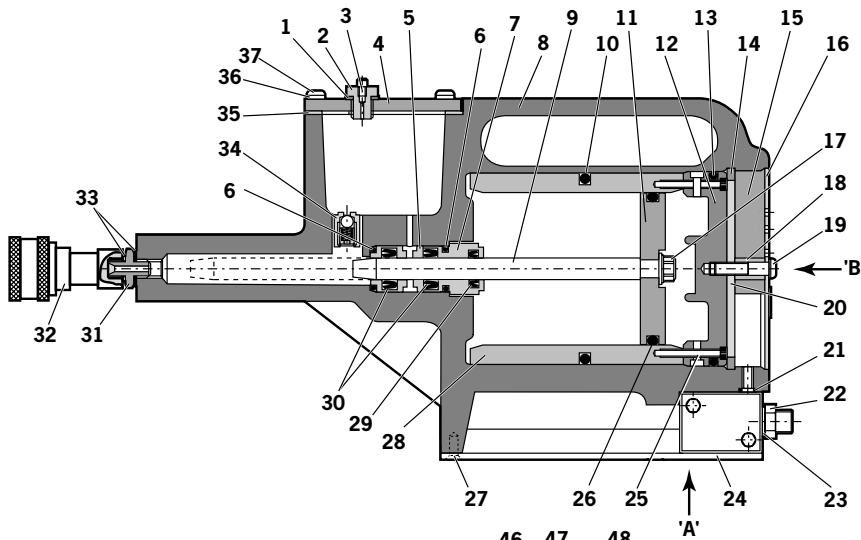
---

- Beim Zerlegen des Druckübersetzers zunächst die Druckluft vom Druckübersetzeranschluß **22** trennen.
- Mit Innensechskantschlüssel\* die vier Schrauben **27** lösen. Schutzplatte **24** abbauen.
- Den Auslöserschlauch (Pos. 22 auf Seite 104 oder Pos. 29 auf Seite 106) vom Druckübersetzerventil **43** oder **48** trennen, indem auf die Außenmanschette gedrückt und der Schlauch abgezogen wird.
- Abdeckplatte **4** und Dichtung **35** durch Abschrauben der Schrauben **37** und Scheiben **36** mit Hilfe eines Innensechskantschlüssels\* ausbauen.
- Sicherstellen, daß die Dichtung nicht beschädigt wurde, um beim Wiedereinbau eine gute Dichtung zu erzielen.
- Druckübersetzer umdrehen und das Öl aus den Behälter in einen geeigneten Auffangbehälter ablassen.
- Schnellverschlasskupplung **32** zusammen mit Verschraubung **31** und Dichtungen **33** mit Hilfe eines geeigneten Doppelmaulschlüssels\* ausbauen.
- Durch Entfernen der Befestigungsschrauben mit Hilfe eines geeigneten Doppelmaulschlüssels ist das Druckübersetzerventil **43** oder **48** auszubauen. Dabei darauf achten, daß der O-Ring **21** im Druckübersetzergehäuse festgehalten wird.
- Schraube **19** mit geeignetem Innensechskantschlüssel\* abschrauben. Filterdeckel **16**, Schalldämpfer **15**, Distanzhülse **18** und Halteplatte **20** ausbauen.
- Den 6 mm Plastikschlauch **41** von den Vakuumverschraubungen **42** abziehen.
- Durch die beiden Löcher im Boden des Druckübersetzers einen 3 mm Innensechskantschlüssel\* stecken und die Vakuumverschraubungen **42** abschrauben. Hinweis:
  - Vorsichtig vorgehen, da die Vakuumverschraubungen mit Loctite 574 in Einbaulage gesichert und abgedichtet sind.
  - Wenn Schwierigkeiten beim Ausbau der Vakuumverschraubungen auftreten, können diese mit einem 4,7 mm Bohrer ausgebohrt werden.
- Um die Vakuumverschraubungen **42** wieder einzubauen, ist gemäß folgendem Ablauf zu verfahren:
  - Die Vakuumverschraubungen mit einem geeigneten Auffüller behandeln, z. B. Perma Bond A905.
  - Einen Tropfen Loctite 574 in die Druckübersetzer-Gewindebohrung geben.
  - Durch das Loch im Boden des Druckübersetzers einen Innensechskantschlüssel\* stecken. Sicherstellen, daß der Innensechskantschlüssel frei von Loctite 574 ist, bevor er in die Vakuumverschraubung eingesteckt wird.
  - Den Innensechskantschlüssel drehen, während Loctite 574 auf die Unterseite der Vakuumverschraubung aufgetragen wird.
  - Die Vakuumverschraubung in den Druckübersetzer einschrauben und sicherstellen, daß sich soviel Loctite 574 an der Unterseite des Fittings befindet, bis das Gewinde nicht mehr sichtbar ist.
- Mit einem Schraubendreher vorsichtig den Innensicherungsring **14** abnehmen. Ringnut reinigen und auf Zeichen von Schaden sichtprüfen.
- Mit einem Auszieher\* Mundstück mit Außengewinde in Anschlußkappe **12** einschrauben und zusammen mit Druckübersetzungshülse **28** und O-Ringe **10** sowie **13** herausziehen.
- Eine Stange\* durch das Verschraubungsloch vorne am Druckübersetzergehäuse stecken und die Kolbenstange **9** mit Kolben komplett herausklopfen.
- Mit geeignetem Innensechskantschlüssel\* zwei Schrauben **25** abschrauben und Anschlußkappe **12** aus der Druckübersetzerhülse **28** ziehen.
- Kolbenstangenführung **7** mit einem Doppelmaulschlüssel\* entfernen.
- Eine Stange\* durch das Verschraubungsloch vorne am Druckübersetzergehäuse einsetzen und Dichtungsaufnahme **5** mit zugehörigen O-Ringen herausdrücken.
- Ventilgehäuse **34** mit geeignetem Doppelmaulschlüssel\* aus dem Hauptgehäuse ausbauen. Mittels Niederdruck-Druckluftpistole reinigen.
- Kolbenstange **9** vom Kolben **11** abnehmen, dabei zuerst die vorderen 20 mm der Stange in einen Schraubstock mit weichen Backen\* einspannen und darauf achten, die Arbeitsfläche nicht zu beschädigen oder zu markieren.
- Kontermutter **17** mit geeignetem Maultschlüssel\* abschrauben.
- Der Zusammenbau erfolgt in umgekehrter Reihenfolge, dabei die nachstehenden Punkte beachten:
  - Alle Teile reinigen und alle O-Ringe austauschen.
  - Alle Dichtungen mit Molythiumfett einschmieren.
  - Das Ventilgehäuse **34** muß mit einer Gewindedichtmasse wieder angebaut werden.
  - Den Kolben mit der neuen Mutter **17** zusammenbauen.
  - Die Anschlußkappe **12** muß korrekt im Innensicherungsring **14** eingebaut werden. Das Gerät darf ohne Anschlußkappe nicht betrieben werden.

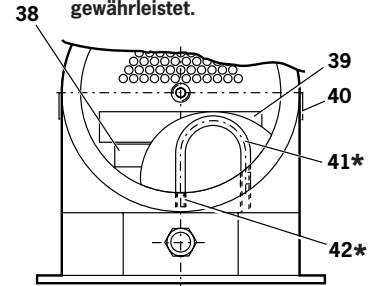
### W I C H T I G

**Nach Zerlegen des Gerätes und vor Inbetriebnahme ist IMMER ein Auffüllen erforderlich.**

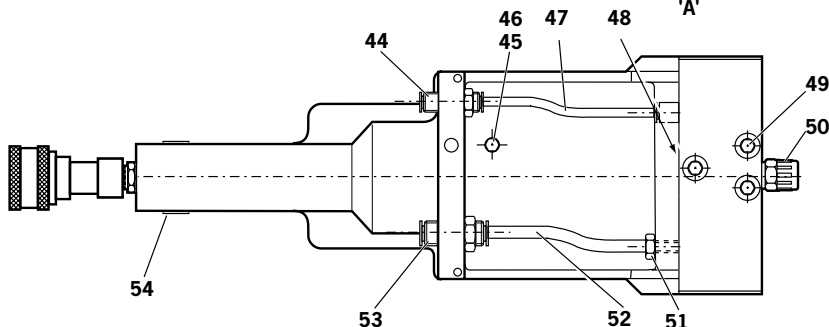
\* Verweist auf die im 0753 Mk II-Werkzeugsatz enthaltenen Teile. Für eine vollständige Liste siehe Seite 99. Die **fettgedruckten** Positionsnummern verweisen auf gegenüberliegende Zeichnung und Ersatzteilliste.



**Note**  
 \*Diese Teile sind in einigen  
 Geräten nicht enthalten.  
 (Die erforderliche  
 Verbindung wird über  
 interne Kanäle  
 gewährleistet.)

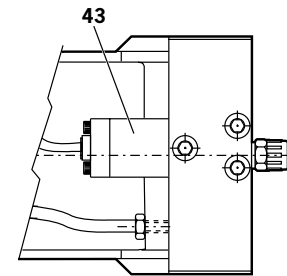


ANSICHT AUF PFEIL "B"



ANSICHT AUF PFEIL "A"

ANSICHT DES FESTO-VENTILS



ANSICHT DES COMPAIR-VENTILS

## ERSATZTEILLISTE 07531-02200

POS.	ART-NR.	BENENNUNG	ANZ	ERSATZ	POS.	ART-NR.	BENENNUNG	ANZ	ERSATZ
1	07003-00037	DICHTUNG	1	1	28	07531-00201	DRUCKÜBERSETZERHÜLSE	1	-
2	07240-00211	VERSCHLUSSSCHRAUBE	1	-	29	07003-00337	LIPPENDICHTUNG	1	1
3	07001-00418	ENTLÜFTUNGSSCHRAUBE	1	1	30	07003-00336	LIPPENDICHTUNG	2	2
4	07240-00210	ABDECKPLATTE	1	-	31	07005-00406	VERSCHRAUBUNG	1	-
5	71420-02006	DICHTUNGS-AUFNAHME	1	-	32	07005-00759	SCHNELLÖSEVERSCHRAUBUNG	1	-
6	07003-00153	O-RING	2	-	33	07003-00142	DICHTUNG	2	1
7	71420-02007	DICHTUNGSSTOPFEN	1	-	34	07240-00400	VENTILGEHÄUSE	1	-
8	71420-02300	GEHÄUSE	1	-	35	07240-00209	DICHTUNG	1	1
9	71420-02008	KOLBENSTANGE	1	-	36	07002-00073	SCHEIBE	4	1
10	07003-00182	O-RING	1	1	37	07001-00554	SCHRAUBE	4	1
11	07531-00202	DRUCKLUFTKOLBEN	1	-	38	07007-01504	AUFKLEBER	1	-
12	07531-00204	ANSCHLUSSKAPPE	1	-	39	07240-00217	AUFKLEBER	1	-
13	07003-00183	O-RING	1	1	40	07531-00205	AUFKLEBER	2	-
14	07004-00069	SICHERUNGSRING	1	1	41	07005-00596	* PLASTIKSCHLAUCH 6 mm	-	-
15	07240-00213	SCHALLDÄMPFER	1	1	42	07245-00103	* VAKUUMVERSCHRAUBUNG	2	-
16	07240-00214	FILTERDECKEL	1	-	43	07005-00590	COMPAIR-VENTIL	1	1
17	07002-00017	MUTTER	1	1	44	07005-01431	STIRNWANDVERSCHRAUBUNG	1	1
18	07240-00215	DISTANZHÜLSE	1	-	45	07005-00668	KOLBENSTANGENFÜHRUNG M5	1	-
19	07001-00417	SCHRAUBE	1	1	46	07005-00670	DICHTUNGSRING M5	1	-
20	07240-00216	HALTEPLATTE	1	-	47	07005-01084	PLASTIKSCHLAUCH 4 mm (150 mm)	-	-
21	07003-00042	O-RING	1	1	48	07005-01524	FESTO-VENTIL	1	-
22	07005-00041	VERSCHRAUBUNG	1	-	49	07001-00176	SCHRAUBE	3	-
23	07003-00065	SCHEIBE	1	-	50	07007-00292	STAUBKAPPE 1/4" BSP	1	-
24	07240-00220	SCHUTZPLATTE	1	-	51	07005-00647	VERSCHRAUBUNG	1	-
25	07001-00375	SCHRAUBE	2	-	52	07005-01085	PLASTIKSCHLAUCH 6 mm (150 mm)	-	-
26	07003-00238	O-RING	1	1	53	07005-00855	STIRNWAND-ANSCHLUSSSTÜCK	1	-
27	07001-00396	SCHRAUBE	4	-	54	07007-01503	AUFKLEBER	1	-

# Vorsteuerventil 07005-00590 - Wartung

## Anleitung zum DEMONTAGE

---

Bitte darauf achten, daß sich diese Wartungsanweisungen auf das Compair-Ventil, wenn montiert, beziehen.

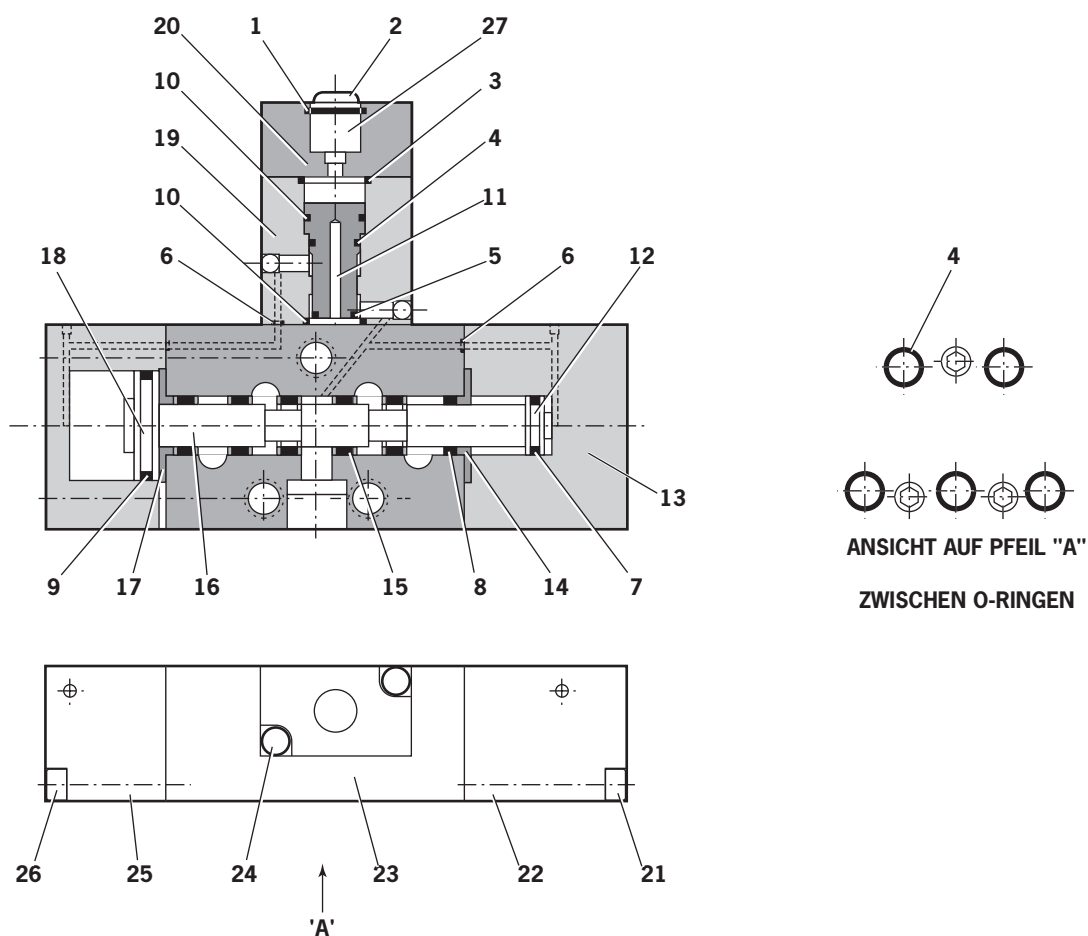
Die Wartung des Ventils ist auf Ausbau/Ersatz der O-Ringe begrenzt.

- Schrauben **24** abschrauben und Vorsteuerventil abnehmen.
- Kolben **11** ausbauen und O-Ringe **3, 10, 4** und **5** fortwerfen.
- Schrauben **26** und **21** abschrauben und hintere Kappen **22** und **25** ausbauen.
- Kolben **12** und **18** herausziehen und O-Ringe **7** und **9** von den Kolben abziehen.
- Ventilkolben **16** aus der Bohrung ziehen. Dabei darauf achten, daß seine Oberfläche nicht beschädigt wird. Aufnahmescheiben **14** und **17**, O-Ring **8**, Abstandshülse **15** und O-Ring **6** auf jeder Seite des Ventilgehäuses ausbauen.
- Fünf O-Ringe **4** ausbauen.
- ALLE ausgebauten O-Ringe fortwerfen.
- Sämtliche Teile mit Paraffin oder Brennspritus reinigen. KEINE LÖSUNGSMITTEL VERWENDEN. Alle Teile trocknen.
- Die Bohrungen von Ventilgehäuse **23**, Vorsteuerventilgehäuse **19**, die beiden hinteren Kappen **22** und **25** sowie alle Ersatz-O-Ringe mit CENTOPLEX 2 Fett leicht einschmieren.
- Neue O-Ringe **10, 4** und **5** am Kolben **11** anbringen und den Kolben in das Vorsteuerventilgehäuse einsetzen.
- Neue O-Ringe **3, 10** und **6** in das Vorsteuerventilgehäuse einbauen, die obere Kappe **20** aufsetzen und das Vorsteuerventil mit den Schrauben **24** am Hauptventilgehäuse **23** befestigen. Sicherstellen, daß die Dichtungsaufnahme nach oben zeigt mit dem G1/4 unten nach. Sicherstellen, daß die Lage des Kolbens **11** korrekt ist.
- Während das Hauptventilgehäuse **23** in der gleichen Position bleibt, die grüne Aufnahmescheibe **17** auf der linken Seite des Ventils einbauen.
- An der rechten Ventiltseite beginnend, die O-Ringe **8** und Distanzhülsen **15** (6 Dichtungen und 5 Distanzhülsen) abwechselnd einbauen und zuletzt den Stapel mit der weißen Aufnahmescheibe **14** vervollständigen.
- Ventilkolben **16** mit dem im Werkzeugsatz gelieferten CENTOPLEX 2 Fett leicht einschmieren. Ventilkolben durch den Stapel von O-Ringe/Distanzhülsen schieben.
- Neue O-Ringe **9** und **7** an die entsprechenden Kolben **18** und **12** montieren, und O-Ringe **6** am Hauptventilgehäuse **23** anbringen.
- Kolben in die hinteren Kappen **25** und **22** einsetzen. Hintere Kappen am Ventil zusammenbauen. Darauf achten, daß die Kolbenstangen in den Löchern in den Enden des Ventilkolbens **16** aufgenommen werden.
- Hintere Kappen vom Hauptventilgehäuse **23** mit Schrauben **26** und **21** befestigen.
- O-Ringe **4** in ihre Gehäuse im Hauptventilgehäuse einsetzen.
- Wenn der Rohranschluß zum Vorsteuerventil beschädigt ist, Kunststoffzwischenstück **2** austauschen und den O-Ring **1** aus der Patrone **27** herausheben.
- Neuen O-Ring **1** einbauen und Kunststoffzwischenstück **2** in die Patrone einsetzen.

### W I C H T I G

**Nach Zerlegen des Gerätes und vor Inbetriebnahme ist IMMER ein Auffüllen erforderlich.**

Die **fettgedruckten** Positionsnummern verweisen auf gegenüberliegende Zeichnung und Ersatzteilliste.



07005-00590 VENTIL-ERSATZTEILLISTE									
POS.	ART-NR.	BENENNUNG	ANZ	ERSATZ	POS.	ART-NR.	BENENNUNG	ANZ	ERSATZ
1	07005-00599	* O-RING	-	-	15	-	† DISTANZHÜLSE	5	-
2	07005-00598	* KUNSTSTOFFZWISCHENSTÜCK	-	-	16	-	† VENTILKOLBEN	1	-
3	07003-00204	* O-RING	1	-	17	-	† SCHEIBE	1	-
4	07003-00103	* O-RING	6	-	18	-	† KOLBEN	1	-
5	07003-00042	* O-RING	1	-	19	-	† GEHÄUSE	1	-
6	07003-00121	* O-RING	4	-	20	-	† OBERE KAPPE	1	-
7	08005-00127	* O-RING	1	-	21	-	† SCHRAUBE	2	-
8	07003-00105	* O-RING	6	-	22	-	† HINTERE KAPPE	1	-
9	07003-00178	* O-RING	1	-	23	-	† GEHÄUSE	1	-
10	07003-00017	* O-RING	2	-	24	-	† SCHRAUBE	2	-
11	-	† KOLBEN	1	-	25	-	† HINTERE KAPPE	1	-
12	-	† KOLBEN	1	-	26	-	† SCHRAUBE	2	-
13	07005-00590	VENTIL	-	-	27	-	† PATRONE	1	-
14	-	† SCHEIBE	1	-					

\* Diese Teile bilden zusammen einen Werkzeugsatz für das Ventil mit einer zusätzlichen Tube CENTOPLEX-2-Fett. Der Satz wird unter Teilnummer 07005-01538 von Avdel geliefert.

† Nicht als Ersatzteil erhältlich

# Auffüllen

---

Nach dem Zerlegen des Gerätes und vor Inbetriebnahme ist **IMMER** ein Auffüllen erforderlich. Es kann auch notwendig werden, den vollen Hub nach längerem Gebrauch wiederherzustellen, wenn der Hub geringer geworden ist und Niete nicht vollständig durch einmaliges Betätigen des Auslösers gesetzt werden.

## Öleinheiten

---

Die empfohlenen Ölsorten für das Auffüllen sind Hyspin VG32 und AWS 32 die in 0,5 l Behältern (Artikelnummer 07992-00002) oder 1 Gallonen Behältern (Artikelnummer 07992-00006) erhältlich sind. Siehe nachstehend angegebene Sicherheitsdaten.

## Ölsicherheitsdaten für Hyspin VG 32 und AWS 32

---

### Erste Hilfe

#### HAUT:

Sobald wie möglich gründlich mit Seife und Wasser waschen. Ein zufälliger Kontakt erfordert keine sofortigen Maßnahmen. Ein kurzzeitiger Kontakt erfordert keine sofortigen Maßnahmen.

#### EINNEHMEN:

Sofort ärztliche Hilfe aufsuchen. **KEINEN** Brechreiz herbeiführen.

#### AUGEN:

Sofort mehrere Minuten lang mit Wasser ausspülen. Obgleich **KEIN** hauptsächlich Reizmittel, können geringe Reizerscheinungen nach einem Kontakt auftreten.

### Brand

Geeignete Löschmittel: CO<sub>2</sub>, Trockenpulver, Schaum oder Wasserdampf. **KEINEN** Wasserstrahl verwenden.

### Umgebung

**ABFALLENTSORGUNG:** Durch autorisierten Unternehmer auf eine zugelassene Mülldeponie. Kann verbrannt werden.

Verbrauchtes Öl kann zur Wiedergewinnung zurückgesandt werden.

**VERSCHÜTTUNGEN:** Ein Eindringen in Kanäle, Abflüsse und Wasserläufe verhindern. Mit absorbierendem Stoff aufsaugen.

### Handhabung

Schutzbrille, undurchdringliche Handschuhe (z.B. PVC) und eine Kunststoffschürze tragen. In gut belüftetem Raum verwenden.

### Lagerung

Keine besonderen Vorsichtsmaßnahmen.

## Auffüllvorgang

---

### WICHTIG

#### **DEN AUSLÖSER NICHT BEI ENTFERNTER ENTLÜFTUNGSSCHRAUBE BETÄTIGEN.**

**Sämtliche Arbeitsvorgänge sind auf einer sauberen Werkbank, mit sauberen Händen und in einer sauberen Bereich durchzuführen.**

**Sicherstellen, dass das Öl absolut sauber und frei von Luftblasen ist.**

**Es MUSS stets darauf geachtet werden, dass keine Fremdstoffe in das Gerät eindringen, da es sonst zu schweren Schäden kommen kann.**

- Die Schraube **2** und Dichtung **1** von der auf dem Druckübersetzerbehälter befindlichen Kunststoffabdeckplatte **4** entfernen.
- Öl in den Behälter einfüllen, bis der Ölstand etwa 12 mm unter dem oberen Rand steht.
- Die Schraube **2** und Dichtung **1** ersetzen.
- Druckübersetzer mit der Druckluftversorgung verbinden. Schraube vom Behälter abschrauben.
- Während die Pistole am Druckübersetzer angebaut ist und unter die Höhe des Druckübersetzers gehalten wird, die Entlüftungsschraube **58** aus der Entlüftungsstopfenbaugruppe **2** am 07530 Mk II Gerät oder die Entlüftungsschraube **66** aus der Entlüftungstopfenbaugruppe **30** am 07532 Mk II Gerät zwei Umdrehungen herausschrauben und das Öl aus dem Gerät herausfließen lassen.
- Sobald das Öl ungehindert und frei von Luftblasen austritt, die Entlüftungsschraube anziehen.
- Druckübersetzerbehälter mit Öl nachfüllen.
- Den Auslöser betätigen, bis alle im Öl vorhandenen Luftblasen in den Ölbehälter ausgestoßen sind.

Die **fettgedruckten** Positionsnummern verweisen auf die Übersichtszeichnungen und Ersatzteillisten auf Seite 104-109.



STÖRUNG	MÖGLICHE URSACHE	ABHILFE	SEITENVERWEIS
Der Niet wird nicht gesetzt.	Ungenügender Luftdruck.	Luftdruck erhöhen.	
	Ungenügende Schmierung.	Gerät am Druckluftanschluß schmieren.	
	Setzkraft zu hoch.	Klemmbereich und Lochdurchmesser prüfen.	
	Auf Nietdorn der korrekten Größe prüfen.		
	Spannbacken verschlissen oder gebrochen.	Spannbacken ersetzen.	
	Spannbacken abgeschaltet.	Spannbacken einschalten.	
	Luft im Hydrauliksystem.	Siehe 'Auffüllvorgang'.	112
"Nietdornschlupf" - Spannbacken klemmen den Nietdorn nicht.	Spannbacken verschlissen oder verschmutzt.	Reinigen oder falls erforderlich ersetzen.	
	Ungenügender Luftdruck/ungenügende Fördermenge.	Luftdruck/Fördermenge erhöhen.	
	Spannbackenschaltventil funktionsunfähig.	Schaltventil ersetzen.	
	Luftundichtheit an Spannbacken.	O-Ringe am Kolben <b>8</b> erneuern.	
	Nietdorn gebrochen und erreicht nicht die Spannbacken.	Nietdorn ersetzen.	
	Rückschlagventil defekt.	Rückschlagventil ersetzen.	
Kein Lösen des Nietdorns in den Spannbacken.	Schmutzansammlung in Spannbacken oder Spannbackenpatrone.	Reinigen und fetten.	
	Fehlerhaftes Spannbackenschaltventil.	O-Ringe ersetzen.	
Keine Zuführung der Niete durch die Mundstücke.	Spannbacken nicht eingeschaltet.	Spannbacken einschalten.	
	Spannbacken verschlissen.	Spannbacken ersetzen.	
	Falsche Lage der Rücklaufsperr.	Wieder einbauen und auf korrekte Lage achten.	
	Falsche Rücklaufsperr.	Richtige Rücklaufsperr montieren	
	Falsche Mundstücke.	Korrekte Mundstücke einbauen.	
	Nietdornfeder nicht eingebaut.	Korrekte Nietdornfeder einbauen.	
	Falscher Abstand zwischen Nietkopf und Mundstücken nach dem Laden.	Abstand auf 1,5 - 3 mm einstellen (siehe "Laden des Gerätes").	86
	Rücklaufsperr klemmt.	Rücklaufsperr reinigen und einölen.	
	erlahmte Außenfeder an der Rücklaufsperr.	Rücklaufsperr austauschen.	
Falsche Nietdornfeder eingebaut.	Korrekte Nietdornfeder einbauen.		
Übermäßiger Spannbackenverschleiß.	Hohe Setzkraft.	Lochdurchmesser und Blechdicke sowie Nietenklemmlänge überprüfen.	
Zuführung von mehr als einem Niet.	Nietdornschlupf.	Wie unter "Nietdornschlupf", Stufe 2, prüfen.	
	Falscher Abstand zwischen Nietkopf und Mundstück nach dem Laden.	Abstand auf 1,5 - 3 mm einstellen (siehe "Gerät laden").	86

Andere Symptome oder Störungen sind Ihrem zuständigen Avdel-Händler oder -Reparaturcenter mitzuteilen.

# Anmerkungen

---

# Konformitätserklärung

Wir, Avdel UK Limited; Watchmead Industrial Estate, Welwyn Garden City, Hertfordshire, AL7 1LY erklären unter unserer alleinigen Verantwortung, dass das Produkt:

**Typ 0753 Mk II, Modelltypen 07530 - 07532**

Handgerät Serien-Nr.

Druckübersetzer Serien-Nr.

auf das sich diese Erklärung bezieht, den nachstehend aufgeführten Normen entspricht:

EN ISO 12100 - Teile 1 & 2

BS EN ISO 8662 - Teil 6

BS EN ISO 3744

ISO EN 792 - Teil 13-2000

BS EN ISO 11202

BS EN 982

BS EN 983

gemäß den Maßgaben der Maschinenrichtlinie 98/37/EC



A. Seewraj - Leiter für Produkttechnik - Automatisierungswerkzeuge

Ausgabedatum

[Redacted date]



**Diese Verpackung enthält ein Gerät, das der Maschinenrichtlinie 98/37/EC entspricht. Die „Konformitätserklärung“ liegt bei.**



# Indice

<b>Norme di sicurezza</b>	118	<b>Istruzioni di smontaggio</b>	
<b>Specifiche tecniche</b>		Smontaggio 07530-02200 MkII	138-139
Specifiche attrezzo tipo 0753 MkII	119	Smontaggio 07532-02200 MkII	140-141
Specifiche intensificatore 07531	119	Schema generale ed elenco componenti 07530-02200 MkII	142-143
<b>Ambito di utilizzo</b>	120	Schema generale ed elenco componenti 07532-02200 MkII	144-145
Dimensioni attrezzo	121	Intensificatore 07531-02200	146-147
<b>Messa in servizio</b>		Ricambi valvola pilota 07005-00590	148-149
Alimentazione aria	122	<b>Rabbocco dell'olio</b>	
Cursore meccanico	123	Specifiche olio	150
Cursore	124	Scheda tecnica di sicurezza olio	150
Caricamento e ricaricamento	124-125	Hyspin VG 32 e AWS 32	
Procedura operativa	125	Procedura di rabbocco	150
Identificazione e posizionamento molle organo orientabile mandrino	126	<b>Diagnostica</b>	
<b>Equipaggiamento</b>		Malfunzionamenti, cause possibili e soluzioni	151
Testate	127		
Selezione testata	128		
Tabella selezione testate	129-130		
Molle mandrini e organi mobili mandrini	131		
Tabelle selezione Chobert® e Grovit®	131-132		
Tabelle selezione Briv®	133-134		
Tipi testa mandrino e lunghezza 'P'	134		
Avlug®, Avsert®, Avtronic® e Rivscrew®	135		
Tabelle selezione			
<b>Manutenzione</b>			
Quotidiana / settimanale	136		
Scheda sicurezza grasso al molitio EP 3735	136		
Corredo di manutenzione	137		

## Garanzia

**Gli attrezzi Avdel sono accompagnati da garanzia per un periodo di dodici mesi contro difetti nei materiali o nella manodopera. La garanzia decorre dalla data di consegna comprovata da fattura o bolla di consegna.**

**La garanzia è a favore dell'utente/acquirente e copre esclusivamente gli attrezzi acquistati dallo stesso presso rivenditori autorizzati e utilizzati nell'ambito delle funzioni previste. La garanzia decade se non vengono rispettate le istruzioni contenute nel manuale d'istruzione e se non vengono effettuati gli interventi di manutenzione previsti nei manuali d'istruzione e di manutenzione.**

**Nel caso si riscontrino difetti o si verifichino malfunzionamenti, Avdel provvederà, a propria discrezione, alla riparazione o sostituzione dei componenti difettosi.**

# Norme di sicurezza

---

**Il presente manuale d'istruzione deve essere letto dal personale addetto all'installazione, funzionamento e manutenzione dell'attrezzo prestando particolare attenzione alle norme di sicurezza sotto elencate.**

- 1 Non utilizzare l'attrezzo per scopi diversi da quelli specificati.
- 2 L'attrezzo (pistola) e l'intensificatore sono stati collaudati individualmente e come gruppo. Devono essere impiegati esclusivamente insieme e solo per le funzioni per le quali sono stati concepiti.
- 3 Non impiegare con il presente attrezzo/macchina equipaggiamenti o apparecchiature diverse da quelli raccomandati e forniti da Avdel.
- 4 L'utente è responsabile delle modifiche eseguite dallo stesso alla macchina/attrezzo, testate, accessori e altri equipaggiamenti forniti da Avdel o dal proprio rappresentante. Avdel è disposta a fornire la propria consulenza su eventuali proposte di modifica.
- 5 L'attrezzo/macchina deve essere mantenuto in condizioni di sicurezza in qualsiasi momento e controllato a intervalli regolari da personale qualificato e addestrato all'uso per verificarne il funzionamento e rilevare eventuali danni. Le operazioni di smontaggio devono essere eseguite esclusivamente da personale a conoscenza delle procedure di lavoro di Avdel. Non smontare il presente attrezzo/macchina senza prima aver letto le istruzioni di manutenzione. Per fornire al personale l'addestramento necessario, rivolgersi a Avdel.
- 6 L'attrezzo/macchina deve essere sempre impiegato in conformità alle normative di legge sulla sicurezza e protezione della salute sul lavoro. Nel Regno Unito la materia è regolata dalla legge "Health and Safety at Work etc. Act 1974" (Salute e sicurezza sul lavoro). In caso occorrono chiarimenti sull'impiego corretto dell'attrezzo/macchina e sulla sicurezza dell'operatore, rivolgersi a Avdel.
- 7 Le precauzioni da osservare durante l'impiego dell'attrezzo/macchina devono essere illustrate dall'utente a tutti gli operatori.
- 8 Scollegare sempre l'alimentazione dell'aria dall'attacco di ingresso dell'attrezzo/macchina prima di regolare, montare o smontare la testata.
- 9 Non puntare l'attrezzo verso l'operatore o altre persone che si trovino in vicinanza.
- 10 Trovare una posizione ben stabile prima di utilizzare l'attrezzo/macchina.
- 11 Controllare che i fori di sfogo non si blocchino né che vengano coperti e che i tubi siano sempre in buone condizioni.
- 12 La pressione di esercizio non deve superare 7 bar - (100 lbf/in<sup>2</sup>).
- 13 La scelta del bullone strutturale a strappo e del mandrino in funzione delle dimensioni del foro e dello spessore dell'applicazione deve essere operata in conformità con le specifiche Avdel.
- 14 Non impiegare l'attrezzo senza testata completa a meno che non venga diversamente specificato.
- 15 Quando l'attrezzo è in funzione, l'operatore e le persone in vicinanza devono indossare occhiali protettivi a riparo contro l'espulsione di inserti nel caso vengano ribaditi "a vuoto". Si raccomanda inoltre di indossare guanti protettivi se il pezzo in lavorazione presenta bordi o angoli taglienti.
- 16 Fare attenzione a evitare che vestiti, cravatte, capelli, stracci di pulizia ecc. vengano afferrati dal meccanismo dell'attrezzo. Mantenere l'attrezzo pulito e asciutto per assicurare la presa salda e sicura dello stesso.
- 17 Durante gli spostamenti tenere le mani lontano dalla leva per evitare di azionare l'attrezzo accidentalmente.
- 18 Evitare il più possibile di entrare in contatto con l'olio idraulico. Lavarsi a fondo per minimizzare i rischi di reazioni allergiche.

## **I M P O R T A N T E**

**In condizioni di utilizzo normale, i mandrini si macchiano e vengono sottoposti a un livello accettabile di usura: occorre comunque ispezionarli regolarmente per verificare che l'usura e lo sporco non siano eccessivi, specialmente lungo il diametro della testa e la porzione delle ganasce che afferra il gambo; controllare inoltre che il gambo non venga eccessivamente forato e che il mandrino non sia distorto. Se il mandrino non è in buone condizioni, può venire espulso dall'attrezzo. L'utente è responsabile della condizione del mandrino e deve accertarsi che venga sostituito prima che si usuri eccessivamente e in ogni caso prima di raggiungere il numero di ribaditure massimo raccomandato. Per conoscere tale numero limite, rivolgersi al proprio rivenditore Avdel che misurerà il carico di ribaditura dell'applicazione specifica con un attrezzo di misura calibrato. Questo tipo di attrezzo può anche essere acquistato (codice parte: 07900-09080) insieme a tutte le informazioni necessarie per effettuare test in questo manuale.**

# Specifiche tecniche

Italiano

## Specifiche per l'attrezzo del Tipo 0753 Mk II

---

<b>Pressione Aria</b>	Minima - Massima	5 - 7 bar (70 - 100 lbf/in <sup>2</sup> )
<b>Volume d'aria Libera Necessaria</b>	a 5,1 bar / 75 lbf/in <sup>2</sup>	2,6 l (,09 ft <sup>3</sup> )
<b>Corsa</b>	Minima	30 mm (1,18 in)
<b>Forza di Trazione</b>	a 5,5 bar / 80 lbf/in <sup>2</sup>	3,89 kN (875 lbf)
<b>Tempo Ciclo</b>	Circa	1 secondo
<b>Livello di Rumore</b>	meno di	70 dB(A)
<b>Peso</b>	Pistola	1,2 kg (2,64 lb)
<b>Vibrazioni</b>	meno di	2,5 m/s <sup>2</sup> (8 ft/s <sup>2</sup> )

## Specifiche dell'intensificatore 07531

---

<b>Pressione Aria</b>	Minima - Massima	5 - 7 bar (70 - 100 lbf/in <sup>2</sup> )
<b>Rapporto di Intensificazione</b>		32:1

# Ambito di Utilizzo

Le caratteristiche di progettazione dell'attrezzo oleopneumatico tipo 0753 MkII ne prevedono l'impiego con i bulloni strutturali a strappo a piazzamento rapido Avdel® (fatta eccezione per rivetti Avlug® da 1/16"). È l'attrezzo ideale da usare nelle linee o isole di assemblaggio in un'ampia gamma di applicazioni e in tutti i settori industriali.

L'attrezzo (pistola) e l'intensificatore sono stati collaudati individualmente e come gruppo. Devono essere impiegati esclusivamente insieme e solo per le funzioni per le quali sono stati concepiti. Per le istruzioni di collegamento, vedi sezione "Messa in servizio" a pag. 122.

Entrambi i modelli 07530 Mk II e 07532 Mk II presentano le stesse caratteristiche di maneggevolezza e leggerezza. L'unica differenza risiede nell'ubicazione dell'attacco del tubo: nel modello 07532 Mk II è situato in posizione superiore permettendo di appendere l'attrezzo a una piastra di supporto apposita (vedi disegno pagina successiva). I codici parte mostrati si riferiscono all'attrezzo completo, compresi intensificatore e dotazione tubi completa, senza testata.

Il numero dell'attrezzo (pistola) del modello 07530 MkII è 07530-02200; quello del modello 07532 MkII è 07532-02200. Vedi schemi generali alle pagine 142-145.

Entrambi i modelli sono in grado di ribadire lo stesso tipo di rivetti (e gran parte dei rivetti da caricatore), come mostrato nella tabella sotto riportata.

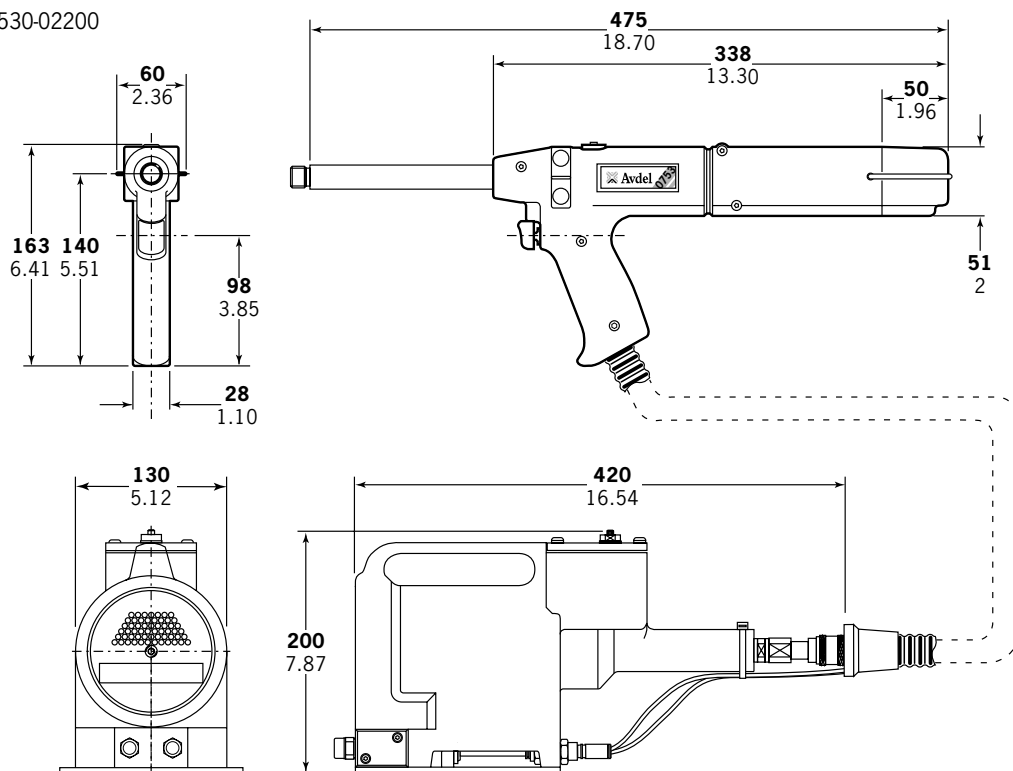
Entrambi i modelli montano la stessa testata. Per selezionare i componenti adatti al tipo e alle dimensioni dei bulloni strutturali a strappo da impiegare nella propria applicazione, consultare la sezione Equipaggiamento del presente manuale (pagine 126-135). Le dimensioni delle testate sono riportate alle pagine 127-129.

NOME RIVETTO	DIMENSIONE RIVETTO											
	2,4mm	3,2mm	4,0mm	4,8mm	6,4mm	2,5mm 2,8mm	3mm	3,5mm	4mm	6mm	M2.5 4-40 UNC	M3 6-32 UNC
CHOBERT®	●	●	●	●	●							
GROVIT®	●	●	●	●								
AVLUG®	●	●										
BRIV®	●	●	●	●						●		
RIVSCREW®						●	●	●	●			
AVTRONIC®						●						
AVSERT®											●	●



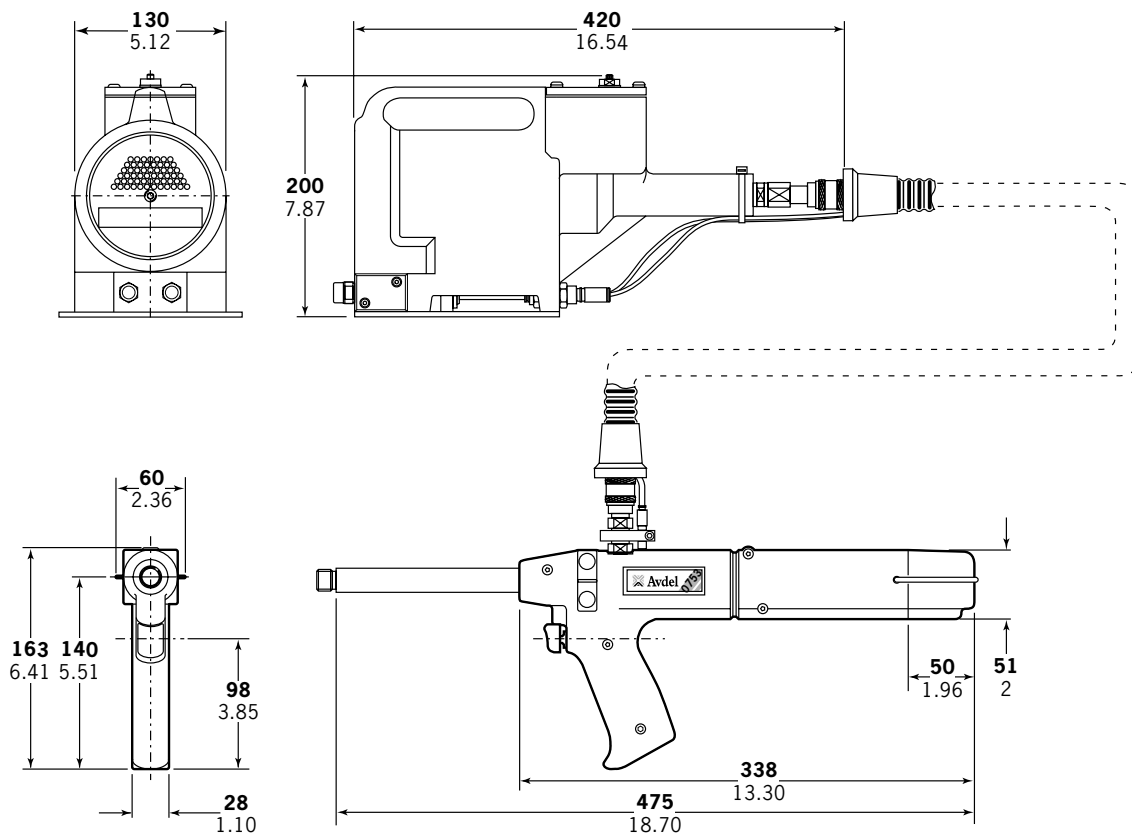
## Dimensioni Attrezzo - Modello 07530 MkII

Codice parte 07530-02200



## Dimensioni Attrezzo - Modello 07532 MkII

Codice parte 07532-02200



Le dimensioni indicate in **grassetto** sono in millimetri. Le altre sono in pollici.

# Messa in Servizio

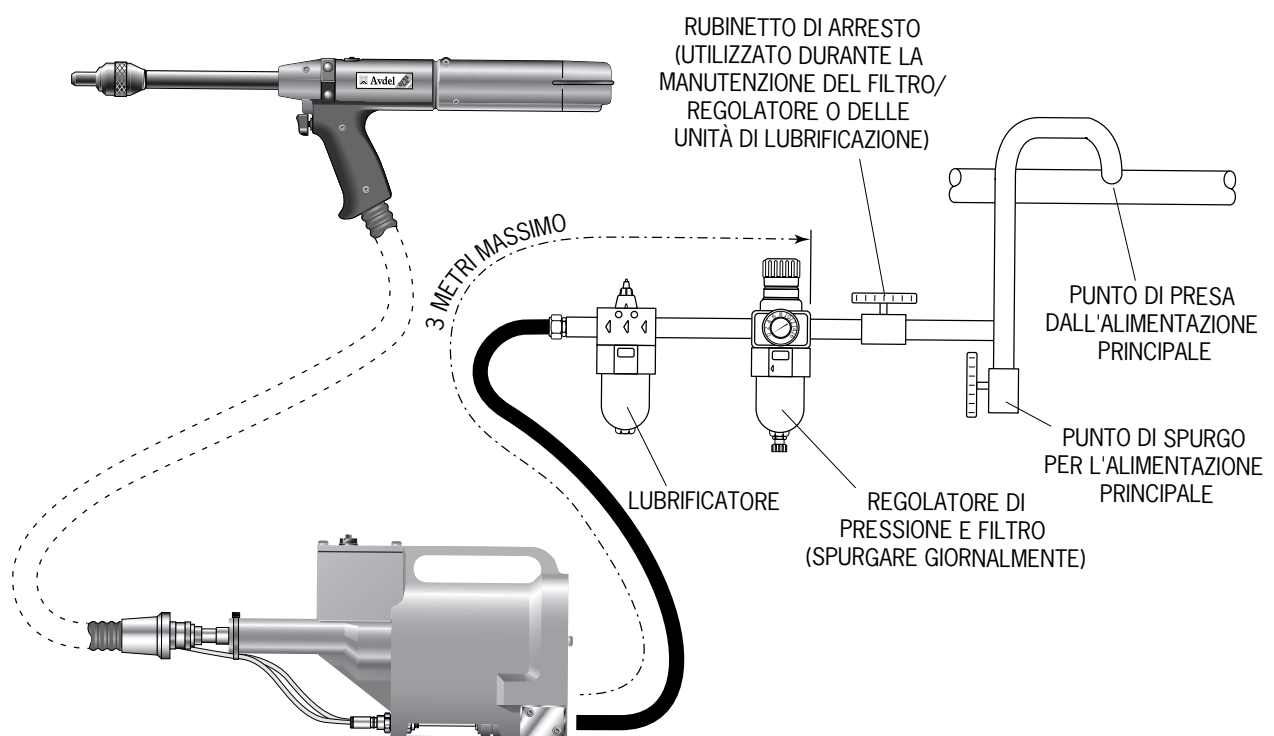
## Alimentazione Aria

---

Tutti gli attrezzi sono azionati tramite aria compressa ad una pressione ottimale di 5,5 bar. Raccomandiamo di utilizzare regolatori di pressione e dispositivi di lubrificazione/filtraggio sul circuito di alimentazione dell'aria. Per assicurare che l'attrezzo si mantenga in condizioni di funzionamento il più a lungo possibile e per ridurre al minimo i lavori di manutenzione, montare tali dispositivi ad un massimo di 3 metri di distanza dall'ingresso dell'aria dell'intensificatore (vedere figura in basso).

I tubi flessibili per l'aria compressa in entrata devono essere in grado di sostenere una pressione del 150% della pressione massima prodotta nel sistema, o 10 bar, quale dei due livelli sia il maggiore. I tubi flessibili per l'aria compressa in entrata dovranno essere resistenti all'olio, dovranno essere rivestiti esternamente di materiale resistente alle abrasioni e dovranno essere protetti qualora le condizioni di lavoro possano danneggiarli. Tutti i tubi flessibili per l'aria compressa DEVONO avere un diametro di passaggio minimo di 6,4 millimetri o 1/4 di pollice.

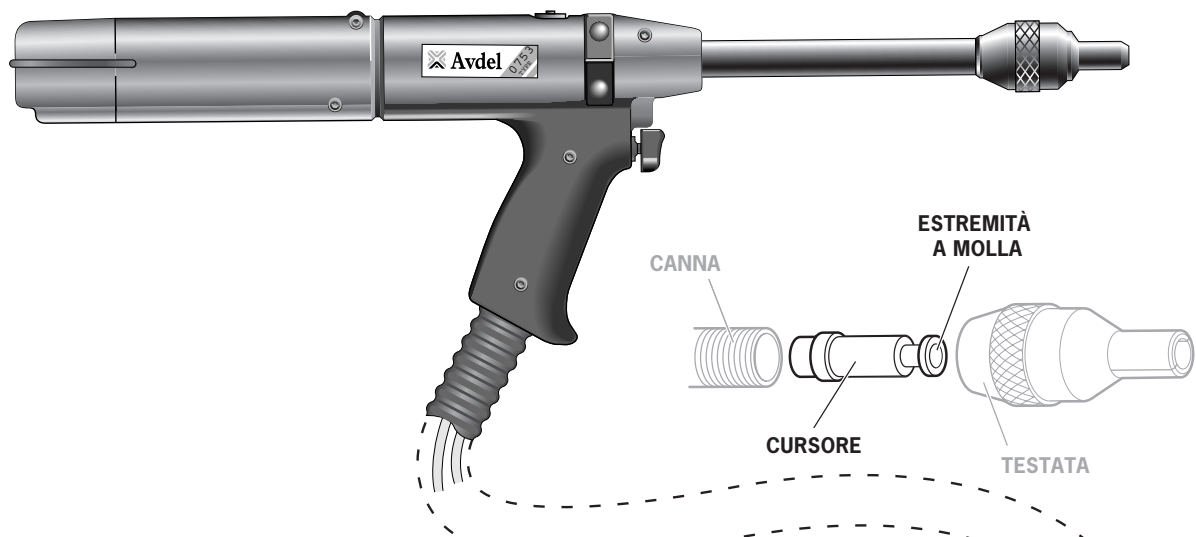
Vedi istruzioni sulla manutenzione giornaliera a pag. 136.



Per collegare l'attrezzo all'intensificatore ed all'alimentazione dell'aria seguire le istruzioni sotto riportate:

- Inserire l'estremità del tubo idraulico grande proveniente dall'attrezzo nel raccordo a rilascio rapido dell'intensificatore.
- Eseguire le seguenti operazioni sul lato anteriore dell'intensificatore:
  - inserire il condotto pneumatico blu (diam. esterno: 4mm) nel riduttore situato nel raccordo a diaframma sinistro;
  - inserire il condotto pneumatico nero (diam. esterno: 4mm) nella bussola di plastica del raccordo a diaframma destro.
- Collegare un tubo pneumatico tra il raccordo maschio situato sul lato posteriore dell'intensificatore e la linea di alimentazione dell'aria.

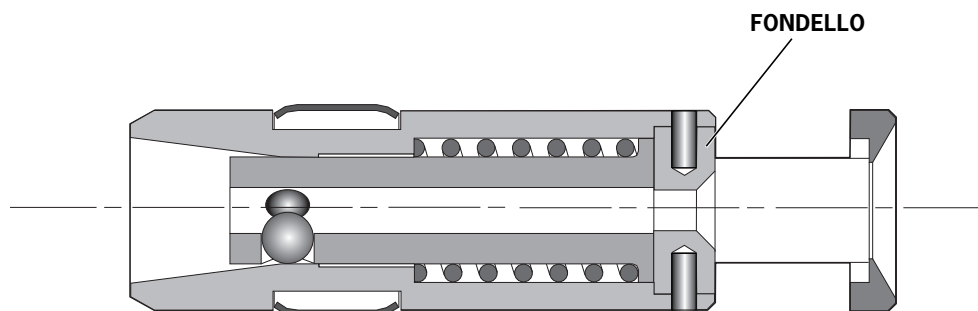
## Mechanical Cursors



Ci sono tre diversi cursori meccanici:

- 07271-01100      usato per mandrini standard e mandrini a perdere 5/320
- 07279-05843      usato per mandrini a perdere 1/80
- 07279-05845      usato per mandrini a perdere 3/160

I complessivi sopra si differenziano nel diametro interno del fondello.



Sono identificati dal colore (vedi sotto):

CODICE CURSORE MECCANICO	CODICE TAPPO ORECCHIO	COLORE	DIAMETRO FORO (mm)
07271-01100	07150-00402	ACCIAIO SEMPLICE	2.7
07279-05843	07159-05844	ORO	2.2
07279-05845	07159-05846	ARGENTO	3.3

# Messa in Servizio

## Cursore

### IMPORTANTE

**Se il cursore viene montato in maniera sbagliata, i rivetti non potranno essere fatti passare.**

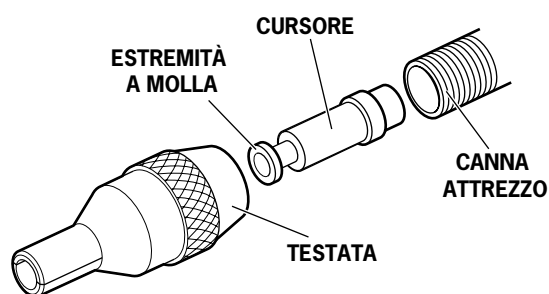
Al momento della consegna il cursore è montato correttamente: raccomandiamo comunque di controllarne l'orientamento prima di montare l'equipaggiamento. L'estremità a molla leggermente concava del cursore deve puntare verso la parte anteriore dell'attrezzo, come mostrato nell'illustrazione sotto riportata.

Quando viene montato nella maniera corretta, il cursore scorrerà facilmente dalla canna quando un mandrino viene spinto nel centro e poi tirato indietro.

Per girare l'orientamento del cursore, seguire queste indicazioni:

I numeri in **grassetto** si riferiscono allo schema generale e all'elenco dei componenti dell'attrezzo tipo 07530-02200 Mk II riportati alle pagine 142-143. La procedura relativa all'attrezzo tipo 07532-02200 Mk II è la stessa: i numeri dei componenti si riferiscono comunque allo schema generale e all'elenco riportati alle pagine 144-145.

- Togliere il fermaglio **47** ed estrarre la ghiera adattatore **38**.
- Svitare una delle due viti a testa cilindrica **44** con la chiave a brugola, assicurandosi che l'aria presente fuoriesca. Svitare quindi la seconda vite **44**.
- Estrarre il fondello posteriore **46**.
- Estrarre il gruppo pistone delle ganasce **14** insieme alle ganasce **9**.
- Estrarre la molla **13** e la sede ganasce **8**.
- Inserire un mandrino nel foro dell'estremità posteriore della canna **25** finché non fuoriesce attraverso l'estremità anteriore della canna stessa, quindi estrarre insieme mandrino e cursore dalla parte anteriore.
- Rimontare le parti seguendo l'ordine inverso a quello descritto per lo smontaggio.
- Inserire il gruppo cursore meccanico **5**, orientato nel verso giusto, nella parte anteriore della canna.



## Caricamento e Ricaricamento

### IMPORTANTE

**Le procedure per caricare l'attrezzo e per montare l'equipaggiamento sull'attrezzo sono integrali.**

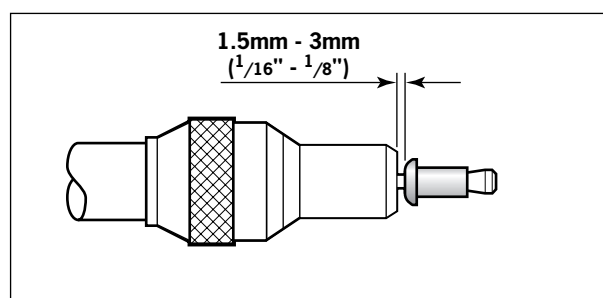
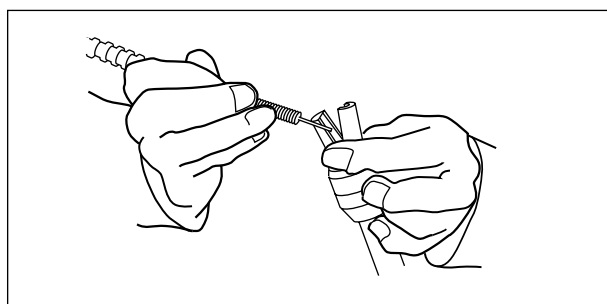
Quando si ordina un attrezzo od un sistema completo, vi verrà fornito normalmente tutto l'equipaggiamento necessario per il rivetto da piazzare. Per identificare i componenti dell'equipaggio o per selezionare gli elementi corretti, leggere il capitolo relativo all'equipaggiamento riportato alle pagine 126-135.

Se l'attrezzo è stato consegnato completo di testata, mandrino e molle dell'organo mobile dello stesso, passare alle istruzioni di caricamento e di montaggio della testata riportate nella prossima pagina.

I numeri in **grassetto** si riferiscono allo schema generale e all'elenco dei componenti dell'attrezzo tipo 7530-02200 Mk II riportati alle pagine 142-143. La procedura relativa all'attrezzo tipo 07532-02200 Mk II è la stessa: i numeri dei componenti si riferiscono comunque allo schema generale e all'elenco riportati alle pagine 144-145.

**Caricamento dell'attrezzo**

- Collegare l'alimentazione dell'aria all'attrezzo.
  - Aprire le ganasce **9** che tengono il mandrino disinserendo il pulsante di serraggio delle ganasce (particolari **26** e **30**).
  - Avvitare la testata selezionata sulla canna **25** dell'attrezzo.
- n. Inserire un mandrino nell'estremità posteriore dei rivetti attraverso l'astuccio portarivetti.
- Inserire la molla dell'organo mobile del mandrino nel mandrino stesso accertandosi di rispettare l'orientamento previsto (vedi tabella a pag. 123).
  - Afferrando l'estremità posteriore del mandrino, strappare l'astuccio portarivetti.
  - Aprire le testate girando l'anello esterno delle ganasce a camma o spingendo verso l'esterno l'estremità delle ganasce, come indicato nell'illustrazione sotto a sinistra.
  - Inserire il mandrino montato in precedenza, la molla ed i rivetti nella testata finché il primo rivetto da posizionare esca dalla testata.
  - Chiudere le testate e regolarle in modo che il primo rivetto sporga di circa 1/16" - 1/8", come indicato nell'illustrazione sotto a destra.
  - Chiudere le ganasce mediante il relativo pulsante di serraggio bloccando il mandrino (particolari **26** e **30**).

**Ricaricamento dell'attrezzo**

- Aprire le ganasce **9** dell'attrezzo.
- Aprire la testata e tirare il mandrino vuoto e la molla fuori dall'attrezzo.
- Ricaricare l'attrezzo seguendo le istruzioni sopra riportate, iniziando al punto n.

**Procedura Operativa****IMPORTANTE**

**Prima di impiegare l'attrezzo, accertarsi di aver montato la testata corretta e che il cursore sia orientato nel verso giusto.**

- Spingere il rivetto che sporge dalle testate completamente nei fori da rivettare, mantenendo l'attrezzo perpendicolarmente rispetto al punto di applicazione.
- Premere il grilletto senza lasciarlo: la testa del mandrino tira il rivetto ribadendolo nel foro delle parti da collegare.
- Togliere l'attrezzo.
- Rilasciare il grilletto. Nel foro della testata apparirà un altro rivetto pronto all'uso.

I numeri in **grassetto** si riferiscono allo schema generale e all'elenco dei componenti dell'attrezzo tipo 7530-02200 Mk II riportati alle pagine 142-143. La procedura relativa all'attrezzo tipo 07532-02200 Mk II è la stessa: i numeri dei componenti si riferiscono comunque allo schema generale e all'elenco riportati alle pagine 144-145.

# Messa in Servizio

IDENTIFICAZIONE ED ORIENTAMENTO DELLE MOLLE				
RIVETTO		TESTATA (VEDERE CAPITOLI RELATIVI ALL'EQUIPAGGIAMENTO)	DIMENSIONE MANDRINO	COMPLESSIVO MANDRINO/ MOLLA E RIVETTO
NOME	DIMENSIONE			
BRIV®	3/32"	STANDARD A PUNTA	TUTTE	
	3/32"	ACCESSO LIMITATO E A CAMMA CON ACCESSO LIMITATO	TUTTE	
	1/8"	TUTTE	TUTTE	
	5/32"	TUTTE	TUTTE	
	3/16"	TUTTE	TUTTE	
	6 mm	STANDARD	TUTTE AD ESCLUSIONE 3A MAGGIORAZIONE	
CHOBERT® AVLUG® GROVIT®	3/32"	TUTTE AD ESCLUSIONE DELLE STANDARD A PUNTA, CON ACCESSO LIMITATO	TUTTE	
	3/32"	STANDARD A PUNTA CON ACCESSO LIMITATO	TUTTE	
	1/8"	TUTTE	TUTTE	
CHOBERT® GROVIT®	5/32"	TUTTE	TUTTE AD ESCLUSIONE 3A MAGGIORAZIONE	
	5/32"	TUTTE	3A MAGGIORAZIONE	
	3/16"	TUTTE	TUTTE AD ESCLUSIONE 2A MAGGIORAZIONE	
	3/16"	TUTTE	2A MAGGIORAZIONE	
CHOBERT®	1/4"	TUTTE	TUTTE	
RIVSCREW®	2.8 mm	TUTTE	TUTTE	
	3 mm	TUTTE	TUTTE	
	3.5 mm	TUTTE	TUTTE	
	4 mm	TUTTE	TUTTE	
AVSERT®	2.5 mm	TUTTE	TUTTE	
	4 x 40 UNC	TUTTE	TUTTE	
	3 mm	TUTTE	TUTTE	
AVTRONIC®	6 x 32 UNC	TUTTE	TUTTE	
	2.5 mm	TUTTE	TUTTE	
	2.8 mm	TUTTE AD ECCEZIONE DELL'ACCESSO LIMITATO	TUTTE	
	2.8 mm	ACCESSO LIMITATO	TUTTE	

Su attrezzi di rivettatura veloce come il tipo 0753 Mk II, l'equipaggiamento consiste sempre di tre elementi, una testata, un mandrino e una molla. Questi tre articoli sono regolati a seconda del rivetto che deve essere fissato e della dimensione del foro dell'applicazione.

## IMPORTANTE

**Per evitare che l'attrezzo si smonti completamente è essenziale che si controlli l'orientamento del cursore prima di montare l'equipaggiamento all'attrezzo. Vedere il capitolo "CURSOR" riportato alla pagina 121.**

**È essenziale che si monti l'equipaggiamento corretto all'attrezzo per assicurare il posizionamento corretto del rivetto e il funzionamento IN SICUREZZA dell'attrezzo. LEGGERE ATTENTAMENTE LE ISTRUZIONI DI SICUREZZA riportate a pagina 118.**

Per identificare la combinazione corretta di equipaggiamento per il vostro attrezzo, selezionare prima di tutto una testata, leggendo il capitolo sotto riportato e poi il capitolo relativo al mandrino per selezionare i codici delle parti adatti al mandrino ed alla molla. I mandrini e le molle sono illustrati a pagina 125.

Per montare l'equipaggiamento, seguire la procedura "Caricare l'attrezzo" riportata a pagina 123-124.

## Testata

### IMPORTANTE

**Se la testata non è quella giusta si può verificare che il rivetto venga posizionato o ribadito in maniera incorretta.**

Le testate possono essere classificate in 7 forme basilari differenti, illustrate nella pagina accanto, le cui dimensioni interne variano a seconda del rivetto applicabile. Le dimensioni esatte sono riportate nelle "TAVOLE TESTATE" alle pagine 128-129, e vengono identificate mediante le lettere presenti nell'illustrazione della pagina accanto.

Per una forma particolare, ci possono essere diverse opzioni di forma finale che danno vantaggi migliori o una velocità di piazzamento superiore.

### Piatta

- Forma dell'estremità del nasello di tutte le testate.
- Adatta per tutte le applicazioni senza restrizioni di accesso.

### Universale

- Creata per essere utilizzata con i rivetti a testa universale Chobert®.
- Può essere usata anche con i rivetti Briv® per ottenere la ribaditura più alta possibile. Va notato che questo riduce la gamma di distanza massima tra i centri dei rivetti Briv® di circa 0,015" (0,4 mm).

### Incassata

- Da utilizzare SOLTANTO con rivetti BRIV®.
- Dà una ribaditura superiore rispetto alla forma ad estremità piatta, ma inferiore a quella ad estremità universale, senza riduzione della distanza massima tra i centri dei rivetti.

### A punta

- Disponibile come indicato nelle "Tavole di Selezione delle Testate".
- Consente un'accessibilità superiore rispetto alla forma ad estremità piatta e piazza la stessa gamma.

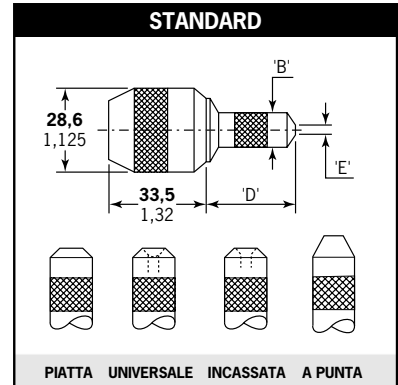
### A formatura di testa

- Da utilizzare SOLTANTO con rivetti Rivscrew®.
- Deforma la testa dei rivetti per ottenere una buona ribaditura.

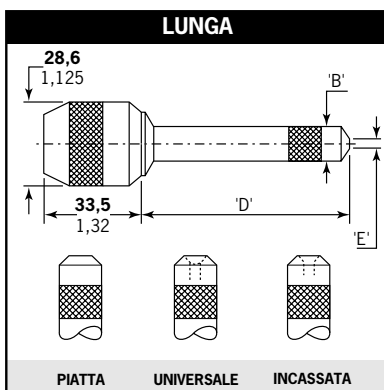
# Equipaggiamento

## Selezione Della Testata

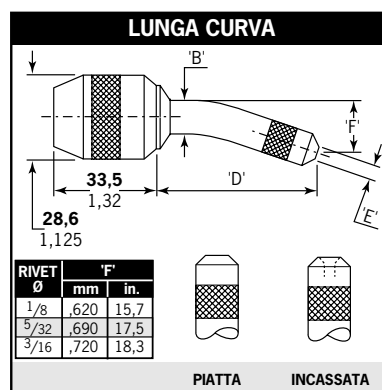
- Elencare il nome, la dimensione ed il materiale del rivetto da piazzare.
- Cercare il rivetto identificato nella prima colonna delle tavole delle testate a pagina 128 se vengono usate misure britanniche ed a pagina 129 se viene usato il sistema metrico decimale.
- Guardando la tavola, determinare quali testate sono disponibili. SOLTANTO le testate illustrate sono disponibili.
- Selezionare quale applicazione è la più adatta riferendosi al disegno della testata rispettivo. Se la vostra applicazione non ha restrizioni di accesso, dovrete selezionare la forma standard con una forma ad estremità piatta con o senza camma.



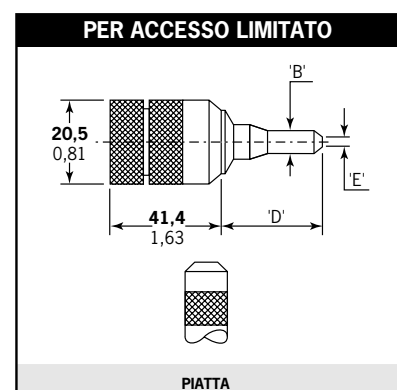
Disponibile in quattro forme diverse di estremità per piazzare tutti i rivetti (ad esclusione dei Rivscrew). Adatta per applicazioni senza restrizioni di accesso o con restrizioni di accesso limitate.



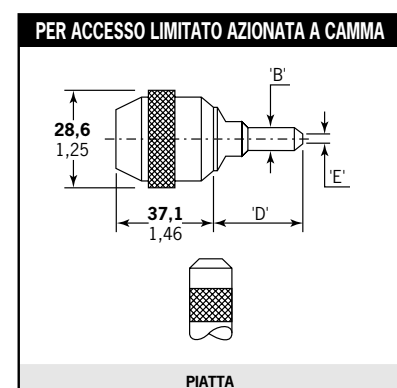
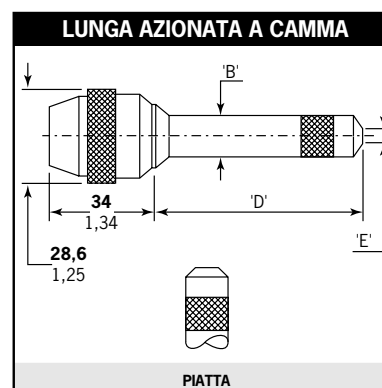
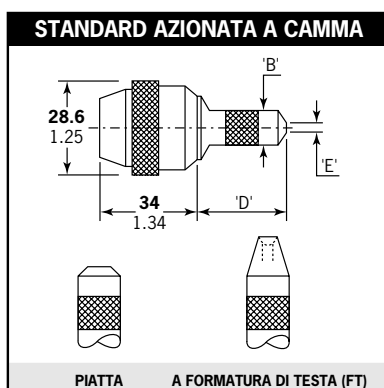
Adatta per piazzare la maggior parte dei rivetti. Consente una penetrazione maggiore nell'applicazione senza altre restrizioni di accesso.



Disponibile come indicato nella TAVOLA DI SELEZIONE DELLE TESTATE. Consente una penetrazione maggiore nelle applicazioni con restrizioni di accesso. I mandrini devono essere curvati a mano per seguire la forma della testata.



Disponibile come indicato nella TAVOLA DI SELEZIONE DELLE TESTATE. Consente l'accesso a applicazioni con serie restrizioni di accesso.



Disponibili come indicato nella TAVOLA DI SELEZIONE DELLE TESTATE riportata alla pagina seguente. Con funzioni equivalenti a quelle Standard e per Accesso Limitato sopra riportate, con l'aggiunta di una camma per facilitare e rendere più veloce l'apertura della testata e pertanto la procedura di ricarica dell'astuccio portarivetti.

Le dimensioni in **grassetto** sono in millimetri. Le altre sono in pollici.



## Selezione Della Testata - Misure Imperiali

La colonna "N. di Rif." si può utilizzare per il riferimento incrociato con le colonne "N. di Rif." nella sezione del mandrino. Identifica sia il mandrino che la molla necessari per una certa testata con un rivetto specifico.

RIVETTO	N. DI RIF.	TESTATA				N. DI RIF.	TESTATA					
		TIPO E FORMA ESTREMITÀ	CODICE PARTE	DIMENSIONI			TIPO E FORMA ESTREMITÀ	CODICE PARTE	DIMENSIONI			
				'B'	'D'	'E'				'B'	'D'	'E'
3/32" CHOBERT® & GROVIT®	1	STANDARD - PIATTA	07150-03003	,36	1,30	,16	1	# STANDARD - UNIVERSALE	07150-03203	,36	1,33	,24
	1	STANDARD AZIONATA A CAMMA - PIATTA	07170-04500	,36	1,30	,16	1	PER ACCESSO LIMITATO AZIONATA A CAMMA	07177-03003	,20	1,18	,16
	2	STANDARD - A PUNTA	07170-03103	,36	1,30	,16	3	PER ACCESSO LIMITATO	07274-01000	,22	1,07	,16
	4	LUNGA - PIATTA	07150-04003	,41	2,30	,16	4	LUNGA CURVA - PIATTA	07150-05003	,41	2,28	,16
1/8" CHOBERT® & GROVIT®	5	STANDARD - PIATTA	07150-03004	,41	1,18	,20	5	# STANDARD - UNIVERSALE	07150-03204	,41	1,22	,32
	5	STANDARD - A PUNTA	07170-03104	,41	1,19	,20	5	STANDARD AZIONATA A CAMMA - PIATTA	07170-04600	,41	1,18	,20
	6	LUNGA - PIATTA	07150-04004	,41	2,18	,20	6	# LUNGA - UNIVERSALE	07150-04204	,41	2,22	,30
	6	LUNGA CURVA - PIATTA	07150-05004	,41	2,12	,20	6	LUNGA AZIONATA A CAMMA - PIATTA	07170-05000	,41	2,18	,20
5/32" CHOBERT® & GROVIT®	7	STANDARD - PIATTA	07150-03005	,48	1,30	,24	7	# STANDARD - UNIVERSALE	07150-03205	,48	1,35	,41
	7	STANDARD - A PUNTA	07150-03105	,44	1,30	,24	7	STANDARD AZIONATA A CAMMA - PIATTA	07170-04700	,48	1,30	,24
	8	LUNGA - PIATTA	07150-04005	,48	2,30	,24	8	# LUNGA - UNIVERSALE	07150-04205	,48	2,35	,42
	8	LUNGA CURVA - PIATTA	07150-05005	,48	2,23	,24	8	LUNGA AZIONATA A CAMMA - PIATTA	07170-05100	,48	2,30	,24
3/16" CHOBERT® & GROVIT®	9	STANDARD - PIATTA	07150-03006	,56	1,18	,33	9	# STANDARD - UNIVERSALE	07150-03206	,56	1,24	,47
	9	STANDARD - A PUNTA	07150-03106	,56	1,18	,33	9	STANDARD AZIONATA A CAMMA - PIATTA	07170-04800	,56	1,18	,33
	10	LUNGA - PIATTA	07150-04006	,56	2,30	,33	10	# LUNGA - UNIVERSALE	07150-04206	,56	2,39	,48
	10	LUNGA CURVA - PIATTA	07150-05006	,56	2,21	,33	10	LUNGA AZIONATA A CAMMA - PIATTA	07170-05200	,56	2,30	,33
1/4" CHOBERT®	11	STANDARD - PIATTA	07150-03008	,64	1,18	,39	11	STANDARD AZIONATA A CAMMA - PIATTA	07170-04900	,64	1,18	,39
	12	LUNGA - PIATTA	07150-04008	,64	2,18	,39	12	LUNGA AZIONATA A CAMMA - PIATTA	07170-05300	,64	2,18	,39
3/32" BRIV® Solo ottone	13	STANDARD - A PUNTA	07170-03103	,36	1,30	,15	14	PER ACCESSO LIMITATO AZIONATA A CAMMA	07177-03003	,20	1,18	,16
	14	PER ACCESSO LIMITATO	07274-01000	,22	1,07	,16	-	-	-	-	-	-
1/8" BRIV® Lega d'alluminio, ottone, acciaio	15	STANDARD - PIATTA	07150-03004	,41	1,18	,20	15	STANDARD - INCASSATA	07170-03004	,41	1,20	,30
	15	STANDARD - A PUNTA	07170-03104	,41	1,19	,20	16	LUNGA - PIATTA	07150-04004	,41	2,18	,20
	16	LUNGA - INCASSATA	07170-03204	,41	2,18	,30	16	LUNGA CURVA - PIATTA	07150-05004	,41	2,12	,20
	16	LUNGA CURVA - INCASSATA	07170-03304	,41	2,12	,30	-	-	-	-	-	-
5/32" BRIV® Lega d'alluminio, ottone, acciaio	17	STANDARD - PIATTA	07150-03005	,48	1,30	,24	17	STANDARD - INCASSATA	07170-03005	,48	1,32	,41
	18	LUNGA - PIATTA	07150-04005	,48	2,30	,24	18	LUNGA - INCASSATA	07170-03205	,48	2,30	,41
	18	LUNGA CURVA - PIATTA	07150-05005	,48	2,23	,24	18	LUNGA CURVA - INCASSATA	07170-03305	,48	2,23	,41
5/32" BRIV® Solo acciaio inossidabile	19	STANDARD - PIATTA	07150-03005	,48	1,30	,24	19	STANDARD - INCASSATA	07170-03005	,48	1,32	,41
	20	LUNGA - PIATTA	07150-04005	,48	2,30	,24	20	LUNGA - INCASSATA	07170-03205	,48	2,30	,41
	20	LUNGA CURVA - PIATTA	07150-05005	,48	2,23	,24	20	LUNGA CURVA - INCASSATA	07170-03305	,48	2,23	,41
3/16" BRIV® Lega d'alluminio, ottone, acciaio	21	STANDARD - PIATTA	07150-03006	,56	1,18	,33	21	STANDARD - INCASSATA	07170-03006	,56	1,20	,47
	22	LUNGA - PIATTA	07150-04006	,56	2,30	,33	22	LUNGA - INCASSATA	07170-03206	,56	2,30	,47
	22	LUNGA CURVA - PIATTA	07150-05006	,56	2,21	,33	22	LUNGA CURVA - INCASSATA	07170-03306	,56	2,21	,47
3/16" BRIV® Solo acciaio inossidabile	23	STANDARD - PIATTA	07150-03006	,56	1,18	,33	23	STANDARD - INCASSATA	07170-03006	,56	1,20	,47
	24	LUNGA - PIATTA	07150-04006	,56	2,30	,33	24	LUNGA - INCASSATA	07170-03206	,56	2,30	,47
	24	LUNGA CURVA - PIATTA	07150-05006	,56	2,21	,33	24	LUNGA CURVA - INCASSATA	07170-03306	,56	2,21	,47
6mm BRIV® Lega d'alluminio, ottone, acciaio	25	STANDARD AZIONATA A CAMMA	07170-05600	,64	1,21	,52	25	STANDARD - PIATTA	07170-05800	,64	1,21	,52
	26	LUNGA AZIONATA A CAMMA	07170-05700	,64	2,19	,52	26	LUNGA - PIATTA	07170-05900	,64	2,19	,52
3/32" AVLUG®	27	STANDARD - PIATTA	07150-03003	,36	1,30	,16	27	STANDARD - A PUNTA	07150-03103	,36	1,30	,16
	27	STANDARD AZIONATA A CAMMA - PIATTA	07170-04500	,36	1,30	,16	28	LUNGA - PIATTA	07150-04003	,41	2,30	,16
	28	LUNGA CURVA - PIATTA	07150-05003	,41	2,28	,16	-	-	-	-	-	-
1/8" AVLUG®	29	STANDARD - PIATTA	07150-03004	,41	1,18	,20	29	STANDARD - A PUNTA	07170-03104	,41	1,19	,20
	29	STANDARD AZIONATA A CAMMA - PIATTA	07170-04600	,41	1,18	,20	30	LUNGA - PIATTA	07150-04004	,41	2,18	,20
	30	LUNGA CURVA - PIATTA	07150-05004	,41	2,12	,20	30	LUNGA AZIONATA A CAMMA - PIATTA	07170-05000	,41	2,18	,20
2,5mm 4-40 UNC AVSERT®	31	STANDARD - PIATTA	07150-03003	,36	1,30	,16	-	-	-	-	-	-
	32	STANDARD - PIATTA	07150-03004	,41	1,18	,20	32	STANDARD AZIONATA A CAMMA - PIATTA	07170-04600	,41	1,18	,20
3,0mm 6-32 UNC AVSERT®	33	STANDARD - PIATTA	07150-03003	,36	1,30	,16	33	PER ACCESSO LIMITATO AZIONATA A CAMMA	07271-08000	,41	1,18	,16
	34	LUNGA - PIATTA	07150-04003	,41	2,30	,16	-	-	-	-	-	-
2,5mm AVTRONIC®	35	STANDARD - PIATTA	07271-05600	,36	1,30	,16	36	PER ACCESSO LIMITATO AZIONATA A CAMMA	07271-08100	,40	1,18	,16
	37	LUNGA - PIATTA	07271-05900	,41	2,30	,16	-	-	-	-	-	-
2,8mm RIVSCREW®	38	STANDARD AZIONATA A CAMMA - FT	07271-03000	,41	1,18	,24	-	-	-	-	-	-
3,0mm RIVSCREW®	39	STANDARD AZIONATA A CAMMA - FT	07271-03000	,41	1,18	,24	-	-	-	-	-	-
3,5mm RIVSCREW®	40	STANDARD AZIONATA A CAMMA - FT	07271-03500	,41	1,18	,24	-	-	-	-	-	-
4,0mm RIVSCREW®	41	STANDARD AZIONATA A CAMMA - FT	07271-04000	,41	1,18	,25	-	-	-	-	-	-

# Queste testate sono adatte per il piazzamento di rivetti Chobert® con una Forma di Testa Universale. Quando vengono usate sulla dimensione equivalente di Briv®, si ottiene la ribaditura più alta possibile. Va notato che, quando si usano dei rivetti Briv®, la distanza massima tra i centri dei rivetti viene ridotta di circa 0,015" (0,4 mm).

# Equipaggiamento

## Selezione Della Testata - Dimensioni Metrico Decimali

RIVETTO	N. DI RIF.	TESTATA					N. DI RIF.	TESTATA				
		TIPO E FORMA ESTREMITÀ	CODICE PARTE	'B'	'D'	'E'		TIPO E FORMA ESTREMITÀ	CODICE PARTE	'B'	'D'	'E'
3/32" CHOBERT® & GROVIT®	1	STANDARD - PIATTA	07150-03003	9,14	33,02	4,06	1	# STANDARD - UNIVERSALE	07150-03203	9,14	33,78	6,10
	1	STANDARD AZIONATA A CAMMA - PIATTA	07170-04500	9,14	33,02	4,06	1	PER ACCESSO LIMITATO AZIONATA A CAMMA	07177-03003	5,08	29,97	4,06
	2	STANDARD - A PUNTA	07170-03103	9,14	33,02	4,06	3	PER ACCESSO LIMITATO	07274-01000	5,59	27,18	4,06
	4	LUNGA - PIATTA	07150-04003	10,41	58,42	4,06	4	LUNGA CURVA - PIATTA	07150-05003	10,41	57,91	4,06
1/8" CHOBERT® & GROVIT®	5	STANDARD - PIATTA	07150-03004	10,41	29,97	5,08	5	# STANDARD - UNIVERSALE	07150-03204	10,41	30,99	8,13
	5	STANDARD - A PUNTA	07170-03104	10,41	30,23	5,08	5	STANDARD AZIONATA A CAMMA - PIATTA	07170-04600	10,41	29,97	5,08
	6	LUNGA - PIATTA	07150-04004	10,41	55,37	5,08	6	# LUNGA - UNIVERSALE	07150-04204	10,41	56,39	7,62
	6	LUNGA CURVA - PIATTA	07150-05004	10,41	53,85	5,08	6	LUNGA AZIONATA A CAMMA - PIATTA	07170-05000	10,41	55,37	5,08
5/32" CHOBERT® & GROVIT®	7	STANDARD - PIATTA	07150-03005	12,19	33,02	6,10	7	# STANDARD - UNIVERSALE	07150-03205	12,19	34,29	10,41
	7	STANDARD - A PUNTA	07150-03105	11,18	33,02	6,10	7	STANDARD AZIONATA A CAMMA - PIATTA	07170-04700	12,19	33,02	6,10
	8	LUNGA - PIATTA	07150-04005	12,19	58,42	6,10	8	# LUNGA - UNIVERSALE	07150-04205	12,19	59,69	10,67
	8	LUNGA CURVA - PIATTA	07150-05005	12,19	56,64	6,10	8	LUNGA AZIONATA A CAMMA - PIATTA	07170-05100	12,19	58,42	6,10
3/16" CHOBERT® & GROVIT®	9	STANDARD - PIATTA	07150-03006	14,22	29,97	8,38	9	# STANDARD - UNIVERSALE	07150-03206	14,22	31,50	11,94
	9	STANDARD - A PUNTA	07150-03106	14,22	29,97	8,38	9	STANDARD AZIONATA A CAMMA - PIATTA	07170-04800	14,22	29,97	8,38
	10	LUNGA - PIATTA	07150-04006	14,22	58,42	8,38	10	# LUNGA - UNIVERSALE	07150-04206	14,22	60,71	12,19
	10	LUNGA CURVA - PIATTA	07150-05006	14,22	56,13	8,38	10	LUNGA AZIONATA A CAMMA - PIATTA	07170-05200	14,22	58,42	8,38
1/4" CHOBERT®	11	STANDARD - PIATTA	07150-03008	16,26	29,97	9,91	11	STANDARD AZIONATA A CAMMA - PIATTA	07170-04900	16,26	29,97	9,91
	12	LUNGA - PIATTA	07150-04008	16,26	55,37	9,91	12	LUNGA AZIONATA A CAMMA - PIATTA	07170-05300	16,26	55,37	9,91
3/32" BRIV® Solo ottone	13	STANDARD - A PUNTA	07170-03103	9,14	33,02	3,81	14	PER ACCESSO LIMITATO AZIONATA A CAMMA	07177-03003	5,08	29,97	4,06
	14	PER ACCESSO LIMITATO	07274-01000	5,59	27,18	4,06	-	-	-	-	-	-
1/8" BRIV® Lega d'alluminio, ottone, acciaio	15	STANDARD - PIATTA	07150-03004	10,41	29,97	5,08	15	STANDARD - INCASSATA	07170-03004	10,41	30,48	7,62
	15	STANDARD - A PUNTA	07170-03104	10,41	30,23	5,08	16	LUNGA - PIATTA	07150-04004	10,41	55,37	5,08
	16	LUNGA - INCASSATA	07170-03204	10,41	55,37	7,62	16	LUNGA CURVA - PIATTA	07150-05004	10,41	53,85	5,08
	16	LUNGA CURVA - INCASSATA	07170-03304	10,41	53,85	7,62	-	-	-	-	-	-
5/32" BRIV® Lega d'alluminio, ottone, acciaio	17	STANDARD - PIATTA	07150-03005	12,19	33,02	6,10	17	STANDARD - INCASSATA	07170-03005	12,19	33,53	10,41
	18	LUNGA - PIATTA	07150-04005	12,19	58,42	6,10	18	LUNGA - INCASSATA	07170-03205	12,19	58,42	10,41
	18	LUNGA CURVA - PIATTA	07150-05005	12,19	56,64	6,10	18	LUNGA CURVA - INCASSATA	07170-03305	12,19	56,64	10,41
5/32" BRIV® Solo acciaio inossidabile	19	STANDARD - PIATTA	07150-03005	12,19	33,02	6,10	19	STANDARD - INCASSATA	07170-03005	12,19	33,53	10,41
	20	LUNGA - PIATTA	07150-04005	12,19	58,42	6,10	20	LUNGA - INCASSATA	07170-03205	12,19	58,42	10,41
	20	LUNGA CURVA - PIATTA	07150-05005	12,19	56,64	6,10	20	LUNGA CURVA - INCASSATA	07170-03305	12,19	56,64	10,41
3/16" BRIV® Lega d'alluminio, ottone, acciaio	21	STANDARD - PIATTA	07150-03006	14,22	29,97	8,38	21	STANDARD - INCASSATA	07170-03006	14,22	30,48	11,94
	22	LUNGA - PIATTA	07150-04006	14,22	58,42	8,38	22	LUNGA - INCASSATA	07170-03206	14,22	58,42	11,94
	22	LUNGA CURVA - PIATTA	07150-05006	14,22	56,13	8,38	22	LUNGA CURVA - INCASSATA	07170-03306	14,22	56,13	11,94
3/16" BRIV® Solo acciaio inossidabile	23	STANDARD - PIATTA	07150-03006	14,22	29,97	8,38	23	STANDARD - INCASSATA	07170-03006	14,22	30,48	11,94
	24	LUNGA - PIATTA	07150-04006	14,22	58,42	8,38	24	LUNGA - INCASSATA	07170-03206	14,22	58,42	11,94
	24	LUNGA CURVA - PIATTA	07150-05006	14,22	56,13	8,38	24	LUNGA CURVA - INCASSATA	07170-03306	14,22	56,13	11,94
6mm BRIV® Lega d'alluminio, ottone, acciaio	25	STANDARD AZIONATA A CAMMA	07170-05600	16,33	30,65	13,14	25	STANDARD - PIATTA	07170-05800	16,33	30,65	13,14
	26	LUNGA AZIONATA A CAMMA	07170-05700	16,33	55,65	13,14	26	LUNGA - PIATTA	07170-05900	16,33	55,65	13,14
3/32" AVLUG®	27	STANDARD - PIATTA	07150-03003	9,14	33,02	4,06	27	STANDARD - A PUNTA	07150-03103	9,14	33,02	4,06
	27	STANDARD AZIONATA A CAMMA - PIATTA	07170-04500	9,14	33,02	4,06	28	LUNGA - PIATTA	07150-04003	10,41	58,42	4,06
	28	LUNGA CURVA - PIATTA	07150-05003	10,41	57,91	4,06	-	-	-	-	-	-
1/8" AVLUG®	29	STANDARD - PIATTA	07150-03004	10,41	29,97	5,08	29	STANDARD - A PUNTA	07170-03104	10,41	30,23	5,08
	29	STANDARD AZIONATA A CAMMA - PIATTA	07170-04600	10,41	29,97	5,08	30	LUNGA - PIATTA	07150-04004	10,41	55,37	5,08
	30	LUNGA CURVA - PIATTA	07150-05004	10,41	53,85	5,08	30	LUNGA AZIONATA A CAMMA - PIATTA	07170-05000	10,41	55,37	5,08
2,5mm 4-40 UNC AVSERT®	31	STANDARD - PIATTA	07150-03003	9,14	33,02	4,06	-	-	-	-	-	-
3,0mm 6-32 UNC AVSERT®	32	STANDARD - PIATTA	07150-03004	10,41	29,97	5,08	32	STANDARD AZIONATA A CAMMA - PIATTA	07170-04600	10,41	29,97	5,08
2,5mm AVTRONIC®	33	STANDARD - PIATTA	07150-03003	9,14	33,02	4,06	33	PER ACCESSO LIMITATO AZIONATA A CAMMA	07271-08000	10,41	29,97	4,06
	34	LUNGA - PIATTA	07150-04003	10,41	58,42	4,06	-	-	-	-	-	-
2,8mm AVTRONIC®	35	STANDARD - PIATTA	07271-05600	9,14	33,02	4,06	36	PER ACCESSO LIMITATO AZIONATA A CAMMA	07271-08100	10,16	29,97	4,06
	37	LUNGA - PIATTA	07271-05900	10,41	58,42	4,06	-	-	-	-	-	-
2,8mm RIVSCREW®	38	STANDARD AZIONATA A CAMMA - FT	07271-03000	10,41	29,97	6,10	-	-	-	-	-	-
3,0mm RIVSCREW®	39	STANDARD AZIONATA A CAMMA - FT	07271-03000	10,41	29,97	6,10	-	-	-	-	-	-
3,5mm RIVSCREW®	40	STANDARD AZIONATA A CAMMA - FT	07271-03500	10,41	29,97	6,10	-	-	-	-	-	-
4,0mm RIVSCREW®	41	STANDARD AZIONATA A CAMMA - FT	07271-04000	10,41	29,97	6,35	-	-	-	-	-	-

# Queste testate sono adatte per il piazzamento di rivetti Chobert® con una Forma di Testa Universale. Quando vengono usate sulla dimensione equivalente di Briv®, si ottiene la ribaditura più alta possibile. Va notato che, quando si usano dei rivetti Briv®, la distanza massima tra i centri dei rivetti viene ridotta di circa 0,015" (0,4 mm).

## Mandrini e Molle

I mandrini e le molle illustrati a pagina 125 devono essere selezionati in modo da essere adatti al tipo di rivetto ed alla sua dimensione nonché alla dimensione del foro nell'applicazione. L'utilizzo del mandrino sbagliato potrebbe aumentare il rischio di rotture e l'usura della testa del mandrino. Nel caso venisse usata una molla sbagliata, si verificherebbero problemi di alimentazione.

**I M P O R T A N T E**

**LEGGERE ATTENTAMENTE LE ISTRUZIONI DI SICUREZZA riportate alle pagine 118.**

Anche se durante l'utilizzo normale e corretto dei mandrini questi saranno soggetti ad una certa quantità di usura e di segni, andranno esaminati regolarmente per evidenziare una possibile usura eccessiva e dei segni non normali, in particolare bisogna fare attenzione al diametro della testata, all'area di presa delle ganasce dello stelo o qualora si presentino dei segni pesanti sullo stelo o delle distorsioni del mandrino. I mandrini che si guastano durante l'uso possono uscire a forza dall'attrezzo. Il cliente è responsabile per la sostituzione dei mandrini prima che raggiungano un livello di usura eccessivo e certamente prima del numero massimo suggerito di inserimenti. Mettersi in contatto con il rappresentante Avdel che vi confermerà questa cifra misurando il carico di brocciatura della vostra applicazione con il nostro attrezzo calibrato. Questi attrezzi possono essere anche acquistati con il codice 07900-09080, forniti con tutte le informazioni necessarie per il testaggio.

## Chobert® e Grovit® - Misure Imperiali

Per la selezione del mandrino o della molla, seguire le istruzioni riportate alla pagina 132.

RIVETTO	N. DI RIF.	DIMEN. FORO	MANDRINO STANDARD - VERDE					DIMEN. FORO	MANDRINO 1A MAGGIORAZIONE - GIALLO					CODICE MOLLA
			DIAM. TESTA	CODICE MANDRINO	P MAX.	CODICE # MANDRINO RIBASSATO	P MAX.		DIAM. TESTA	CODICE MANDRINO	P MAX.	CODICE # MANDRINO RIBASSATO	P MAX.	
3/32" CHOBERT® & GROVIT®	1	Come Sugg.	,0725	07150-06003	,166	07150-08003	,071	+,0015	,074	07150-06303	,174	-	-	07150-06803
	1	-	-	-	-	-	-	+,0035	,076	-	-	07150-08103	,078	07150-06803
	2	Come Sugg.	,0725	07150-06003	,166	07150-08003	,071	+,0015	,074	07150-06303	,174	-	-	07170-06873
	2	-	-	-	-	-	-	+,0035	,076	-	-	07150-08103	,078	07170-06873
	3	Come Sugg.	,0725	07150-06003	,166	07150-08003	,071	+,0015	,074	07150-06303	,174	-	-	07170-06903
	3	-	-	-	-	-	-	+,0035	,076	-	-	07150-08103	,078	07170-06903
1/8" CHOBERT® & GROVIT®	5	Come Sugg.	,088	07150-06004	,216	07150-08004	,090	+,004	,092	07150-06104	,237	07150-08104	,098	07150-06804
	6	Come Sugg.	,088	07150-07004	,216	07150-09004	,090	+,004	,092	07150-07104	,237	07150-09104	,098	07150-07804
5/32" CHOBERT® & GROVIT®	7	Come Sugg.	,107	07150-06005	,244	07150-08005	,100	+,008	,115	07150-06105	,284	07150-08105	,116	07170-06875
	7	-	-	-	-	-	-	-	-	-	-	-	-	-
	8	Come Sugg.	,107	07150-07005	,244	07150-09005	,100	+,008	,115	07150-07105	,284	07150-09105	,116	07170-07875
3/16" CHOBERT® & GROVIT®	9	Come Sugg.	,132	07150-06006	,247	07150-08006	,102	+,014	,146	07150-06106	,320	07150-08106	,130	07170-06876
	9	-	-	-	-	-	-	-	-	-	-	-	-	-
	10	Come Sugg.	,132	07150-07006	,247	07150-09006	,102	+,014	,146	07150-07106	,320	07150-09106	,130	07170-07876
	10	-	-	-	-	-	-	-	-	-	-	-	-	-
1/4" CHOBERT®	11	Come Sugg.	,184	07150-06008	,268	07150-08008	,110	+,012	,196	07150-06108	,330	07150-08108	,134	07150-06808
	12	Come Sugg.	,184	07150-07008	,268	07150-09008	,110	+,012	,196	07150-07108	,330	07150-09108	,134	07150-07808

RIVETTO	N. DI RIF.	DIMEN. FORO	MANDRINO 2A MAGGIORAZIONE - BLU					DIMEN. FORO	MANDRINO 3A MAGGIORAZIONE - ROSSO					CODICE MOLLA
			DIAM. TESTA	CODICE MANDRINO	P MAX.	CODICE # MANDRINO RIBASSATO	P MAX.		DIAM. TESTA	CODICE MANDRINO	P MAX.	CODICE # MANDRINO RIBASSATO	P MAX.	
3/32" CHOBERT® & GROVIT®	1	+,0035	,076	07150-06103	,185	-	-	-	-	-	-	-	-	07150-06803
	1	-	-	-	-	-	-	-	-	-	-	-	-	-
	2	+,0035	,076	07150-06103	,185	-	-	-	-	-	-	-	-	07170-06873
	2	-	-	-	-	-	-	-	-	-	-	-	-	-
	3	+,0035	,076	07150-06103	,185	-	-	-	-	-	-	-	-	07170-06903
	3	-	-	-	-	-	-	-	-	-	-	-	-	-
1/8" CHOBERT® & GROVIT®	5	+,010	,098	07150-06204	,268	07150-08204	,110	+,014	,102	07150-06304	,288	07150-08304	,118	07150-06804
	6	+,010	,098	07150-07204	,268	07150-09204	,110	+,014	,102	07150-07304	,288	07150-09304	,118	07150-07804
5/32" CHOBERT® & GROVIT®	7	+,015	,122	07150-06205	,320	07150-08205	,130	-	-	-	-	-	-	07170-06875
	7	-	-	-	-	-	-	+,025	,132	07150-06305	,372	07150-08305	,150	07150-06805
	8	+,015	,122	07150-07205	,320	07150-09205	,130	-	-	-	-	-	-	07170-07875
3/16" CHOBERT® & GROVIT®	9	-	-	-	-	-	-	+,025	,132	07150-07305	,372	07150-09305	,150	07150-07805
	9	+,024	,156	07150-06206	,372	07150-08206	,150	-	-	-	-	-	-	07150-06806
	10	-	-	-	-	-	-	-	-	-	-	-	-	-
	10	+,024	,156	07150-07206	,372	07150-09206	,150	-	-	-	-	-	-	07150-07806
1/4" CHOBERT®	11	-	-	-	-	-	-	-	-	-	-	-	-	-
	12	-	-	-	-	-	-	-	-	-	-	-	-	-

# Mandrino ribassato. Vedere le pagine 132-133 per una chiarificazione.

# Equipaggiamento

Le tavole sotto riportate, a destra ed a sinistra e riportate alle 4 pagine seguenti elencano i codici di tutti i mandrini e di tutte le molle disponibili per rivetti o per gruppi di rivetti, per es. su queste pagine per Chobert® e Grovit®.

Anche se le dimensioni dei rivetti sono sempre indicate nelle loro unità specifiche, ogni tavola è stata prodotta due volte, per offrire dimensioni sia in misure imperiali sulla pagina di sinistra che in metrico decimali sulla pagina di destra. Queste "Tavole di Selezione del Mandrino" si possono usare in riferimento incrociato con le "Tavole di Selezione delle Testate" riportate alle pagine 128-129 con la colonna "N. di Rif."

È il diametro della testa all'estremità di un mandrino che quando viene tirata controlla l'espansione del corpo del rivetto.

Mentre ci sono delle forme diverse di testa per i diversi tipi di rivetto (vedere l'illustrazione riportata a pagina 133), sono necessarie delle dimensioni progressive di teste per riflettere le tolleranze di produzione sul diametro del foro della applicazione, in modo che il rivetto si espanda sempre a sufficienza per riempire il foro.

Una testa di mandrino troppo grande solleciterebbe eccessivamente il mandrino che si romperebbe durante l'uso, uscendo a forza dall'attrezzo.

Le tavole di selezione sono divise in quattro sezioni di "dimensioni del mandrino", che vanno da "standard" a "3a maggiorazione", ognuna codificata a colori, come l'estremità delle stesse teste dei mandrini.

## Chobert® e Grovit® - Dimensioni Metrico Decimali

RIVETTO	N. DI RIF.	DIMEN. FORO	MANDRINO STANDARD - VERDE				DIMEN. FORO	MANDRINO 1A MAGGIORAZIONE - GIALLO				CODICE MOLLA		
			DIAM. TESTA	CODICE MANDRINO	P MAX.	CODICE # MANDRINO RIBASSATO		P MAX.	DIAM. TESTA	CODICE MANDRINO	P MAX.		CODICE # MANDRINO RIBASSATO	P MAX.
3/32" CHOBERT® & GROVIT®	1	Come Sugg.	1,84	07150-06003	4,22	07150-08003	1,80	+0,4	1,88	07150-06303	4,42	-	-	07150-06803
	1	-	-	-	-	-	-	+0,9	1,93	-	-	07150-08103	1,98	07150-06803
	2	Come Sugg.	1,84	07150-06003	4,22	07150-08003	1,80	+0,4	1,88	07150-06303	4,42	-	-	07170-06873
	2	-	-	-	-	-	-	+0,9	1,93	-	-	07150-08103	1,98	07170-06873
	3	Come Sugg.	1,84	07150-06003	4,22	07150-08003	1,80	+0,4	1,88	07150-06303	4,42	-	-	07170-06903
	3	-	-	-	-	-	-	+0,9	1,93	-	-	07150-08103	1,98	07170-06903
1/8" CHOBERT® & GROVIT®	4	Come Sugg.	1,84	07150-07003	4,22	07150-09003	1,80	+0,9	1,93	-	-	07150-09103	1,98	07150-07803
	5	Come Sugg.	2,24	07150-06004	5,49	07150-08004	2,29	+1,0	2,34	07150-06104	6,02	07150-08104	2,49	07150-06804
5/32" CHOBERT® & GROVIT®	6	Come Sugg.	2,24	07150-07004	5,49	07150-09004	2,29	+1,0	2,34	07150-07104	6,02	07150-09104	2,49	07150-07804
	7	Come Sugg.	2,72	07150-06005	6,20	07150-08005	2,54	+2,0	2,92	07150-06105	7,21	07150-08105	2,95	07170-06875
	7	-	-	-	-	-	-	-	-	-	-	-	-	-
3/16" CHOBERT® & GROVIT®	8	Come Sugg.	2,72	07150-07005	6,20	07150-09005	2,54	+2,0	2,92	07150-07105	7,21	07150-09105	2,95	07170-07875
	8	-	-	-	-	-	-	-	-	-	-	-	-	-
	9	Come Sugg.	3,35	07150-06006	6,27	07150-08006	2,59	+3,5	3,71	07150-06106	8,13	07150-08106	3,30	07170-06876
1/4" CHOBERT®	9	-	-	-	-	-	-	-	-	-	-	-	-	-
	10	Come Sugg.	3,35	07150-07006	6,27	07150-09006	2,59	+3,5	3,71	07150-07106	8,13	07150-09106	3,30	07170-07876
	10	-	-	-	-	-	-	-	-	-	-	-	-	-
1/4" CHOBERT®	11	Come Sugg.	4,67	07150-06008	6,81	07150-08008	2,79	+3,0	4,98	07150-06108	8,38	07150-08108	3,40	07150-06808
	12	Come Sugg.	4,67	07150-07008	6,81	07150-09008	2,79	+3,0	4,98	07150-07108	8,38	07150-09108	3,40	07150-07808

RIVETTO	N. DI RIF.	DIMEN. FORO	MANDRINO 2A MAGGIORAZIONE - BLU				DIMEN. FORO	MANDRINO 3A MAGGIORAZIONE - ROSSO				CODICE MOLLA		
			DIAM. TESTA	CODICE MANDRINO	P MAX.	CODICE # MANDRINO RIBASSATO		P MAX.	DIAM. TESTA	CODICE MANDRINO	P MAX.		CODICE # MANDRINO RIBASSATO	P MAX.
3/32" CHOBERT® & GROVIT®	1	+0,9	1,93	07150-06103	4,70	-	-	-	-	-	-	-	-	07150-06803
	1	-	-	-	-	-	-	-	-	-	-	-	-	-
	2	+0,9	1,93	07150-06103	4,70	-	-	-	-	-	-	-	-	07170-06873
	2	-	-	-	-	-	-	-	-	-	-	-	-	-
	3	+0,9	1,93	07150-06103	4,70	-	-	-	-	-	-	-	-	07170-06903
	3	-	-	-	-	-	-	-	-	-	-	-	-	-
1/8" CHOBERT® & GROVIT®	4	+0,9	1,93	07150-07103	4,70	-	-	-	-	-	-	-	-	07150-07803
	5	+2,5	2,49	07150-06204	6,81	07150-08204	2,79	+3,5	2,59	07150-06304	7,32	07150-08304	3,00	07150-06804
5/32" CHOBERT® & GROVIT®	6	+2,5	2,49	07150-07204	6,81	07150-09204	2,79	+3,5	2,59	07150-07304	7,32	07150-09304	3,00	07150-07804
	7	+3,8	3,10	07150-06205	8,13	07150-08205	3,30	-	-	-	-	-	-	07170-06875
	7	-	-	-	-	-	-	+6,3	3,35	07150-06305	9,45	07150-08305	3,81	07150-06805
	8	+3,8	3,10	07150-07205	8,13	07150-09205	3,30	-	-	-	-	-	-	07170-07875
3/16" CHOBERT® & GROVIT®	8	-	-	-	-	-	-	+6,3	3,35	07150-07305	9,45	07150-09305	3,81	07150-07805
	9	-	-	-	-	-	-	-	-	-	-	-	-	-
	9	+6,0	3,96	07150-06206	9,45	07150-08206	3,81	-	-	-	-	-	-	07150-06806
1/4" CHOBERT®	10	-	-	-	-	-	-	-	-	-	-	-	-	-
	10	+6,0	3,96	07150-07206	9,45	07150-09206	3,81	-	-	-	-	-	-	07150-07806
1/4" CHOBERT®	11	-	-	-	-	-	-	-	-	-	-	-	-	-
	12	-	-	-	-	-	-	-	-	-	-	-	-	-

# Mandrino ribassato. Vedere le pagine 132-133 per una chiarificazione.

Per trovare il codice di un mandrino per una certa applicazione, leggere le istruzioni seguenti dopo aver raccolto le informazioni seguenti, come dall'esempio qui illustrato. Le risposte per l'esempio sono indicate in corsivo in grigio.

NOME DEL RIVETTO	esempio	Chobert®
DIMENSIONE DEL RIVETTO		1/8"
SCHEDA TECNICA		Serie 1125
DIMENSIONE FORO APPLICAZIONE		0,1335"
SPAZIO LIBERO DIETRO ALL'APPLICAZIONE		Infinito
"N. di Rif." DALLA TAVOLA DI SELEZIONE TESTATA		5 (standard piatta)

- Sottrarre la misura minima del foro raccomandata nella scheda tecnica (COME SUGG.) dalla misura del foro delle parti da collegare, per esempio 0,005.
- Passare alla pagina con la tavola "Selezione del Mandrino" per il vostro rivetto, selezionando la tavola con le dimensioni imperiali o metrico decimali (pagina 130-135) - esempio: pag. 128.
- Iniziando dalla sezione "Mandrino standard - Verde", cercare la dimensione rivetto richiesta nella colonna sinistra - esempio 1/8" Chobert® e Grovit®.
- Se avete selezionato una testata che può piazzare il rivetto, adesso dovrete essere in grado di trovare una linea nella sezione del rivetto con lo stesso "N. di Rif." di quello della tavola di "Selezione della Testata" -esempio: 5. Questa è la vostra linea di "N. di Rif." nella quale troverete il codice sia del mandrino che della molla. Questa linea continua nella seconda metà della tavola per i mandrini di 2a e 3a maggiorazione.
- Cercare in questa linea le colonne di "dimensione del foro" e selezionare quale sia più vicina o uguale alla cifra calcolata al punto uno. Adesso è possibile leggere il codice del mandrino accanto alla "dimensione del foro". -esempio: 07150-06104.
- Soltanto per Chobert® e Grovit®, la maggior parte dei mandrini sono disponibili anche in una versione "ribassata" (vedere l'illustrazione riportata a pagina 133). I mandrini ribassati sono utilizzati per minimizzare la possibilità che la testa del mandrino tocchi un'ostruzione posteriore. Questo darebbe come conseguenza che la testa del rivetto non si appoggi correttamente sulla superficie dell'applicazione, causando una mancanza di ribaditura nel giunto.
- Quale che sia la dimensione del mandrino da voi prescelta, sarà anche necessario calcolare che la cifra "P" sia accurata rispetto al mandrino prescelto. "P" è lo spazio libero necessario per la testa del mandrino sulla parte posteriore dell'applicazione IN AGGIUNTA alla lunghezza del rivetto che fuoriesce dall'applicazione, come illustrato nel disegno a pagina 133.
- A questo punto potrete leggere il codice relativo alla molla del mandrino nella colonna a destra della tavola - esempio 07150-06804.

In tutti i casi, la ribaditura soddisfacente di un giunto deve essere valutata ed in particolare nel caso in cui la dimensione del foro della vostra applicazione sia vicina a quella del foro della maggiorazione seguente, quando potrebbe essere più sicuro scegliere una dimensione del mandrino superiore per ottenere una ribaditura maggiore. RICORDARSI che questo aumenterà il carico di brocciatura e ridurrà la vita utile del mandrino.

## Briv® - Misure Imperiali

Per la selezione del mandrino o della molla, seguire le istruzioni sopra riportate.

RIVETTO	N. DI RIF.	DIMEN. FORO	MANDRINO STANDARD - VERDE			DIMEN. FORO	MANDRINO 1A MAGGIORAZIONE - GIALLO			CODICE MOLLA
			DIAM. TESTA	CODICE MANDRINO	P MAX.		DIAM. TESTA	CODICE MANDRINO	P MAX.	
3/32" BRIV® Solo ottone	13	Come Sugg.	,072	07150-06013	,119	+,004	,076	07150-06113	,123	07170-06873
	14	Come Sugg.	,072	07150-06013	,119	+,004	,076	07150-06113	,123	07170-06903
1/8" BRIV® Lega d'alluminio, ottone, acciaio	15	Come Sugg.	,092	07271-06414	,120	+,005	,097	07271-06514	,126	07150-06814
	16	Come Sugg.	,092	07271-07414	,120	+,005	,097	07271-07514	,126	07150-07814
5/32" BRIV® Lega d'alluminio, ottone, acciaio	17	Come Sugg.	,110	07150-06015	,136	+,005	,115	07150-06115	,142	07170-06875
	18	Come Sugg.	,110	07150-07015	,136	+,005	,115	07150-07115	,142	07170-07875
5/32" BRIV® Solo acciaio inossidabile	19	Come Sugg.	,120	07170-06805	,126	+,005	,125	07170-06825	,132	07170-06875
	20	Come Sugg.	,120	07170-07805	,126	+,005	,125	07170-07825	,132	07170-07875
3/16" BRIV® Lega d'alluminio, ottone, acciaio	21	Come Sugg.	,141	07150-06016	,157	+,005	,146	07150-06116	,164	07170-06876
	22	Come Sugg.	,141	07150-07016	,157	+,005	,146	07150-07116	,164	07170-07876
3/16" BRIV® Solo acciaio inossidabile	23	Come Sugg.	,153	07170-06806	,150	+,005	,158	07170-06826	,156	07170-06876
	24	Come Sugg.	,153	07170-07806	,150	+,005	,158	07170-07826	,156	07170-07876
6mm BRIV® Lega d'alluminio, acciaio	25	Come Sugg.	,179	07150-06018	,165	+,005	,184	07150-06118	,171	07150-06846
	26	Come Sugg.	,179	07150-07018	,165	+,005	,184	07150-07118	,171	07150-07846

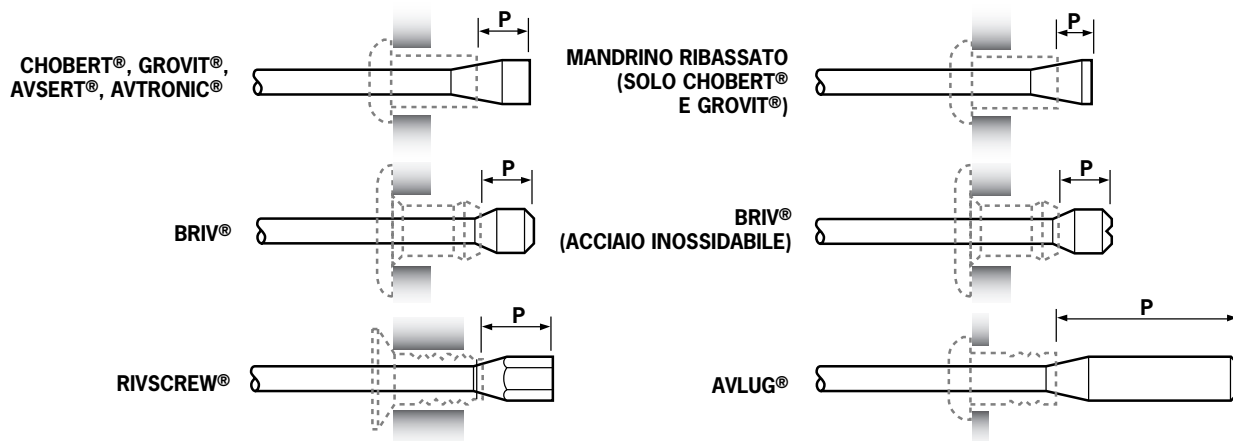
RIVETTO	N. DI RIF.	DIMEN. FORO	MANDRINO 2A MAGGIORAZIONE - BLU			DIMEN. FORO	MANDRINO 3A MAGGIORAZIONE - ROSSO			CODICE MOLLA
			DIAM. TESTA	CODICE MANDRINO	P MAX.		DIAM. TESTA	CODICE MANDRINO	P MAX.	
3/32" BRIV® Solo ottone	13	+,008	,079	07150-06213	,126	-	-	-	-	07170-06873
	14	+,008	,079	07150-06213	,126	-	-	-	-	07170-06903
1/8" BRIV® Lega d'alluminio, ottone, acciaio	15	+,010	,102	07271-06614	,133	-	-	-	-	07150-06814
	16	+,010	,102	07271-07614	,133	-	-	-	-	07150-07814
5/32" BRIV® Lega d'alluminio, ottone, acciaio	17	+,010	,120	07150-06215	,149	-	-	-	-	07170-06875
	18	+,010	,120	07150-07215	,149	-	-	-	-	07170-07875
5/32" BRIV® Solo acciaio inossidabile	19	-	-	-	-	-	-	-	-	-
	20	-	-	-	-	-	-	-	-	-
3/16" BRIV® Lega d'alluminio, ottone, acciaio	21	+,010	,151	07150-06216	,170	+,012	,153	07150-06316	,173	07170-06876
	22	+,010	,151	07150-07216	,170	+,012	,153	07150-07316	,173	07170-07876
3/16" BRIV® Solo acciaio inossidabile	23	-	-	-	-	-	-	-	-	-
	24	-	-	-	-	-	-	-	-	-
6mm BRIV® Lega d'alluminio, acciaio	25	+,010	,189	07150-06218	,177	-	-	-	-	07150-06846
	26	+,010	,189	07150-07218	,177	-	-	-	-	07150-07846

# Equipaggiamento

## Tipi di Testa del Mandrino e di Lunghezza 'P'

I mandrini per acciaio inossidabile Briv® sono identificabili facilmente da un intaglio a "V" nella testa del mandrino.

Quando si usano delle testate curve, i mandrini devono essere piegati a mano per sposare la curvatura della testata, assicurando così un'alimentazione ottimale di rivetti.



## BRIV® - Dimensioni Metrico Decimali

RIVETTO	N. DI RIF.	DIMEN. FORO	MANDRINO STANDARD - VERDE			DIMEN. FORO	MANDRINO 1A MAGGIORAZIONE - GIALLO			CODICE MOLLA
			DIAM. TESTA	CODICE MANDRINO	P MAX.		DIAM. TESTA	CODICE MANDRINO	P MAX.	
2,4mm BRIV® Solo ottone	13	Come Sugg.	1,83	07150-06013	3,02	+10	1,93	07150-06113	3,12	07170-06873
	14	Come Sugg.	1,83	07150-06013	3,02	+10	1,93	07150-06113	3,12	07170-06903
3,2mm BRIV® Lega d'alluminio, ottone, acciaio	15	Come Sugg.	2,34	07271-06414	3,05	+13	2,46	07271-06514	3,20	07150-06814
	16	Come Sugg.	2,34	07271-07414	3,05	+13	2,46	07271-07514	3,20	07150-07814
4,0mm BRIV® Lega d'alluminio, ottone, acciaio	17	Come Sugg.	2,79	07150-06015	3,45	+13	2,92	07150-06115	3,61	07170-06875
	18	Come Sugg.	2,79	07150-07015	3,45	+13	2,92	07150-07115	3,61	07170-07875
4,0mm BRIV® Solo acciaio inossidabile	19	Come Sugg.	3,05	07170-06805	3,20	+13	3,18	07170-06825	3,35	07170-06875
	20	Come Sugg.	3,05	07170-07805	3,20	+13	3,18	07170-07825	3,35	07170-07875
4,8mm BRIV® Lega d'alluminio, ottone, acciaio	21	Come Sugg.	3,58	07150-06016	3,99	+13	3,71	07150-06116	4,17	07170-06876
	22	Come Sugg.	3,58	07150-07016	3,99	+13	3,71	07150-07116	4,17	07170-07876
4,8mm BRIV® Solo acciaio inossidabile	23	Come Sugg.	3,89	07170-06806	3,81	+13	4,01	07170-06826	3,96	07170-06876
	24	Come Sugg.	3,89	07170-07806	3,81	+13	4,01	07170-07826	3,96	07170-07876
6mm BRIV® Lega d'alluminio, acciaio	25	Come Sugg.	4,54	07150-06018	4,18	+13	4,67	07150-06118	4,34	07150-06846
	26	Come Sugg.	4,54	07150-07018	4,18	+13	4,67	07150-07118	4,34	07150-07846

RIVETTO	N. DI RIF.	DIMEN. FORO	MANDRINO 2A MAGGIORAZIONE - BLU			DIMEN. FORO	MANDRINO 3A MAGGIORAZIONE - ROSSO			CODICE MOLLA
			DIAM. TESTA	CODICE MANDRINO	P MAX.		DIAM. TESTA	CODICE MANDRINO	P MAX.	
2,4mm BRIV® Solo ottone	13	+20	2,01	07150-06213	3,20	-	-	-	-	07170-06873
	14	+20	2,01	07150-06213	3,20	-	-	-	-	07170-06903
3,2mm BRIV® Lega d'alluminio, ottone, acciaio	15	+25	2,59	07271-06614	3,38	-	-	-	-	07150-06814
	16	+25	2,59	07271-07614	3,38	-	-	-	-	07150-07814
4,0mm BRIV® Lega d'alluminio, ottone, acciaio	17	+25	3,05	07150-06215	3,78	-	-	-	-	07170-06875
	18	+25	3,05	07150-07215	3,78	-	-	-	-	07170-07875
4,0mm BRIV® Solo acciaio inossidabile	19	-	-	-	-	-	-	-	-	-
	20	-	-	-	-	-	-	-	-	-
4,8mm BRIV® Lega d'alluminio, ottone, acciaio	21	+25	3,84	07150-06216	4,32	+30	3,85	07150-06316	4,39	07170-06876
	22	+25	3,84	07150-07216	4,32	+30	3,85	07150-07316	4,39	07170-07876
4,8mm BRIV® Solo acciaio inossidabile	23	-	-	-	-	-	-	-	-	-
	24	-	-	-	-	-	-	-	-	-
6mm BRIV® Lega d'alluminio, acciaio	25	+25	4,79	07150-06218	4,49	-	-	-	-	07150-06846
	26	+25	4,79	07150-07218	4,49	-	-	-	-	07150-07846



## Avlug®, Avsert®, Avtronic® & Rivscrew® - Misure Imperial & Dimensioni Merico Decimali

Per la selezione dei mandrini o delle molle, seguire le istruzioni delineate a pagina 132.

RIVETTO	N. DI RIF.	DIMEN. FORO	MANDRINO STANDARD - VERDE			DIMEN. FORO	MANDRINO 1A MAGGIORAZIONE - GIALLO			CODICE MOLLA
			DIAM. TESTA	CODICE MANDRINO	P MAX.		DIAM. TESTA	CODICE MANDRINO	P MAX.	
3/32" AVLUG®	27	Come Sugg.	,076	07150-06603	,353	+0,005	,081	07150-06703	,478	07150-06803
	28	Come Sugg.	,076	07150-07603	,353	+0,003	,079	07150-07703	,368	07150-07803
1/8" AVLUG®	29	Come Sugg.	,098	07150-06604	,593	-	-	-	-	07150-06804
	30	Come Sugg.	,098	07150-07604	,593	-	-	-	-	07150-07804
2,5mm, 4-40 UNC AVSERT®	31	Come Sugg.	,0725	07150-06003	,145	-	-	-	-	07150-06803
3,0mm, 6-32 UNC AVSERT®	32	Come Sugg.	,088	07150-06004	,185	-	-	-	-	07150-06804
2,5mm AVTRONIC®	33	Come Sugg.	,070	07170-06025	,140	+0,003	,073	07170-06125	,140	07150-06803
	34	Come Sugg.	,070	07170-07025	,140	+0,003	,073	07170-07125	,140	07150-07803
2,8mm AVTRONIC®	35	Come Sugg.	,079	07170-06028	,150	+0,003	,082	07170-06128	,150	07170-06528
	36	Come Sugg.	,079	07170-06028	,150	+0,003	,082	07170-06128	,150	07170-06873
	37	Come Sugg.	,079	07170-07028	,150	+0,003	,082	07170-07128	,150	07170-07528
2,8mm RIVSCREW®	38	Come Sugg.	*,065	07271-06030	,127	-	-	-	-	07271-06630
3,0mm RIVSCREW®	39	Come Sugg.	*,065	07271-06030	,127	-	-	-	-	07271-06630
3,5mm RIVSCREW®	40	Come Sugg.	*,0825	07271-06035	,132	-	-	-	-	07271-06635
4,0mm RIVSCREW®	41	Come Sugg.	*,103	07271-06140	,150	-	-	-	-	07271-06640

\* Queste dimensioni sono interpiano.

RIVETTO	N. DI RIF.	DIMEN. FORO	MANDRINO 2A MAGGIORAZIONE - BLU			DIMEN. FORO	MANDRINO 3A MAGGIORAZIONE - ROSSO			CODICE MOLLA
			DIAM. TESTA	CODICE MANDRINO	P MAX.		DIAM. TESTA	CODICE MANDRINO	P MAX.	
3/32" AVLUG®	27	-	-	-	-	-	-	-	-	-
	28	-	-	-	-	-	-	-	-	-
1/8" AVLUG®	29	-	-	-	-	-	-	-	-	-
	30	-	-	-	-	-	-	-	-	-
2,5mm, 4-40 UNC AVSERT®	31	-	-	-	-	-	-	-	-	-
3,0mm, 6-32 UNC AVSERT®	32	-	-	-	-	-	-	-	-	-
2,5mm AVTRONIC®	33	+0,006	,076	07170-06225	,140	-	-	-	-	07150-06803
	34	+0,006	,076	07170-07225	,140	-	-	-	-	07150-07803
2,8mm AVTRONIC®	35	+0,006	,085	07170-06228	,150	-	-	-	-	07170-06528
	36	+0,006	,085	07170-06228	,150	-	-	-	-	07170-06873
	37	+0,006	,085	07170-07228	,150	-	-	-	-	07170-07528
2,8mm RIVSCREW®	38	-	-	-	-	-	-	-	-	-
3,0mm RIVSCREW®	39	-	-	-	-	-	-	-	-	-
3,5mm RIVSCREW®	40	-	-	-	-	-	-	-	-	-
4,0mm RIVSCREW®	41	-	-	-	-	-	-	-	-	-

RIVETTO	N. DI RIF.	DIMEN. FORO	MANDRINO STANDARD - VERDE			DIMEN. FORO	MANDRINO 1A MAGGIORAZIONE - GIALLO			CODICE MOLLA
			DIAM. TESTA	CODICE MANDRINO	P MAX.		DIAM. TESTA	CODICE MANDRINO	P MAX.	
2,4mm AVLUG®	27	Come Sugg.	1,93	07150-06603	8,97	+10	2,06	07150-06703	12,14	07150-06803
	28	Come Sugg.	1,93	07150-07603	8,97	+10	2,01	07150-07703	9,35	07150-07803
3,2mm AVLUG®	29	Come Sugg.	2,49	07150-06604	15,06	-	-	-	-	07150-06804
	30	Come Sugg.	2,49	07150-07604	15,06	-	-	-	-	07150-07804
2,5mm, 4-40 UNC AVSERT®	31	Come Sugg.	1,84	07150-06003	3,68	-	-	-	-	07150-06803
3,0mm, 6-32 UNC AVSERT®	32	Come Sugg.	2,24	07150-06004	4,70	-	-	-	-	07150-06804
2,5mm AVTRONIC®	33	Come Sugg.	1,78	07170-06025	3,56	+0,7	1,85	07170-06125	3,56	07150-06803
	34	Come Sugg.	1,78	07170-07025	3,56	+0,7	1,85	07170-07125	3,56	07150-07803
2,8mm AVTRONIC®	35	Come Sugg.	2,01	07170-06028	3,81	+0,7	2,08	07170-06128	3,81	07170-06528
	36	Come Sugg.	2,01	07170-06028	3,81	+0,7	2,08	07170-06128	3,81	07170-06873
	37	Come Sugg.	2,01	07170-07028	3,81	+0,7	2,08	07170-07128	3,81	07170-07528
2,8mm RIVSCREW®	38	Come Sugg.	*,165	07271-06030	3,23	-	-	-	-	07271-06630
3,0mm RIVSCREW®	39	Come Sugg.	*,165	07271-06030	3,23	-	-	-	-	07271-06630
3,5mm RIVSCREW®	40	Come Sugg.	*,210	07271-06035	3,35	-	-	-	-	07271-06635
4,0mm RIVSCREW®	41	Come Sugg.	*,262	07271-06140	3,81	-	-	-	-	07271-06640

\* Queste dimensioni sono interpiano.

RIVETTO	N. DI RIF.	DIMEN. FORO	MANDRINO 2A MAGGIORAZIONE - BLU			DIMEN. FORO	MANDRINO 3A MAGGIORAZIONE - ROSSO			CODICE MOLLA
			DIAM. TESTA	CODICE MANDRINO	P MAX.		DIAM. TESTA	CODICE MANDRINO	P MAX.	
2,4mm AVLUG®	27	-	-	-	-	-	-	-	-	-
	28	-	-	-	-	-	-	-	-	-
3,2mm AVLUG®	29	-	-	-	-	-	-	-	-	-
	30	-	-	-	-	-	-	-	-	-
2,5mm, 4-40 UNC AVSERT®	31	-	-	-	-	-	-	-	-	-
3,0mm, 6-32 UNC AVSERT®	32	-	-	-	-	-	-	-	-	-
2,5mm AVTRONIC®	33	+15	1,93	07170-06225	3,56	-	-	-	-	07150-06803
	34	+15	1,93	07170-07225	3,56	-	-	-	-	07150-07803
2,8mm AVTRONIC®	35	+15	2,16	07170-06228	3,81	-	-	-	-	07170-06528
	36	+15	2,16	07170-06228	3,81	-	-	-	-	07170-06873
	37	+15	2,16	07170-07228	3,81	-	-	-	-	07170-07528
2,8mm RIVSCREW®	38	-	-	-	-	-	-	-	-	-
3,0mm RIVSCREW®	39	-	-	-	-	-	-	-	-	-
3,5mm RIVSCREW®	40	-	-	-	-	-	-	-	-	-
4,0mm RIVSCREW®	41	-	-	-	-	-	-	-	-	-

# Manutenzione dell'attrezzo

La manutenzione dovrà essere eseguita ad intervalli regolari e sarà necessario eseguire un controllo completo dell'attrezzo una volta all'anno o ogni 500.000 cicli, quale dei due si verifichi prima.

## IMPORANTE

**La responsabilità della consegna delle istruzioni relative alla manutenzione dell'attrezzo al personale responsabile, ricade esclusivamente sul datore di lavoro. L'operatore non deve eseguire la manutenzione o le riparazioni dell'attrezzo, a meno che non sia stato addestrato appositamente.**

## Manutenzione Giornaliera

- Tutti i giorni, prima dell'uso, mettere alcune gocce di olio lubrificante leggero pulito nel punto di entrata dell'aria dell'intensificatore, se l'alimentazione aria non è dotata di lubrificante. Nel caso in cui l'attrezzo sia in uso costante, il tubo flessibile dell'aria compressa dovrà essere staccato dall'alimentazione aria ogni due o tre ore e l'attrezzo andrà lubrificato.
- Verificare l'eventuale presenza di perdite d'aria. Se i tubi flessibili o i raccordi fossero danneggiati, andranno sostituiti.
- Se il regolatore di pressione non fosse dotato di filtro, spurgare l'aria per pulire eventuale sporco o acqua accumulatisi prima di collegare il tubo flessibile dell'aria all'intensificatore. Se il regolatore di pressione è dotato di filtro, spurgarlo.
- Controllare che l'equipaggiamento sia quello corretto.
- Controllare i mandrini regolarmente, per evidenziare eventuali segni di usura o di danno, controllando il numero di piazzamenti (leggere le ISTRUZIONI DI SICUREZZA riportate alle pagine 118).

## Smontaggio 07530-02200 MKII

- Condurre le procedure "quotidiane" complete nel modo sopra indicato.
- Smontare, controllare, pulire e ingrassare le ganasce (vedi "Cilindro ganasce" nella parte sulla manutenzione, pagine 138).
- Controllare che il livello dell'olio nel serbatoio dell'intensificatore sia di 12 mm circa al di sotto del coperchio trasparente.

## Grasso al Molitio EP 3753 - Dati Relativi alla Sicurezza

Il grasso può essere ordinato a parte, il codice viene indicato nel corredo di manutenzione riportate alle pagine 137.

### Pronto Soccorso

PELLE:

Siccome il grasso è assolutamente idroresistente, andrà levato con una sostanza emulsionante adatta per la pulizia della pelle.

INGESTIONE:

Far bere al paziente 30ml di latte di magnesia, preferibilmente in una tazza di latte.

OCCHI:

La sostanza è un irritante, ma non è pericolosa. Irrigare con acqua e consultare un medico.

### Incendio

PUNTO DI INFIAMMABILITÀ: Superiore a 220°C.

Non è classificato come infiammabile.

Metodi di spegnimento d'incendio adatti: CO<sub>2</sub>, Getti d'acqua o di Halon, purché applicati da un operatore esperto.

### Protezione dell'ambiente

Eliminare il prodotto raschiandolo e bruciandolo o consegnandolo in un punto di raccolta apposito.

### Manipolazione

Utilizzare una crema protettiva o guanti resistenti all'olio.

### Magazzinaggio

Lontano dal calore e da agenti ossidanti.



## Corredo di Manutenzione

Per tutta la manutenzione suggeriamo l'utilizzo del corredo di manutenzione sotto elencato (codice parte 07900-05300).

CORREDO DI MANUTENZIONE					
CODICE	DESCRIZIONE	QUANTITÀ	CODICE	DESCRIZIONE	QUANTITÀ
07900-00157	PINZE ANELLO ELASTICO DI SICUREZZA	1	07900-00352	GANCIO RIMOZIONE GUARNIZIONE	1
07900-00006	SPATOLA	1	07900-00710	CHIAVE SMONTAGGIO TAPPO CANNA	1
07900-00446	ESTRATTORE	1	07900-00725	CAPSULA	1
07900-00603	GANASCE MORSA CANNA	1	07900-00243	CACCIAVITE	1
07900-00520	ASTA 3/8"	1	07900-00488	CHIAVE INTENSIFICATORE	1
07900-00521	ASTA 1/4"	1	07900-00013	CHIAVE A BRUGOLA DA 1/8"	1
07900-00602	CAPSULA "O" RING	1	07900-00617	LOCTITE PER MULTISIGILLANTE574 CONFEZIONE DA 50ml	1
07900-00595	CHIAVE DA 18mm	1	07900-00469	CHIAVE A BRUGOLA DA 2,5 mm	1
07900-00434	CHIAVE DA 32mm	1	07900-00351	CHIAVE A BRUGOLA DA 3 mm	1
07900-00237	CHIAVE DA 3/8" x 5/16" B.S.W. <small>(B.S.W. = tipo di filettatura)</small>	1	07900-00224	CHIAVE A BRUGOLA DA 4 mm	1
07900-00012	CHIAVE DA 9/16" x 5/8"	1	07900-00225	CHIAVE A BRUGOLA DA 5 mm	1
07900-00008	CHIAVE DA 7/16" x 1/2"	1	07992-00020	BARATTOLO GRASSO AL MOLITIO DA 80G, EP 3753	1

*NOTA BENE: le dimensioni delle chiavi si riferiscono all'apertura delle stesse, a meno che non venga specificato diversamente.*

# Manutenzione

Ogni 500.000 cicli l'attrezzo deve essere smontato completamente e devono essere sostituiti i componenti usurati o danneggiati, o quelli per i quali si raccomanda la sostituzione. Tutte le guarnizioni e gli "O" RING devono essere sostituiti e lubrificati con grasso al Molitio EP 3753 prima del montaggio.

## I M P O R T A N T E

**Le istruzioni di sicurezza sono riportate alle pagine 118.  
La responsabilità della consegna delle istruzioni relative alla manutenzione dell'attrezzo al personale responsabile, ricade esclusivamente sul datore di lavoro. L'operatore non deve eseguire la manutenzione o le riparazioni dell'attrezzo, a meno che non sia stato addestrato appositamente.**

La linea di alimentazione dell'aria compressa deve essere staccata prima di eseguire la manutenzione o prima di smontare l'attrezzo, a meno che non sia specificato diversamente.

Si suggerisce che tutte le operazioni di smontaggio vengano eseguite in condizioni di assoluta pulizia.

Le procedure di smontaggio dell'attrezzo 07530 Mk II e dell'attrezzo 07532 Mk II vengono descritte separatamente, rispettivamente alle pagine 140-141. I numeri in **grassetto** si riferiscono allo schema generale e all'elenco dei componenti dei modelli corrispondenti riportati alle pagine da 142-145.

Prima di smontare l'attrezzo, dovete levare l'equipaggiamento.

Per effettuare la manutenzione completa dell'attrezzo consigliamo di eseguire lo smontaggio dei sottocomplessivi nell'ordine indicato di sotto, dopo aver scollegato il tubo flessibile idraulico dall'intensificatore e il tubo flessibile dell'aria del grilletto dalla valvola dell'intensificatore, separando così pistola ed intensificatore.

## Smontaggio 07530-02200 MkII

Per la procedura di smontaggio dell'attrezzo 07532-02200 Mk II vedi pagine 140-141.

### CILINDRO GANASCE

- Togliere manualmente il fermaglio **47** e smontare la ghiera adattatore **38**.
- Svitare una delle viti **44** con la chiave a brugola\*. Accertarsi che l'aria presente nel cilindro delle ganasce fuoriesca. Togliere la seconda vite **44**.
- Togliere il fondello posteriore **46**.
- Estrarre i componenti pneumatici delle ganasce: il gruppo pistone ganasce **14**, la molla **13**, le ganasce **9** e la sede ganasce **8**.
- Togliere il fondello situato posteriormente al gruppo pistone con una chiave a brugola\* e inserendo un'asta attraverso l'apertura grande della torretta.
- Pulire la torretta con un trapano (punta da 4,7 mm) e riapplicare il fondello con un sigillante che non indurisca, quale Loctite Multisigillante 574\*.
- Togliere l'"O" ring tenuta pistone **10**.
- Togliere tutte le cinque viti di fissaggio **34** e **39** e i dadi **33** dall'impugnatura con una chiave a brugola\*.
- Serrare la canna **25** in una morsa dalle ganasce morbide\* per evitare che si danneggi.
- Svitare il tappo **7** della canna con la chiave per dadi\*, impedendo che la canna **25** giri mediante una chiave fissa doppia\*.
- Staccare il cannello a soffiato **12** delle ganasce dal blocco pulsante **28** ed estrarre il cilindro ganasce **6** dall'attrezzo.
- Togliere l'"O" ring **4**, il nastro abrasivo **15** e la molla di ritorno canna **16**.
  
- La molla **13** deve essere lunga 38,1 mm (1,5"), quando non sotto tensione. Sostituirla se necessario.
- Ingrassare le ganasce con grasso al Molitio prima di rimontare.
  
- Rimontare eseguendo le operazioni opposte, in ordine inverso, a quelle sopra descritte.

### PISTONE IDRAULICO

- Smontare il cilindro ganasce **6** nel modo descritto precedentemente.
- Stringere in una morsa dalle ganasce morbide\* il corpo **19**, onde evitare che si danneggi; smontare il limitatore di corsa **17**.
- Stringere in una morsa dalle ganasce morbide la canna **25**, estrarre da essa il corpo **19** (dall'interno del corpo verrà espulsa una piccola quantità di olio idraulico).
- Togliere con cautela il pistone **18** in modo da non danneggiare le pareti interne del corpo.
- Togliere la guarnizione **3**.
- La guarnizione **1** può essere tolta difficilmente senza venir danneggiata: può comunque rimanere a posto durante la pulizia (a condizione che non venga interessata dalla pulizia stessa). Nel caso sia necessario sostituire la guarnizione **1**, procedere come descritto a seguito:
- Estrarre la guarnizione **1** dal corpo **19** mediante la spatola\*, facendo attenzione a non danneggiare il foro e le pareti interne del corpo; una volta tolta la guarnizione **1** DEVE essere gettata via.
- Per sostituire la guarnizione **1**, svitare il tubo idraulico **22** e montare un tappo di spurgo di ricambio **2**, avvitandolo in modo che il lato interno dello stesso rimanga a livello con la camera interna.
- Svitare il tappo di spurgo esistente finché la sua superficie interna non è a livello con quella del foro: ciò fornirà un passaggio per inserire senza difficoltà una nuova guarnizione **1** dalla parte posteriore del corpo.
- Accertarsi che la guarnizione sia ben ingrassata e montata nel verso giusto, con l'estremità aperta posizionata verso le ganasce posteriori.
- Rimontare seguendo l'ordine inverso rispetto a quello di smontaggio.

\* si riferisce ai particolari già compresi nel corredo di manutenzione 0753 Mk II. Per l'elenco completo consultare la pagina 137. I numeri in **grassetto** si riferiscono allo schema generale e all'elenco dei componenti riportati alle pagine 142-143.

## Smontaggio 07530-02200 MkII

---

### GRUPPO GRILLETTO

- Per smontare il gruppo grilletto aprire l'attrezzo nel modo descritto nei paragrafi precedenti.
- Scollegare tutti i tubi pneumatici dal gruppo, facendo attenzione a non danneggiarli. Estrarre il gruppo.
- Svitare il fermo **49** con la chiave\* e toglierlo. Fare attenzione a lasciare in posizione la molla **50**.
- Togliere l'"O" ring **53** facendo attenzione a non danneggiare gli alloggiamenti dell'alberino **54** e del fermo **49**.
- Pulire e rimontare utilizzando un nuovo "O" ring **53**.
- Verificare che la lunghezza della molla **50** corrisponda a 12,7 mm (quando non sotto tensione). Sostituirla se necessario.
- Rimontare eseguendo le operazioni opposte, in ordine inverso, a quelle sopra descritte.

### VALVOLA ON/OFF GANASCE

- L'unità è stata concepita in modo da ridurre al minimo gli interventi di manutenzione richiesti durante la vita operativa dell'attrezzo.
- Se è comunque necessario smontare la valvola, procedere come sotto descritto.
- Scollegare tutti i tubi pneumatici dal gruppo, facendo attenzione a non danneggiarli. Estrarre il gruppo.
- Staccare il gruppo dalla canna **25** svitando la vite **27** con una chiave a brugola\*.
- Togliere delicatamente con un cacciavite\* la rondella di chiusura a stella **26** dalla bobina delle ganasce **29**. Gettare la rondella.
- Estrarre la bobina delle ganasce **29** dal blocco pulsante **28**.
- Togliere l'"O" ring **31** facendo attenzione a non danneggiare la bobina delle ganasce **29**.
- Pulire la bobina e installare un nuovo "O" ring **31** con la capsula\* e inserirlo nel blocco pulsante **28**, facendo attenzione all'orientamento.
- Bloccare il gruppo in una morsa dalle ganasce morbide (per evitare che si danneggi) e installare una nuova rondella di chiusura a stella **26**.  
NON FORZARE.
- Rimontare eseguendo le operazioni opposte, in ordine inverso, a quelle sopra descritte.

### VALVOLA DI RITEGNO PRESSIONE GANASCE

- La valvola di ritegno **21** si trova nell'impugnatura dell'attrezzo.
- Per smontare o rimontare la valvola di ritegno **21** premere i raccordi a diaframma ed estrarre il tubo di plastica blu **23** da entrambe le estremità.
- Nel rimontare la valvola di ritegno **21**, verificarne l'orientamento.

### IMPUGNATURA E GHIERA ADATTATORE

- Pulire e controllare che non siano presenti spaccature o altri danni.

### CURSORE

- Pulire e oliare il cursore meccanico **5** saltuariamente con olio poco denso.

#### **I M P O R T A N T**

**Controllare l'attrezzo eseguendo la manutenzione quotidiana e settimanale.  
Dopo che l'attrezzo è stato smontato e prima di metterlo in funzionamento occorre SEMPRE  
effettuare il rabbocco dell'olio.**

\* si riferisce ai particolari già compresi nel corredo di manutenzione 0753 Mk II. Per l'elenco completo consultare la pagina 137. I numeri in **grassetto** si riferiscono allo schema generale e all'elenco dei componenti riportati alle pagine 142-143.

# Manutenzione

## Smontaggio 07532-02200 MkII

---

Per la procedura di smontaggio dell'attrezzo 07532-02200 Mk II vedi pagine 138-139.

### CILINDRO GANASCE

- Togliere manualmente il fermaglio **54** e smontare la ghiera adattatore **45**.
- Svitare una delle viti **51** con la chiave a brugola\*. Accertarsi che l'aria presente nel cilindro delle ganasce fuoriesca. Togliere la seconda vite **51**.
- Spingere in avanti il fondello posteriore **53** contro la molla **20** e lasciarlo di colpo per farlo cadere.
- Estrarre i componenti pneumatici delle ganasce: il gruppo pistone ganasce **21**, la molla **20**, le ganasce **16** e la sede ganasce **15**.
- Togliere il fondello situato posteriormente al gruppo pistone con una chiave a brugola\* e inserendo un'asta attraverso l'apertura grande della torretta.
- Pulire la torretta con un trapano (punta da 4,7 mm) e riapplicare il fondello con un sigillante che non indurisca, quale Loctite Multisigillante 574\*.
- Togliere l'"O" ring tenuta pistone **17**.
- Togliere tutte le cinque viti di fissaggio **41** e **46** e i dadi **40** dall'impugnatura con una chiave a brugola\*.
- Serrare la canna **31** in una morsa dalle ganasce morbide\* per evitare che si danneggi.
- Svitare il tappo **14** della canna con la chiave per dadi\*, impedendo che la canna **31** giri mediante una chiave fissa doppia\*.
- Staccare il cannello a soffietto **19** delle ganasce dal blocco pulsante **35** ed estrarre il cilindro ganasce **12** dall'attrezzo.
- Togliere l'"O" ring **10**, il nastro abrasivo **22** e la molla di ritorno canna **13**.
  
- La molla **20** deve essere lunga 38,1 mm, quando non sotto tensione. Sostituirla se necessario.
- Ingrassare le ganasce con grasso al Molitio prima di rimontare.
  
- Rimontare eseguendo le operazioni opposte, in ordine inverso, a quelle sopra descritte.

### PISTONE IDRAULICO

- Smontare il cilindro ganasce **12** nel modo descritto precedentemente.
- Stringere in una morsa dalle ganasce morbide\* il corpo **25**, onde evitare che si danneggi; smontare il limitatore di corsa **23**.
- Stringere in una morsa dalle ganasce morbide la canna **31**, estrarre da essa il corpo **25** (dall'interno del corpo verrà espulsa una piccola quantità di olio idraulico).
- Togliere con cautela il pistone **24** in modo da non danneggiare le pareti interne del corpo.
- Togliere la guarnizione **9**.
- La guarnizione **1** può essere tolta difficilmente senza venir danneggiata: può comunque rimanere a posto durante la pulizia (a condizione che non venga interessata dalla pulizia stessa). Nel caso sia necessario sostituire la guarnizione **1**, procedere come descritto a seguito:
- Estrarre la guarnizione **1** dal corpo **25** mediante la spatola\*, facendo attenzione a non danneggiare il foro e le pareti interne del corpo; una volta tolta la guarnizione **1** DEVE essere gettata via.
  
- Per sostituire la guarnizione **1**, smontare il tubo idraulico **63** e tutti i tubi dell'aria connessi. Svitare l'accoppiatore autosigillante **6**, togliere la piastra per montaggio a sospensione **4**, svitare l'adattatore tubo superiore **2** e montare un tappo di spurgo di ricambio **30** avvitandolo in modo che il lato interno dello stesso rimanga a livello con la camera interna.
- Svitare il tappo di spurgo esistente finché la sua superficie interna non è a livello con quella del foro: ciò fornirà un passaggio per inserire senza difficoltà una nuova guarnizione **1** dalla parte posteriore del corpo.
- Accertarsi che la guarnizione sia ben ingrassata e montata nel verso giusto, con l'estremità aperta posizionata verso le ganasce posteriori.
- Rimontare seguendo l'ordine inverso rispetto a quello di smontaggio.

\* si riferisce ai particolari già compresi nel corredo di manutenzione 0753 Mk II. Per l'elenco completo consultare la pagina 137. I numeri in **grassetto** si riferiscono allo schema generale e all'elenco dei componenti riportati alle pagine 144-145.

## Smontaggio 07532-02200 MkII

---

### GRUPPO GRILLETTO

- Per smontare il gruppo grilletto aprire l'attrezzo nel modo descritto nei paragrafi precedenti.
- Scollegare tutti i tubi pneumatici dal gruppo, facendo attenzione a non danneggiarli. Estrarre il gruppo.
- Svitare il fermo **56** con la chiave\* e toglierlo. Fare attenzione a lasciare in posizione la molla **57**.
- Togliere l'"O" ring **60** facendo attenzione a non danneggiare gli alloggiamenti dell'alberino **61** e del fermo **56**.
- Pulire e rimontare utilizzando un nuovo "O" ring **60**.
- Verificare che la lunghezza della molla **57** corrisponda a 12,7 mm (quando non sotto tensione). Sostituirla se necessario.
- Rimontare eseguendo le operazioni opposte, in ordine inverso, a quelle sopra descritte.

### VALVOLA ON/OFF GANASCE

- L'unità è stata concepita in modo da ridurre al minimo gli interventi di manutenzione richiesti durante la vita operativa dell'attrezzo.
- Se è comunque necessario smontare la valvola, procedere come sotto descritto.
- Scollegare tutti i tubi pneumatici dal gruppo, facendo attenzione a non danneggiarli. Estrarre il gruppo.
- Staccare il gruppo dalla canna **34** svitando la vite **31** con una chiave a brugola\*.
- Togliere delicatamente con un cacciavite\* la rondella di chiusura a stella **33** dalla bobina delle ganasce **36**. Gettare la rondella.
- Estrarre la bobina delle ganasce **36** dal blocco pulsante **35**.
- Togliere l'"O" ring **38** facendo attenzione a non danneggiare la bobina delle ganasce **38**.
- Pulire la bobina e installare un nuovo "O" ring **38** con la capsula\* e inserirlo nel blocco pulsante **35**, facendo attenzione all'orientamento.
- Bloccare il gruppo in una morsa dalle ganasce morbide (per evitare che si danneggi) e installare una nuova rondella di chiusura a stella **33**. **NON FORZARE**.
- Rimontare eseguendo le operazioni opposte, in ordine inverso, a quelle sopra descritte.

### VALVOLA DI RITEGNO PRESSIONE GANASCE

- La valvola di ritegno **26** si trova nell'impugnatura dell'attrezzo.
- Per smontare o rimontare la valvola di ritegno **26** premere i raccordi a diaframma ed estrarre il tubo di plastica blu **27** da entrambe le estremità.
- Nel rimontare la valvola di ritegno **26**, verificarne l'orientamento.

### IMPUGNATURA E GHIERA ADATTATORE

- Pulire e controllare che non siano presenti spaccature o altri danni.

### CURSORE

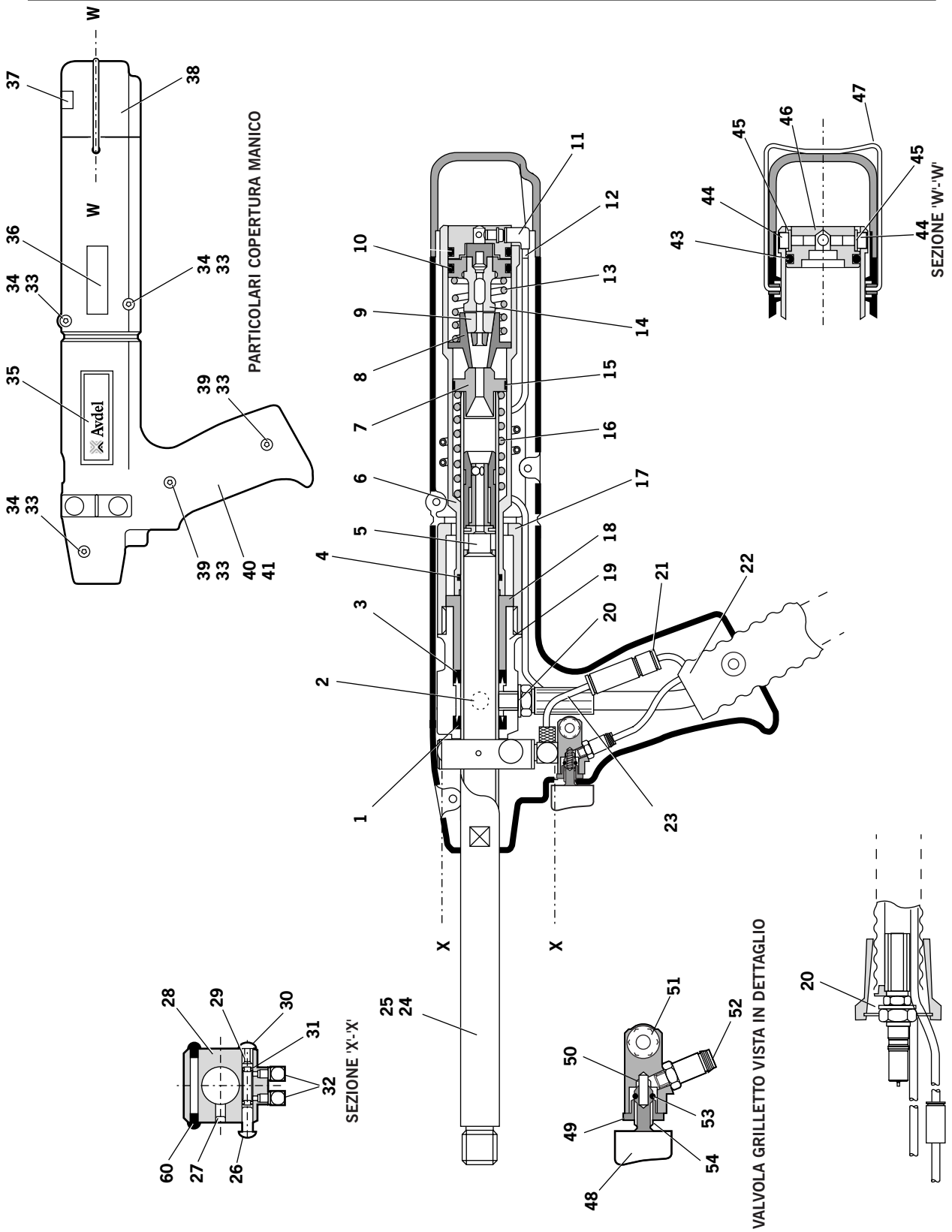
- Pulire e oliare il cursore meccanico **11** saltuariamente con olio poco denso.

#### **I M P O R T A N T**

**Controllare l'attrezzo eseguendo la manutenzione quotidiana e settimanale.  
Dopo che l'attrezzo è stato smontato e prima di metterlo in funzionamento occorre SEMPRE effettuare  
il rabbocco dell'olio.**

\* si riferisce ai particolari già compresi nel corredo di manutenzione 0753 Mk II. Per l'elenco completo consultare la pagina 137. I numeri in **grassetto** si riferiscono allo schema generale e all'elenco dei componenti riportati alle pagine 144-145.

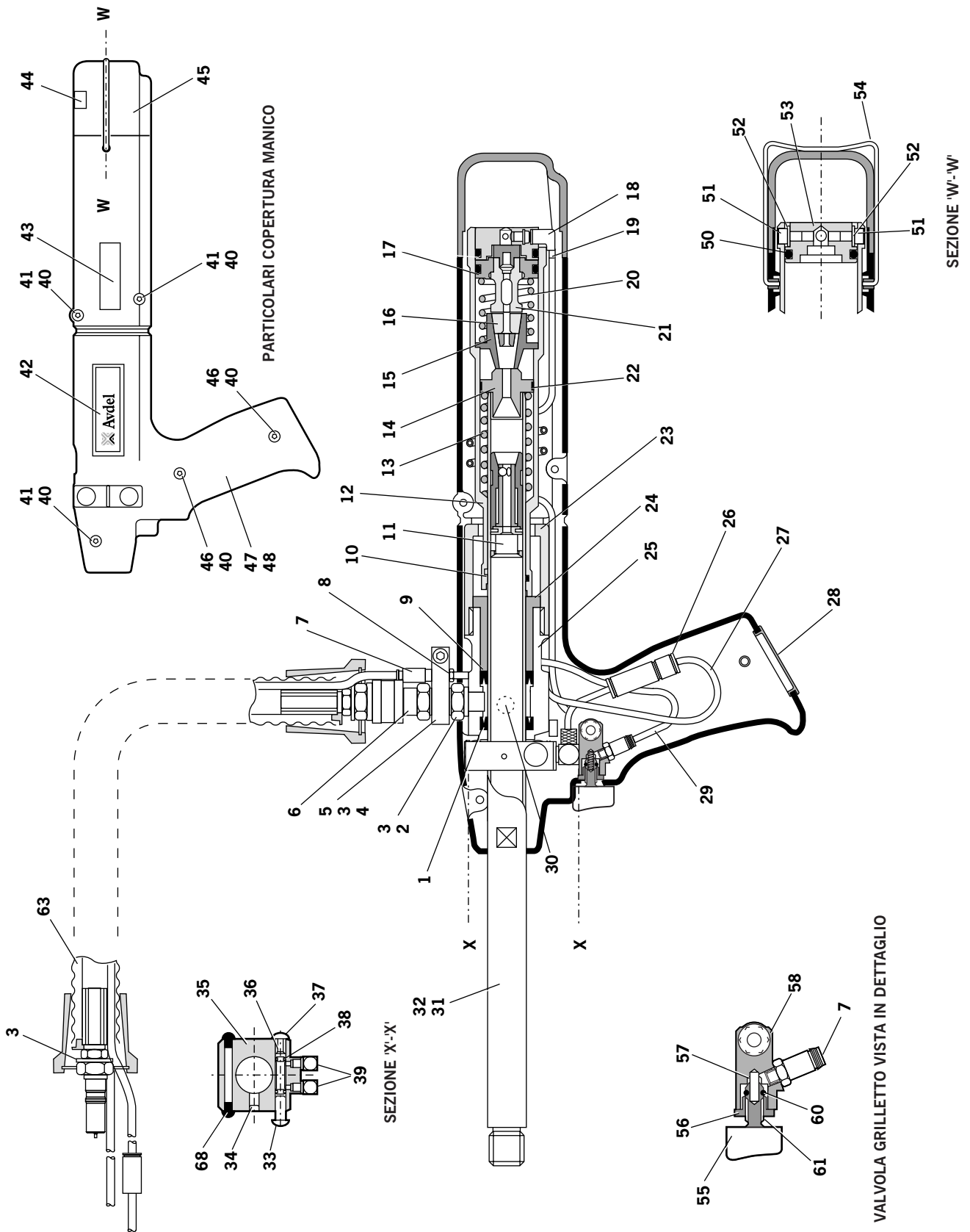
# Schema Generale Attrezzo di Base 07530-02200 MK II



# Elenco parti attrezzo di base 07530-02200 MkII Italiano

ELENCO COMPONENTI 07530-02200										
PART.	CODICE	DESCRIZIONE	QUANT.	RICAMBI	PART.	CODICE	DESCRIZIONE	QUANT.	RICAMBI	
1	07003-00237	GUARNIZIONE (STATICA)	1	-	29	07530-02302	BOBINA GANASCE	1	-	
2	07530-00500	GRUPPO TAPPO DI SPIURGO (PARTIC. DA 56 A 59)	1	-	30	07004-00059	RONDELLA DI CHIUSURA A STELLA 1/8" (NERA)	1	-	
3	07003-00236	GUARNIZIONE (DINAMICA)	1	-	31	07003-00121	"O" RING	2	3	
4	07003-00167	"O" RING	1	-	32	07005-01571	RACCORDO A GOMITO	2	-	
5	07271-01100	GRUPPO CURSORE MECCANICO	1	-	33	07002-00134	DADO ESAGONALE M4	5	-	
6	07530-02207	CILINDRO GANASCE	1	-	34	07001-00401	10 VITI A ESAGONO CAVO LUNGHE M4	3	-	
7	07530-02205	TAPPO CANNA	1	-	35	07530-02210	ETICHETTA	2	-	
8	07530-00208	SEDE GANASCE	1	-	36	07007-01504	ETICHETTA CE	1	-	
9	07151-00403	GANASCE	2	2	37	07007-01503	SIMBOLO LIBRO	1	-	
10	07003-00113	"O" RING	1	2	38	07530-02603	GHIERA ADATTATORE	1	-	
11	07005-01972	RACCORDO FILETTATO A "L"	1	-	39	07001-00262	22 VITI A ESAGONO CAVO LUNGHE M4	2	-	
12	07530-02211	CANNELLO A SOFFIETTO GANASCE	1	-	40	07530-02601	SEZIONE DESTRA IMPUGNATURA MODIFICATA	1	-	
13	07154-00404	MOLLA	1	-	41	07530-02602	SEZIONE SINISTRA IMPUGNATURA MODIFICATA	1	-	
14	07530-02800	GRUPPO PISTONE GANASCE	1	-	43	07003-00113	"O" RING	1	-	
15	07530-00206	NASTRO ABRASIVO	1	1	44	07001-00504	6 VITI A ESAGONO CAVO LUNGHE M4	2	2	
16	07490-03002	MOLLA RITORNO CANNA	1	-	45	07002-00153	RONDELLA PLASTICA M4	2	-	
17	07530-00204	LIMITATORE CORSA	1	-	46	07530-02213	FONDELLO POSTERIORE	1	-	
18	07530-00203	PISTONE	1	-	47	07530-02220	FERMAGLIO	1	-	
19	07530-02202	CORPO	1	-	48	07007-00300	GRILLETTO	1	-	
20	07003-00142	GUARNIZIONE DI TENUTA 1/8" BSP	2	2	49	07220-00803	FERMO	1	-	
21	07005-01973	VALVOLA DI RITEGNO	1	-	50	07125-00215	MOLLA	1	-	
22	07008-00423	TUBO IDRAULICO	1	-	51	07530-02311	SEDE GRILLETTO	1	-	
23	07005-01083	TUBO PLASTICA BLU 4mm diam. est.	60mm	-	52	07005-01357	RACCORDO A COLLARE	1	-	
24	07007-00017	TAPPO ANTIPOLVERE	1	-	53	07003-00022	"O" RING	1	-	
25	07530-02201	CANNA	1	-	54	07241-00208	CORPO GIREVOLE	1	-	
26	07004-00058	RONDELLA DI CHIUSURA A STELLA 1/8" (CROMO)	1	-	56	07003-00142	● GUARNIZIONE ADESIVA	1	1	
27	07001-00404	6 VITI A ESAGONO CAVO LUNGHE M5	1	-	57	07003-00194	● GUARNIZIONE ADESIVA	1	1	
28	07530-02301	BLOCCO PULSANTE	1	-	58	07001-00442	● VITE	1	-	
					59	07530-00501	● TAPPO	1	-	
					60	07530-00310	TAPPO	2	-	

# Schema generale attrezzo di base 07532-02200 MK II





# Elenco parti attrezzo di base 07532-02200 MkII Italiano

ELENCO COMPONENTI 07532-02200									
PART.	CODICE	DESCRIZIONE	QUANT.	RICAMBI	PART.	CODICE	DESCRIZIONE	QUANT.	RICAMBI
1	07003-00237	GUARNIZIONE (STATICA)	1	-	33	07004-00058	RONDELLA DI CHIUSURA A STELLA 1/8" (CROMO)	1	-
2	07532-00203	ADATTATORE TUBO SUPERIORE	1	-	34	07001-00404	6 VITI A ESAGONO CAVO LUNGHE M5	1	-
3	07003-00142	GUARNIZIONE DI TENUTA 1/8" BSP	4	2	35	07530-02301	BLOCCO PULSANTE	1	-
4	07532-02202	PIASTRA DI MONTAGGIO A SOSPENSIONE	1	-	36	07530-02302	BOBINA GANASCE	1	-
5	07532-00205	VITE MODIFICATA	1	-	37	07004-00059	RONDELLA DI CHIUSURA A STELLA 1/8" (NERA)	1	-
6	07005-00759	ACCOPPIATORE AUTOSIGILLANTE	1	-	38	07003-00121	"O" RING	2	3
7	07005-01357	RACCORDO A COLLARE	3	-	39	07005-01571	RACCORDO A GOMITO	2	-
8	07005-01325	RACCORDO A BAVA DRIITTO	2	-	40	07002-00134	DADO ESAGONALE M4	5	-
9	07003-00236	GUARNIZIONE (DINAMICA)	1	1	41	07001-00401	10 VITI A ESAGONO CAVO LUNGHE M4	3	-
10	07003-00167	"O" RING	1	1	42	07530-02210	ETICHETTA	1	-
11	07271-01100	GRUPPO CURSORE MECCANICO	1	-	43	07007-01504	ETICHETTA CE	1	-
12	07530-02207	CILINDRO GANASCE	1	-	44	07007-01503	SIMBOLO LIBRO	1	-
13	07490-03002	MOLLA RITORNO CANNA	1	-	45	07530-02603	GHIERA ADATTATORE	1	-
14	07530-02205	TAPPO CANNA	1	-	46	07001-00262	22 VITI A ESAGONO CAVO LUNGHE M4	2	-
15	07530-00208	SEDE GANASCE	1	-	47	07532-02208	SEZIONE DESTRA IMPUGNATURA MODIFICATA	1	-
16	07151-00403	GANASCE	2	2	48	07532-02209	SEZIONE SINISTRA IMPUGNATURA MODIFICATA	1	-
17	07003-00113	"O" RING	1	2	50	07003-00113	"O" RING	1	-
18	07005-01972	RACCORDO FILETTATO A "L"	1	-	51	07001-00504	6 VITI A ESAGONO CAVO LUNGHE M4	2	2
19	07530-02211	CANNELLO A SOFFIETTO GANASCE	1	-	52	07002-00153	RONDELLA PLASTICA M4	2	-
20	07154-00404	MOLLA	1	-	53	07530-02213	FONDELLO POSTERIORE	1	-
21	07530-02800	GRUPPO PISTONE GANASCE	1	-	54	07530-02220	FERMAGLIO	1	-
22	07530-00206	NASTRO ABRASIVO	1	1	55	07007-00300	GRILLETTO	1	-
23	07530-00204	LIMITATORE CORSA	1	-	56	07220-00803	FERMO	1	-
24	07530-00203	PISTONE	1	-	57	07125-00215	MOLLA	1	-
25	07530-02202	CORPO	1	-	58	07530-02311	SEDE GRILLETTO	1	-
26	07005-01973	VALVOLA DI RITEGNO	1	-	60	07003-00022	TAPPO	1	-
27	07005-01083	TUBO PLASTICA BLU 4mm diam. est.	350 mm	-	61	07241-00208	CORPO GIREVOLE	1	-
28	07532-02215	TAPPO DI TENUTA	1	-	63	07008-00414	TUBO IDRAULICO	1	-
29	07005-01084	TUBO PLASTICA NERO 4mm diam. est.	220 mm	-	64	07003-00142	● GUARNIZIONE ADESIVA	1	1
30	07530-00500	GRUPPO TAPPO DI SPURGO	1	-	65	07003-00194	● GUARNIZIONE ADESIVA	1	1
31	07530-02201	CANNA	1	-	66	07001-00442	● VITE	1	-
32	07007-00017	TAPPO ANTIPOLVERE	1	-	67	07530-00501	● TAPPO	1	-
					68	07530-00310	TAPPO	2	

# Intensificatore 07531-02200 - Manutenzione

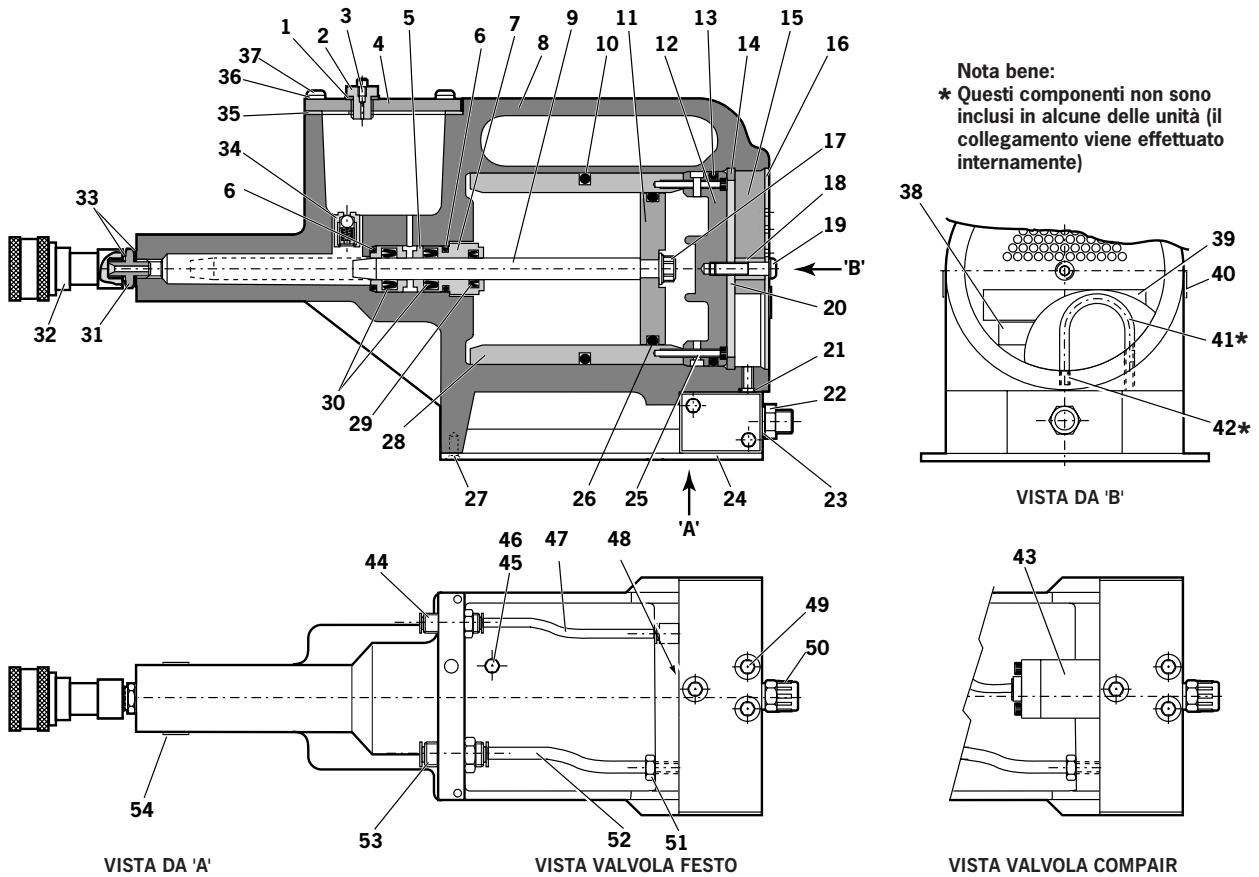
## Istruzioni di Smontaggio

- Per smontare l'intensificatore, per prima cosa scollegare il tubo flessibile di alimentazione dell'aria dal raccordo d'ingresso dell'intensificatore **22**.
- Svitare le quattro viti **27** con una chiave a brugola\* e levare la piastra di protezione **24**.
- Scollegare il tubicino del grilletto (particolare 22 a pagina 142 o 29 a pagina 140) dalla valvola intensificatore **43** o **48** premendo il collare esterno e tirandolo.
- Togliere le viti **4** e le rondelle **35** con una chiave a brugola\* in modo da poter levare la piastra di copertura **37** e la guarnizione **36**.
- Nel rimontare l'intensificatore accertarsi che la guarnizione non sia danneggiata e che fornisca una buona tenuta.
- Rivoltare il complessivo intensificatore e versare l'olio che fuoriesce dal serbatoio in un contenitore adatto.
- Togliere il raccordo a sganciamento rapido **32** insieme al raccordo **31** e alle guarnizioni **33** con una chiave adatta\*.
- Togliere la valvola dell'intensificatore **43** o **48** svitando le viti con una chiave adatta, facendo attenzione a lasciare l'"O" ring **21** situato nel corpo dell'intensificatore.
- Svitare la vite **19** con una chiave a brugola\* adatta e levare la copertura del filtro **16**, il silenziatore espanso **15**, il distanziatore **18** e la piastra di fermo **20**.
- Estrarre il tubo di plastica da 6 mm **41** dai raccordi depressione **42**.
- Dalla base dell'intensificatore inserire la chiave a brugola\* da 3 mm attraverso i due fori e svitare i raccordi depressione **42**.  
Leggere le avvertenze sotto elencate:
  - Fare attenzione in quanto i raccordi depressione sono fissati e sigillati in posizione con Loctite 574.
  - Se difficili da smontare, i raccordi depressione possono essere tolti con un trapano fornito di punta da 3/16 pollici (4,7 mm).
- Per rimontare i raccordi depressione **42** seguire la procedura sotto descritta:
  - Immergere i raccordi in una soluzione di preparazione adatta come Perma Bond A905.
  - Porre una goccia di Loctite 574 nel foro filettato dell'intensificatore.
  - Dalla base dell'intensificatore inserire la chiave a brugola\* attraverso il foro. Accertarsi che la chiave a brugola\* sia priva di Loctite 574 prima di inserirla nel raccordo depressione.
  - Ruotare la chiave a brugola mentre si applica Loctite 574 alla base del raccordo depressione.
  - Avvitare il raccordo depressione all'intensificatore accertandosi che ci sia abbastanza Loctite 574 alla base del pezzo da coprire alla vista la filettatura.
- Estrarre con cautela l'anello di fermo interno **14** con un cacciavite. Pulirlo e verificare che la scanalatura non presenti danni.
- Inserire l'estremità maschio filettata dell'estrattore\* nella copertura dell'estremità **12**; tirarlo all'indietro estraendo il manicotto dell'intensificatore **28** e gli "O" ring **10** e **13**.
- Estrarre l'asta pistone **9** e il gruppo pistone inserendo e spingendo (mediante colpi leggeri) l'asta\* attraverso il foro del raccordo situato sul lato anteriore del corpo dell'intensificatore.
- Svitare le due viti **25** con una chiave a brugola adatta\* e levare la copertura dell'estremità **12** dal manicotto dell'intensificatore **28**.
- Togliere il tappo **7** con una chiave\*.
- Inserire l'asta\* attraverso l'apertura del raccordo nella parte anteriore del corpo dell'intensificatore e spingere fuori l'alloggiamento guarnizione **5** con i relativi "O" ring e guarnizioni a labbro.
- Togliere la sede valvola **34** dal corpo principale con una chiave adatta\*; pulirlo con un getto d'aria a bassa pressione.
- Togliere l'asta del pistone **9** dal pistone ad aria dell'intensificatore **11** afferrandone i primi 20 mm in una morsa dalle ganasce morbide, facendo attenzione a non danneggiarne o graffiarne la superficie di lavoro.
- Svitare il controdado **17** con una chiave adatta\*.
- Rimontare seguendo l'ordine inverso rispetto a quello di smontaggio, eseguendo le operazioni descritte a seguito:
  - Pulire tutte le parti e sostituire tutti gli "O" ring;
  - Lubrificare tutte le guarnizioni con grasso al Molitio;
  - Rimontare la sede valvola **34** usando del filamento adesivo di tenuta;
  - Montare il gruppo pistone utilizzando un nuovo dado **17**.
- La copertura dell'estremità **12** deve essere montata correttamente dentro l'anello di ritenzione **14**. L'attrezzo non deve essere messo in funzione se la copertura dell'estremità non è stata rimontata.

### I M P O R T A N T E

**Dopo che l'attrezzo è stato smontato e prima di metterlo in funzionamento occorre SEMPRE effettuare il rabbocco dell'olio.**

\* si riferisce ai particolari già compresi nel corredo di manutenzione 0753 Mk II. Per l'elenco completo consultare la pagina 137. I numeri in **grassetto** rimandano allo schema generale ed all'elenco dei componenti riportati nella pagina a fianco.



## ELENCO COMPONENTI 07531-02200

PART.	CODICE	DESCRIZIONE	QUANT.	RICAMBI	PART.	CODICE	DESCRIZIONE	QUANT.	RICAMBI
1	07003-00037	GUARNIZIONE	1	1	28	07531-00201	MANICOTTO	1	-
2	07240-00211	VITE FORO RIEMPIMENTO	1	-	29	07003-00337	GUARNIZIONE A LABBRO	1	1
3	07001-00418	VITE FORO DI SPURGO	1	1	30	07003-00336	GUARNIZIONE A LABBRO	2	2
4	07240-00210	PIASTRA DI COPERTURA	1	-	31	07005-00406	RACCORDO	1	-
5	71420-02006	SEDE GUARNIZIONE	1	-	32	07005-00759	RACCORDO A SGANCIAMENTO RAPIDO	1	-
6	07003-00153	"O" RING	2	-	33	07003-00142	GUARNIZIONE	2	1
7	71420-02007	TAPPO DI TENUTA	1	-	34	07240-00400	SEDE VALVOLA	1	-
8	71420-02300	CORPO	1	-	35	07240-00209	GUARNIZIONE	1	1
9	71420-02008	ASTA PISTONE	1	-	36	07002-00073	RONDELLA	4	1
10	07003-00182	"O" RING	1	1	37	07001-00554	VITE	4	1
11	07531-00202	PISTONE ARIA	1	-	38	07007-01504	ETICHETTA	1	-
12	07531-00204	COPERCHIO ESTREMITÀ	1	-	39	07240-00217	ETICHETTA	1	-
13	07003-00183	"O" RING	1	1	40	07531-00205	ETICHETTA	2	-
14	07004-00069	ANELLO DI RITENZIONE	1	1	41	07005-00596	* TUBO PLASTICA 6mm	-	-
15	07240-00213	SILENZIATORE ESPANSO	1	1	42	07245-00103	* RACCORDO DEPRESSIONE	2	-
16	07240-00214	COPERCHIO SILENZIATORE	1	-	43	07005-00590	VALVOLA COMPAIR	1	1
17	07002-00017	DADO	1	1	44	07005-01431	RACCORDO A DIAFRAMMA	1	1
18	07240-00215	DISTANZIATORE	1	-	45	07005-00668	TAPPO M5	1	-
19	07001-00417	VITE	1	1	46	07005-00670	ANELLO DI TENUTA M5	1	-
20	07240-00216	PIASTRA DI FERMO	1	-	47	07005-01084	TUBO PLASTICA 4mm (150 mm)	-	-
21	07003-00042	"O" RING	1	1	48	07005-01524	VALVOLA FESTO	1	-
22	07005-00041	RACCORDO	1	-	49	07001-00176	VITE	3	-
23	07003-00065	RONDELLA	1	-	50	07007-00292	COPERCHIO ANTIPOLVERE 1/4" BSP	1	-
24	07240-00220	PIASTRA DI PROTEZIONE	1	-	51	07005-00647	RACCORDO	1	-
25	07001-00375	VITE	2	-	52	07005-01085	TUBO PLASTICA 6mm (150 mm)	-	-
26	07003-00238	"O" RING	1	1	53	07005-00855	DIAFRAMMA	1	-
27	07001-00396	VITE	4	-	54	07007-01503	ETICHETTA	1	-

# Valvola Pilota 07005-00590 - Manutenzione

## Istruzioni di Smontaggio

---

Le presenti istruzioni di manutenzione si riferiscono alla valvola Compair, se montata.

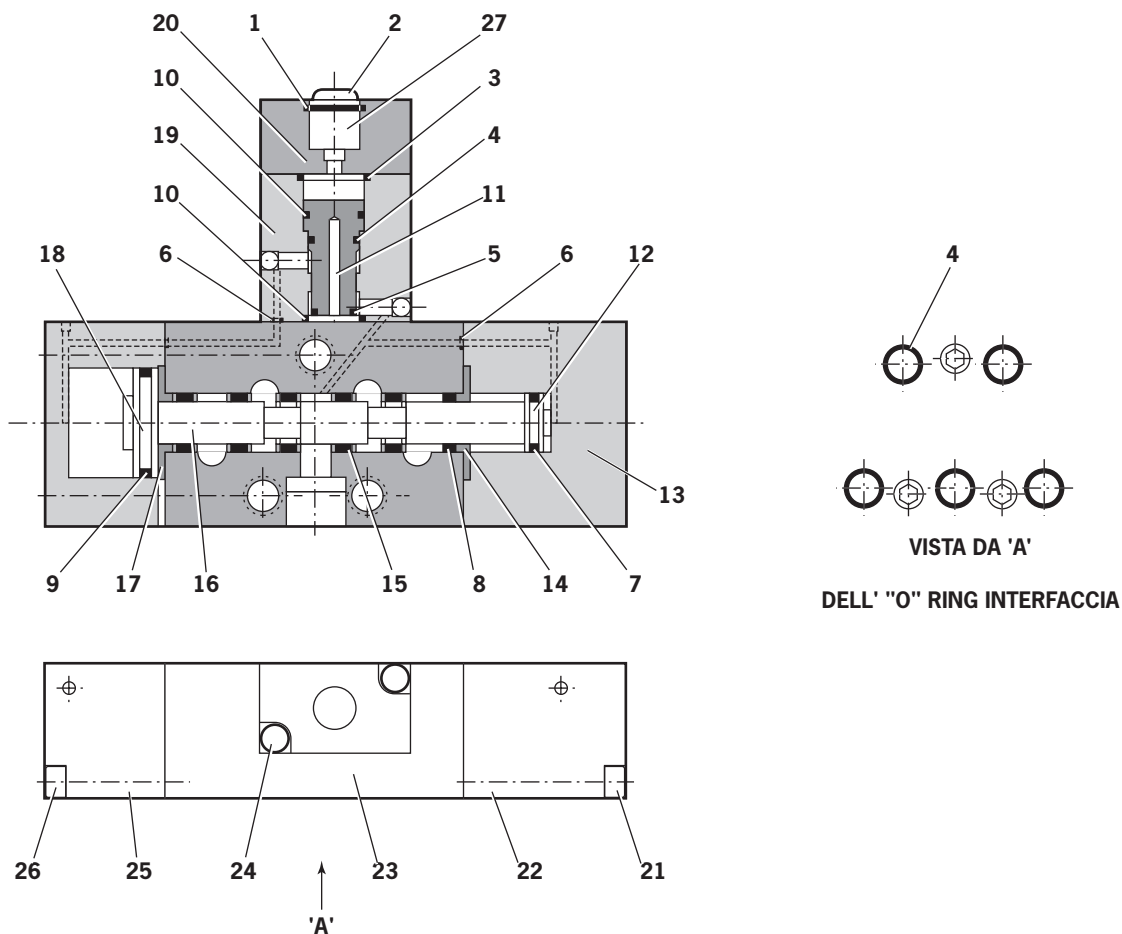
La manutenzione della valvola si limita allo smontaggio ed alla sostituzione degli "O" ring.

- Svitare le viti **24** e togliere il complessivo pilota.
- Smontare il pistone **11** e togliere e gettare via gli "O" ring **3, 10, 4 e 5**.
- Togliere le viti **26 e 21** e i fondelli **22 e 25**.
- Estrarre i pistoni **12 e 18** e togliere gli "O" ring **7 e 9** dai pistoni.
- Estrarre la bobina **16** dal foro, facendo attenzione a non danneggiare la superficie della bobina e togliere le rondelle di posizione **14 e 17**, l'"O" ring **8**, i distanziatori **15** e "O" ring **6** da ogni estremità del corpo della valvola.
- Togliere i cinque "O" ring interfaccia **4**.
- Gettare via TUTTI gli "O" ring tolti.
- Pulire tutte le parti con paraffina o con acquaragia minerale. NON USARE SOLVENTI. Asciugare tutte le parti.
- Ingrassare leggermente i fori del corpo della valvola **23**, il corpo della valvola pilota **19**, entrambi i cappucci delle estremità **22 e 25** e tutti gli "O" ring di ricambio con del grasso CENTOPLEX 2.
- Montare "O" ring **10, 4 e 5** nuovi nel pistone **11** e inserirlo nel corpo della valvola pilota.
- Montare "O" ring **3, 10 e 6** nuovi nel corpo della valvola pilota, porre in posizione il cappuccio superiore **20** e fissare la valvola pilota al corpo della valvola principale **23** con le viti **24**. Accertarsi che l'alloggio guarnizione interfaccia sia rivolto verso l'alto con il G1 o G4 in posizione inferiore. Accertarsi che l'orientamento del pistone **11** sia corretto.
- Con il corpo della valvola principale **23** nella stessa posizione, montare la rondella di posizione verde **17** sul lato sinistro del complessivo valvola.
- Partendo dal lato destro della valvola, montare alternativamente gli "O" ring **8** e i distanziatori **15** (6 guarnizioni e 5 distanziatori in tutto), inserendo all'ultimo la rondella di posizione bianca **14**.
- Lubrificare leggermente la bobina **16** con del grasso CENTOPLEX 2 fornito nel corredo di manutenzione, ed infilarla nella fila di guarnizioni e distanziatori.
- Montare gli "O" ring **9 e 7** ai rispettivi pistoni **18 e 12**; montare gli "O" ring **6** alle estremità del corpo della valvola principale **23**.
- Inserire i pistoni nei cappucci delle estremità **25 e 22** e montare i cappucci sulla valvola, facendo attenzione a inserire gli steli dei pistoni nei fori alle estremità della bobina **16**.
- Assicurare i complessivi cappucci estremità al corpo della valvola principale **23** con le viti **26 e 21**.
- Situare gli "O" ring **4** interfaccia nei loro alloggiamenti nel corpo della valvola principale.
- Se il raccordo del tubo al complessivo pilota è danneggiato, sostituire la bussola di chiusura di plastica **2** ed estrarre l'"O" ring **1** dalla cartuccia **27**.
- Sostituire l'"O" ring **1** con uno nuovo ed inserire la bussola di chiusura di plastica **2** nella cartuccia **27**.

### I M P O R T A N T E

**Dopo che l'attrezzo è stato smontato e prima di metterlo in funzionamento occorre SEMPRE effettuare il rabbocco dell'olio.**

I numeri in **grassetto** si riferiscono allo schema generale ed all'elenco dei componenti riportati nella pagina a fianco.



### ELENCO PARTI VALVOLA 07005-00590

PART.	CODICE	DESCRIZIONE	QUANT.	RICAMBI	PART.	CODICE	DESCRIZIONE	QUANT.	RICAMBI
1	07005-00599	* ANELLO DI TENUTA	-	-	15	-	† DISTANZIATORE	5	-
2	07005-00598	* BUSSOLA DI CHIUSURA DI PLASTICA	-	-	16	-	† BOBINA	1	-
3	07003-00204	* "O" RING	1	-	17	-	† RONDELLA	1	-
4	07003-00103	* "O" RING	6	-	18	-	† PISTONE	1	-
5	07003-00042	* "O" RING	1	-	19	-	† CORPO	1	-
6	07003-00121	* "O" RING	4	-	20	-	† CAPPUCCIO SUPERIORE	1	-
7	08005-00127	* "O" RING	1	-	21	-	† VITE	2	-
8	07003-00105	* "O" RING	6	-	22	-	† CAPPUCCIO ESTREMITÈ	1	-
9	07003-00178	* "O" RING	1	-	23	-	† CORPO	1	-
10	07003-00017	* "O" RING	2	-	24	-	† VITE	2	-
11	-	† PISTONE	1	-	25	-	† CAPPUCCIO ESTREMITÈ	1	-
12	-	† PISTONE	1	-	26	-	† VITE	2	-
13	07005-00590	COMPLESSIVO VALVOLA	-	-	27	-	† CARTUCCIA	1	-
14	-	† RONDELLA	1	-					

\* Queste parti formano insieme il Corredo di Manutenzione della valvola, con l'aggiunta del grasso CENTOPLEX 2: tale corredo è disponibile presso la Avdel, codice parte 07005-01538.

† Ricambio non disponibile

# Rabbocco Olio

È SEMPRE necessario eseguire il rabbocco dell'olio dell'attrezzo dopo averlo smontato e prima di utilizzarlo nuovamente. Inoltre potrebbe essere necessario ripristinare la corsa completa, dopo un periodo prolungato d'uso, perché questa potrebbe essersi ridotta e i rivetti non vengono piazzati completamente con una sola operazione del grilletto.

## Caratteristiche Olio Rabbocco

The recommended oil for priming is Hyspin VG32 and AWS 32 available in 0.5l (part number 07992-00002) or one gallon containers (part number 07992-00006). Please see safety data below.

## Scheda Tecnica di Sicurezza Olio Hyspin VG 32 e AWS 32

### Pronto soccorso

#### PELLE:

Lavare a fondo con acqua e sapone non appena possibile. Il contatto casuale non richiede attenzione medica immediata. Il contatto per periodi brevi non richiede attenzione medica immediata.

#### INGESTIONE:

Consultare immediatamente un medico. NON indurre il vomito.

#### OCCHI:

Irrigare immediatamente con acqua per diversi minuti. Anche se NON si tratta di una sostanza irritante primaria, si potrà verificare un'irritazione minore dopo il contatto.

### Incendio

Metodi di spegnimento d'incendio adatti: CO<sub>2</sub>, polvere asciutta, schiuma o nebbiolina d'acqua. NON usare getti d'acqua.

### Protezione dell'ambiente

ELIMINAZIONE DEL PRODOTTO: Tramite una ditta d'appalto appositamente abilitata in un luogo di raccolta apposito. Può essere incenerito. Il prodotto usato può essere inviato per il riciclo.

TRABOCCHI: Evitare che il prodotto entri negli scarichi, nelle fognature e nei corsi d'acqua. Assorbire con materiale apposito assorbente.

### Maneggiamento

Utilizzare protezioni oculari, guanti resistenti (per es. di PVC) ed un grembiule di plastica. Usare in aree ben ventilate.

### Immagazzinaggio

Non sono necessarie precauzioni particolari.

## Procedura di Rabbocco

### IMPORTANT E

**NON PREMERE IL GRILLETTO QUANDO LA VITE DI SPURGO NON È AVVITATA NELL'ATTREZZO**  
**La procedura completa va svolta su un banco di lavoro pulito, con le mani pulite e in un luogo pulito.**  
**Accertarsi che l'olio di rabbocco sia perfettamente pulito e privo di bolle d'aria.**  
**ACCERTARSI SEMPRE che nell'attrezzo non penetrino corpi estranei, altrimenti potranno verificarsi danni gravi.**

- Togliere la vite **2** e la guarnizione **1** dalla copertura di plastica **4** del serbatoio intensificatore.
- Versare l'olio di rabbocco nel serbatoio finché il suo livello non arriva a 12 mm dalla sommità.
- Rimontare la vite **2** e la guarnizione **1**.
- Collegare l'intensificatore all'alimentazione dell'aria. Svitare la vite del serbatoio.
- Con la pistola fissata all'intensificatore e posizionata inferiormente allo stesso, svitare la vite foro di spurgo **58** del gruppo tappo di spurgo **2** dell'attrezzo 07530 Mk II, o la vite foro di spurgo **66** del gruppo tappo di spurgo **30** dell'attrezzo 07532 Mk II, di due giri e lasciare fuoriuscire l'olio.
- Quando l'olio scorre liberamente e senza bolle d'aria, serrare la vite foro di spurgo.
- Riempire il serbatoio dell'intensificatore con olio di rabbocco.
- Far effettuare alcuni cicli di lavoro all'attrezzo finché le bolle d'aria presenti nell'olio non vengono espulse nel serbatoio dell'olio.

I numeri in **grassetto** si riferiscono allo schema generale e agli elenchi dei componenti riportati alle pagine 142-149.

SINTOMO	CAUSA POSSIBILE	SOLUZIONE	PAG. DI RIF.
L'attrezzo non mette i rivetti in posizione.	Pressione aria insufficiente.	Aumentare pressione aria.	150
	Mancanza di lubrificazione.	Lubrificare l'attrezzo al punto di presa dell'aria.	
	Carico di brocciatura eccessiva.	Controllare il serraggio del rivetto e la dimensione del foro dell'applicazione.	
	Controllare la dimensione del mandrino.		
	Ganasce usurate o rotte.	Ganasce nuove.	
	Le ganasce sono spente.	Accendere le ganasce.	
Aria nel circuito idraulico.	Vedere "Procedura di Rabbocco".		
"Il mandrino scivola" - le ganasce non afferrano il mandrino.	Ganasce usurate o sporche.	Pulire o sostituire se necessario.	
	Pressione/volume aria insufficiente.	Aumentare la pressione/il volume dell'aria.	
	Pulsante serraggio ganasce non utilizzabile.	Sostituire il pulsante.	
	Perdita aria alle ganasce.	Sostituire "O" ring del pistone <b>8</b> .	
	Mandrino rotto che non tocca le ganasce.	Sostituire il mandrino.	
	Valvola di ritegno difettosa.	Sostituire valvola di ritegno.	
Le ganasce non lasciano andare il mandrino.	Ganasce o sede ganasce sporche.	Pulire e lubrificare.	
	Pulsante serraggio ganasce guasto.	Sostituire "O" ring	
I rivetti non passano attraverso la testata.	Ganasce non serrate.	Accendere le ganasce.	123
	Ganasce usurate.	Sostituire le ganasce.	
	Orientamento errato cursore.	Rimontare, assicurandosi che sia orientato in maniera corretta.	
	Cursore incorretto	Montare il cursore giusto	
	Testata non compatibile.	Montare testata corretta.	
	Molla mandrino non montata.	Montare la molla di tipo giusto.	
	Distanza errata tra la testa del rivetto e la testata quando caricato.	Regolare la distanza a 1,5 mm - 3 mm. (1/16" - 1/8"). Vedere "Caricare l'attrezzo".	
	Cursore inceppato.	Pulire e lubrificare il cursore.	
	Molla esterna debole intorno al cursore.	Sostituire il cursore.	
	Molla mandrino montata in maniera errata.	Montare la molla adatta.	
Le ganasce si usurano eccessivamente.	Carico di brocciatura elevato.	Controllare le dimensioni del foro dell'applicazione e lo spessore e le capacità di fissaggio del rivetto.	
Caricamento di più di un rivetto alla volta.	Mandrino scivola.	Controllare come per "Il mandrino scivola" punto 2.	123
	Distanza errata tra la testa del rivetto e la testata quando caricato.	Regolare la distanza a 1,5 mm - 3 mm. (1/16" - 1/8"). Vedere "Caricare l'attrezzo".	

In caso di malfunzionamenti o inconvenienti non inclusi, rivolgersi al proprio distributore autorizzato o centro riparazioni Avdel locale.

# Note

---





# Note

---

# Dichiarazione di conformità

Noi, Avdel UK Limited; Watchmead Industrial Estate, Welwyn Garden City, Hertfordshire, AL7 1LY,  
Gran Bretagna, dichiariamo sotto la nostra esclusiva responsabilità che il prodotto:

**Model 0753 MkII type 07530 - 07532 models**

N° di serie attrezzo (pistola)

N° di serie intensificatore

al quale si riferisce la presente dichiarazione, è conforme ai seguenti standard:

EN ISO 12100 - parti 1 e 2

BS EN ISO 8662 - parte 6

BS EN ISO 3744

ISO EN 792 - parte 13-2000

BS EN ISO 11202

BS EN 982

BS EN 983

a norma delle disposizioni della Direttiva macchine 98/37/EC



A. Seewraj - Responsabile Ingegneria della Produzione - Strumenti di Automazione

Data di emissione

[Redacted date]



**La presente scatola contiene un attrezzo oleopneumatico  
conforme alla direttiva relativa alle macchine 98/37/EC. La  
"Dichiarazione di conformità" prevista è contenuta internamente.**



An Acument™ Global Technologies Company

**AUSTRALIA**

**Acument Australia Pty Ltd.**

891 Wellington Road  
Rowville, Victoria 3178  
Tel: +61 3 9765 6400  
Fax: +61 3 9765 6445  
Email: info@acument.com.au

**CANADA**

**Avdel Canada, a Division of Acument**

**Canada Limited**

87 Disco Road  
Rexdale  
Ontario M9W 1M3  
Tel: +1 416 679 0622  
Fax: +1 416 679 0678  
Email: infoAvdel-Canada@acument.com

**CHINA**

**Acument China Ltd.**

RM 1708, 17/F., Nanyang Plaza,  
57 Hung To Rd., Kwun Tong  
Hong Kong  
Tel: +852 2950 0631  
Fax: +852 2950 0022  
Email: infochina@acument.com.

**FRANCE**

**Avdel France S.A.S.**

33 bis, rue des Ardennes  
BP4  
75921 Paris Cedex 19  
Tel: +33 (0) 1 4040 8000  
Fax: +33 (0) 1 4208 2450  
Email: AvdelFrance@acument.com

**GERMANY**

**Avdel Deutschland GmbH**

Klusriede 24  
30851 Langenhagen  
Tel: +49 (0) 511 7288 0  
Fax: +49 (0) 511 7288 133  
Email: AvdelDeutschland@acument.com

**ITALY**

**Avdel Italia S.r.l.**

Viale Lombardia 51/53  
20047 Brugherio (MI)  
Tel: +39 039 289911  
Fax: +39 039 2873079  
Email: vendite@acument.com

**JAPAN**

**Acument Japan Kabushiki Kaisha**

Center Minami SKY,  
3-1 Chigasaki-Chuo, Tsuzuki-ku,  
Yokohama-city, Kanagawa Prefecture  
Japan 224-0032  
Tel: +81 45 947 1200  
Fax: +81 45 947 1205  
Email: info@acument.co.jp

**SINGAPORE**

**Acument Asia Pacific (Pte) Ltd.**

#05-03/06 Techlink  
31 Kaki Bukit Road 3  
Singapore, 417818  
Tel: +65 6840 7431  
Fax: +65 6840 7409  
Email: Tlim@acument.com

**SOUTH KOREA**

**Acument Korea Ltd.**

212-4, Suyang-Ri,  
Silchon-Eup, Kwangju-City,  
Kyunggi-Do, Korea, 464-874  
Tel: +82 31 798 6340  
Fax: +82 31 798 6342  
Email: info@acumentkorea.com

**SPAIN**

**Avdel Spain S.A.**

C/ Puerto de la Morcuera, 14  
Poligono Industrial Prado Overa  
Ctra. de Toledo, km 7,8  
28919 Leganés (Madrid)  
Tel: +34 (0) 91 3416767  
Fax: +34 (0) 91 3416740  
Email: ventas@acument.com

**UNITED KINGDOM**

**Avdel UK Limited**

Pacific House  
2 Swiftfields  
Watchmead Industrial Estate  
Welwyn Garden City  
Hertfordshire  
AL7 1LY  
Tel: +44 (0) 1707 292000  
Fax: +44 (0) 1707 292199  
Email: enquiries@acument.com

**USA**

**Avdel USA LLC**

614 NC Highway 200 South  
Stanfield,  
North Carolina 28163  
Tel: +1 704 888-7100  
Fax: +1 704 888-0258  
Email: infoAvdel-USA@acument.com

© Avdel UK Limited 2007

Manual No.	Issue	Change Note No.
07900-00724	AA	04/088
	B	07/044
	B2	07/103

Avdel®, Avdel® SR, Avex®, Avibulb®, Avinox®, Avseal®, Bulbex®, Interlock®, MBC®, MBC®/LC, Monobolt®, Q-Rivet™, Stavex®, T-Lok®, TLR® are trademarks of Avdel UK Limited.

www.avdel-global.com